



# FOREVER REDWOOD

*From the Forest, For the Forest since 1995*

---

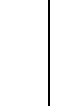
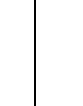
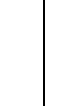

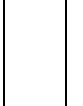
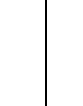
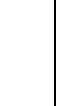


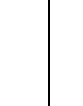



866.332.2403 (TOLL FREE); 7am – 7pm Pacific Time, Monday-Saturday

## ASSEMBLY INSTRUCTIONS FOR THE **ARCHED PERGOLA KITS**






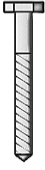
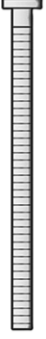

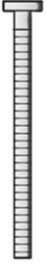


**CONTENT OF BOXES**

Qty.	Description	Drawing	No.
4	Posts		1
2	Single Supports		2
2	Supports with In-Between Blocking		3
Quantity will vary.	Arched Rafters		4
4	Main Knee Braces		5
4	Secondary Knee Braces		6
Quantity will vary.	Central Slats		7
Quantity will vary.	Perimeter Slats		8
Quantity will vary.	Roof Lattice Panels		9
4	Boots		10
4	Standard, Gale Wind or Hurricane Anchors Bases. <b>If ordered.</b>		Standard
			Gale Wind
			Hurricane

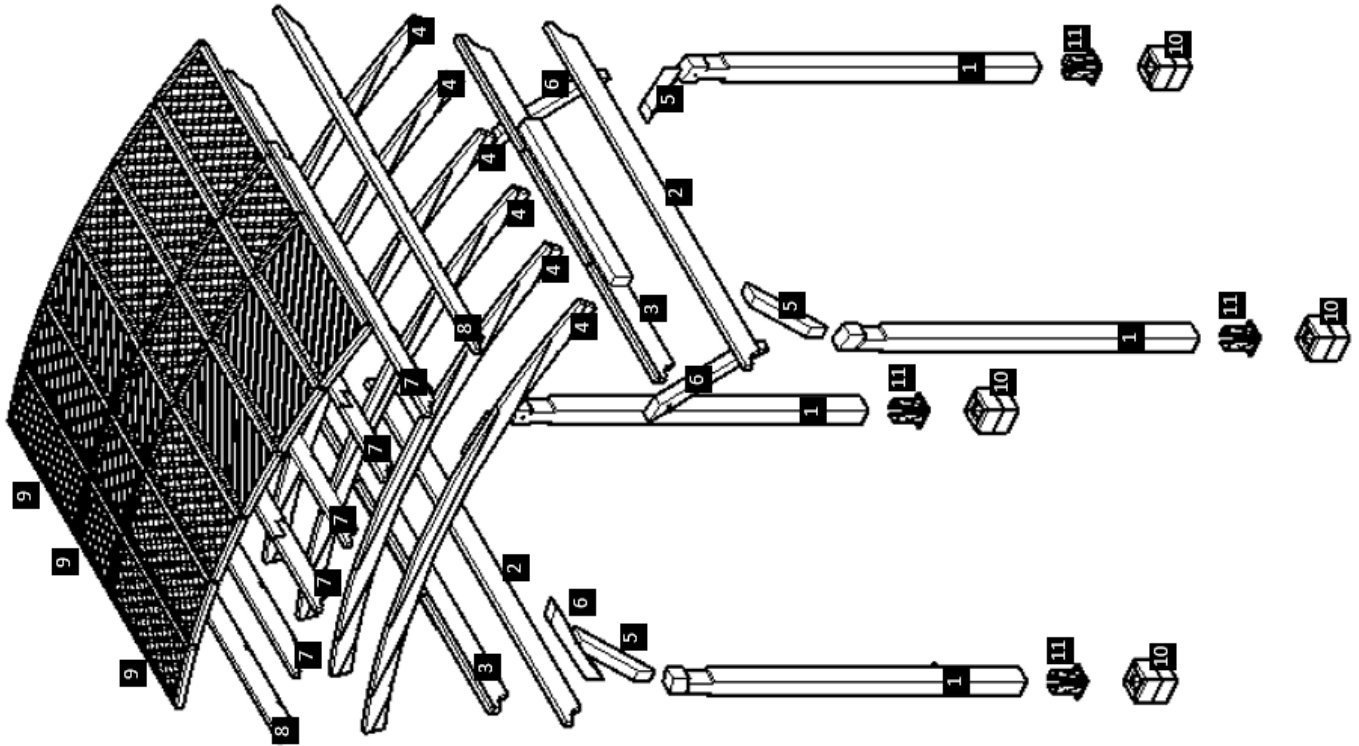
**Note:** Part numbers in the Content of Boxes Table are for reference only. These do not match to the numbers marked on the parts sent.



## HARDWARE LIST

Description	Drawing	No.
<p><b>1/2" X 4" Anchor Bolts</b> (To attach the anchor bases to the ground).</p>		A
<p><b>5/16" X 3" Lag Bolts</b> (To attach the anchor bases to the post).</p>		B
<p><b>3/8" X 6 1/2" Bolts</b> (To attach the single supports to the posts and to the supports with in-between blocking / To attach the main knee braces to the supports).</p>		C
<p><b>3/8" X 6" Bolts</b> (To attach the arched rafters to the posts).</p>		D
<p><b>5/16" X 5" Bolts</b> (To attach the secondary knee braces to the arched rafters).</p>		E
<p><b>3/8" X 9" Bolts</b> (To attach the knee braces to the posts).</p>		F
<p><b>3" Deck Screws</b> (To attach the arched rafters to the supports/ To attach the slats to the arched rafters / To attach the lattice panels roof to the arched rafters / To attach the boots to the Post).</p>		G

**Note:** Dimensions of your hardware will vary depending on size.

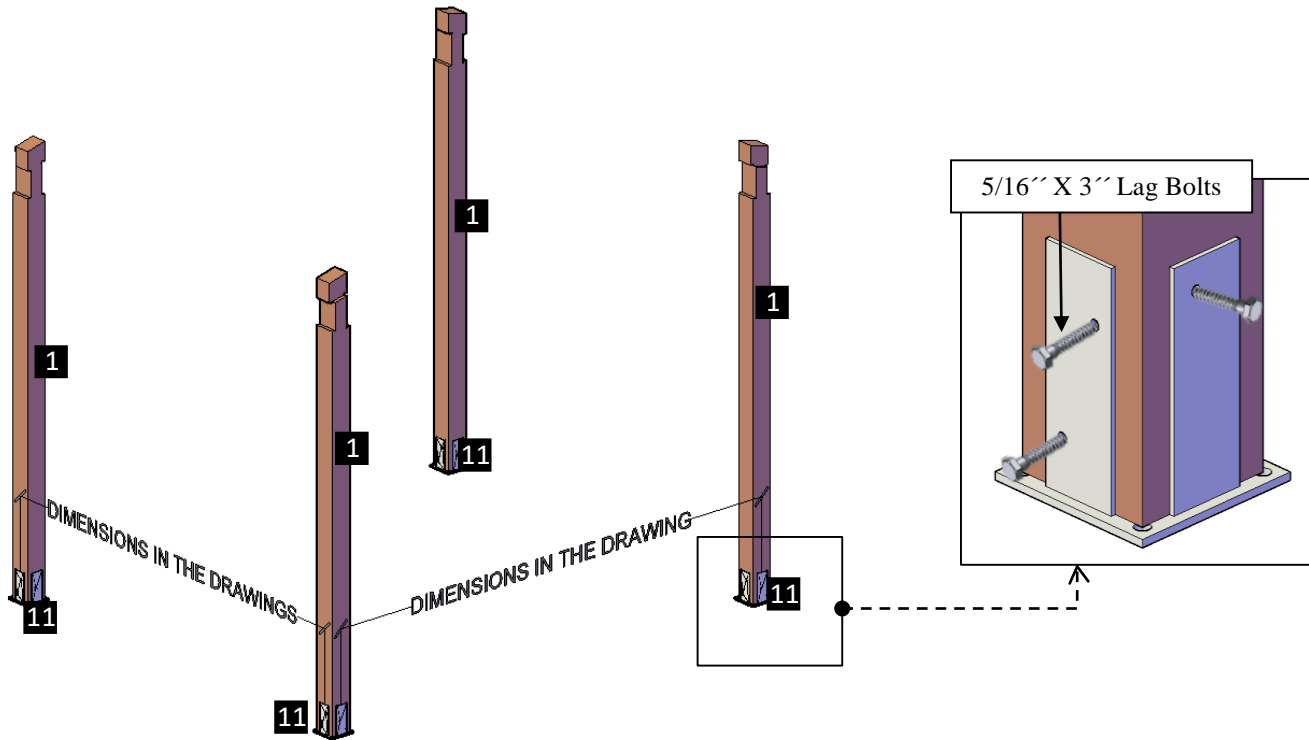


DESCRIPTION	No.
Posts	1
Single Supports	2
Supports With In-Between Blocking	3
Arched Rafters	4
Main Knee Braces	5
Secondary Knee Braces	6
Central Slats	7
Perimeter Slats	8
Roof Lattice Panels	9
Boots	10
Anchor Bases	11

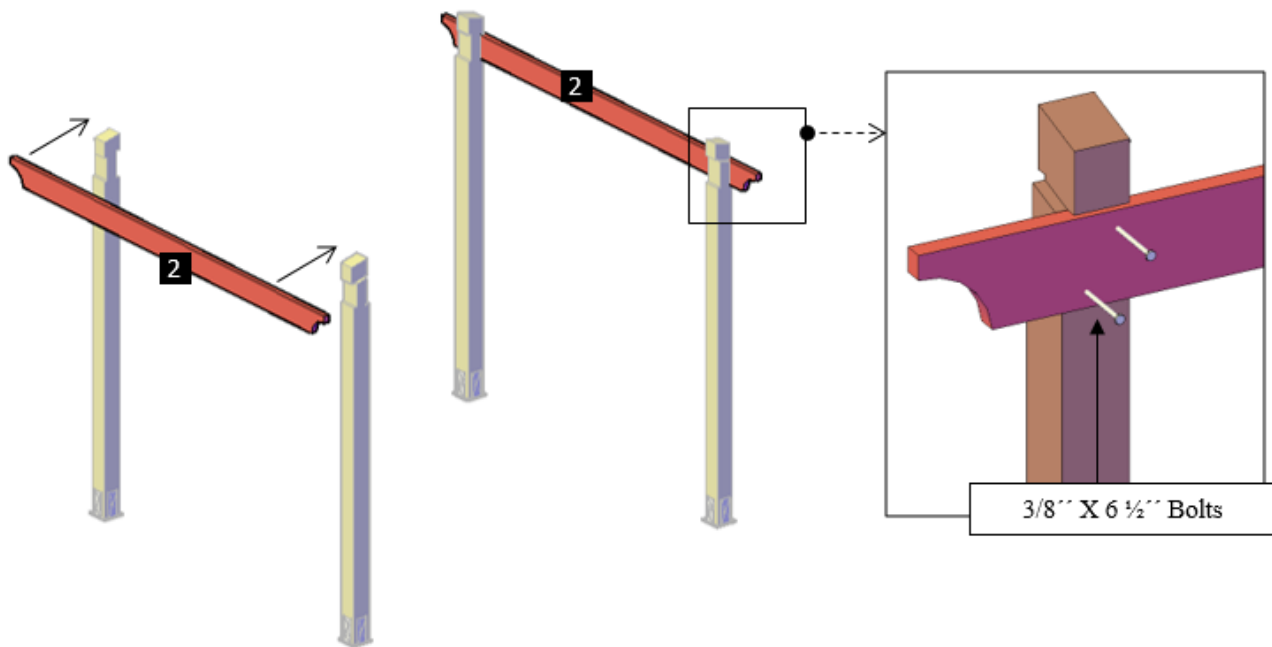
**Note:** Part numbers in the Drawing are for reference only. These do not match to the numbers marked on the parts sent.

**NOTE:** In order to know where the post needs to be placed, check the numbers on them. If the post is not marked, then place the single Supports on the ground to locate the markings for each post position and clearly set your bearings. (“Don’t attach yet, only place them on the ground to begin with”).

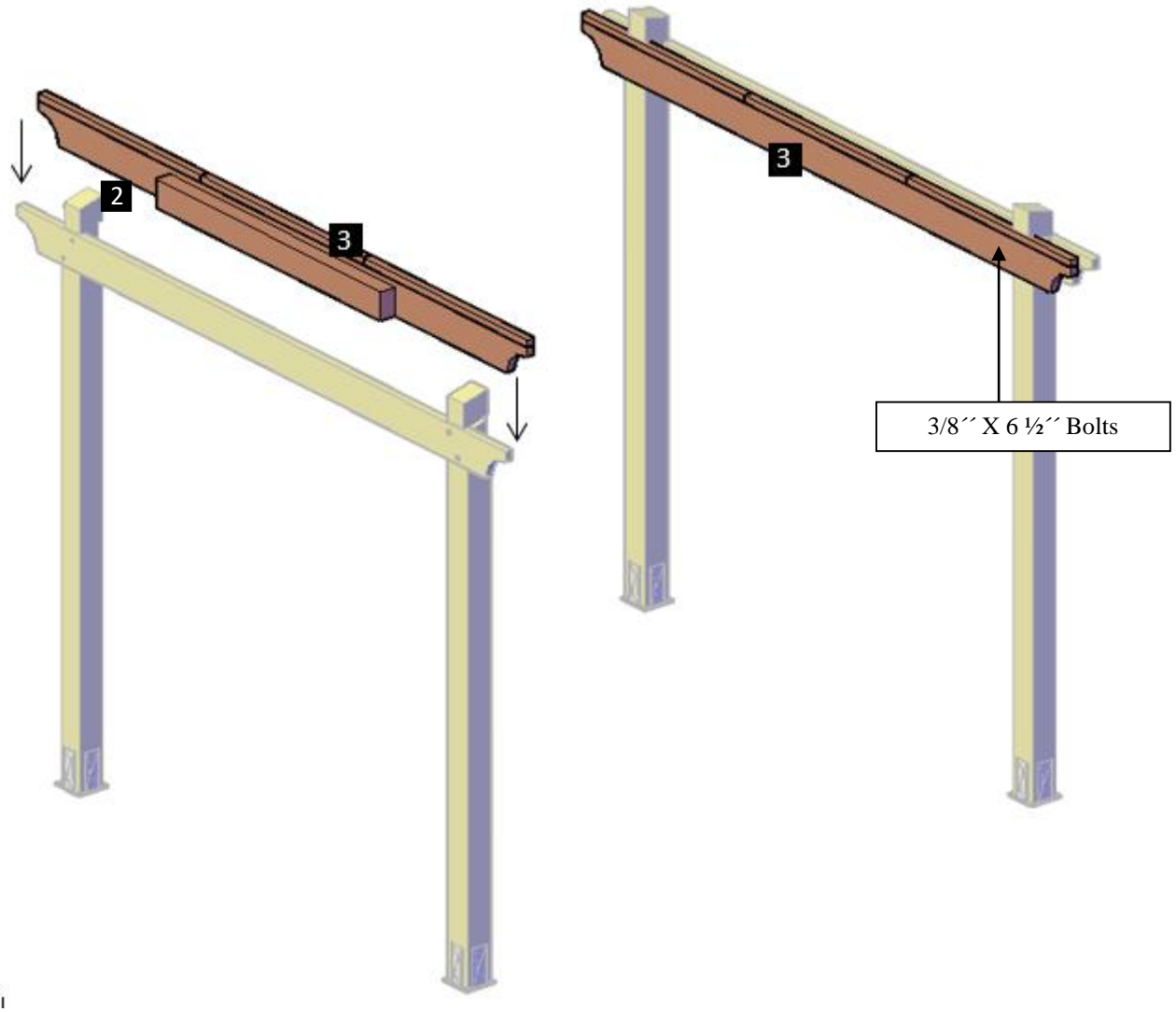
**Step 1:** Install the anchor base (11) with  $\frac{1}{2}$ " X 4" anchor bolts (A) or lag bolts. Please see the “How to anchor your pergola document” for all details. Set your post (1) in the saddle of the anchor bases (11). Drill a  $\phi$   $\frac{1}{4}$ " hole in the post prior to anchoring to facilitate the ratcheting of the hardware. After that, use a  $\frac{5}{16}$ " X 3" lag bolts (B) to attach each post to the its respective anchor base (11).



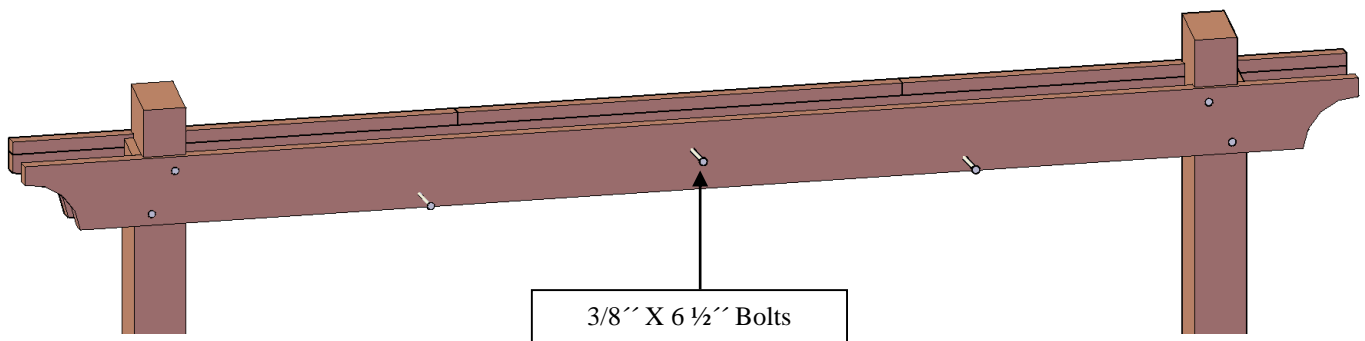
**Step 2:** First attach the single supports (2) to posts (1) with  $\frac{3}{8}$ " X 6  $\frac{1}{2}$ " bolts (C). Each part has a series of numbers that indicate where to attach the part with the corresponding number.



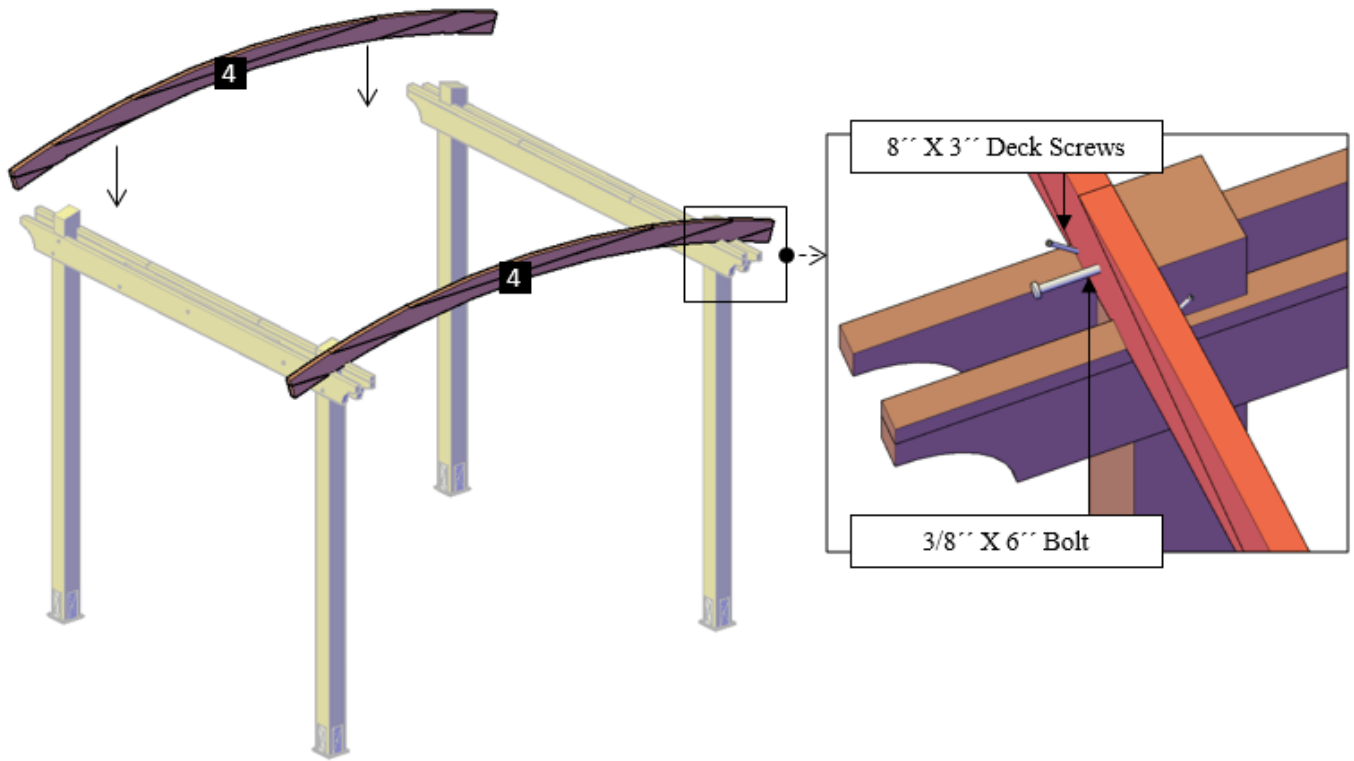
**Step 3:** Place the supports with in-between blocking (3), into the post notches as shown and attach to the post with the single support bolts. (C). Each part has a series of numbers that indicate where to attach the part with the corresponding number.



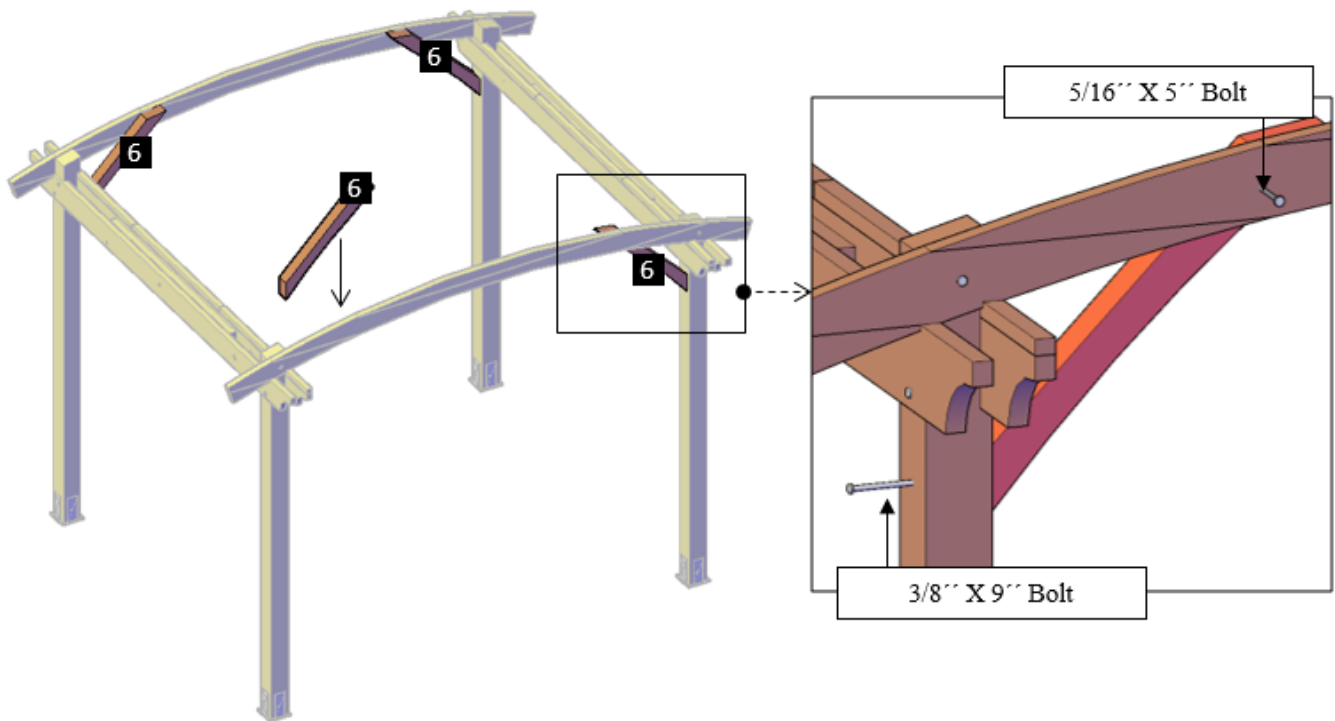
**Step 4:** Attach the single supports (2) to the supports with in-between blocking (3), use 3/8'' X 6 1/2'' bolts (C). The quantity of bolts depends on the length of the supports.



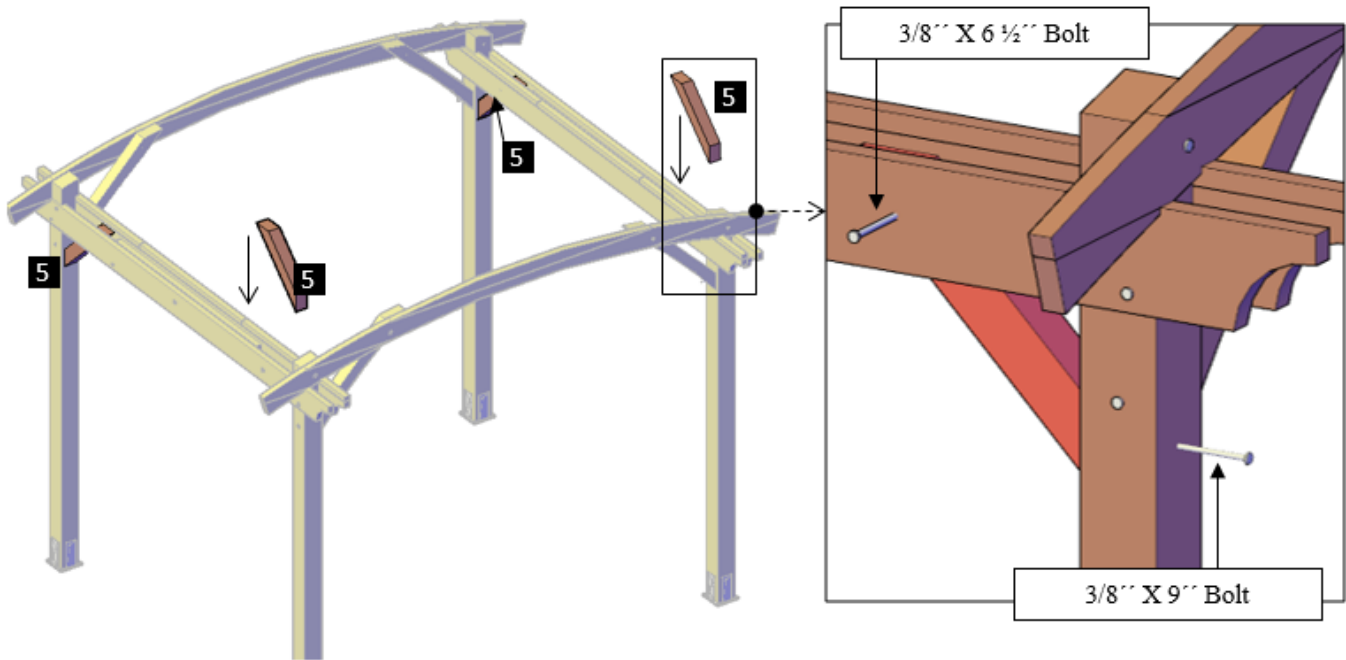
**Step 5:** Attach the perimeter arched rafters first (4) to the posts with 3/8" x 6" bolts (D) and to the supports with 8" x 3" deck screws (G). Each part has a series of numbers that indicate where to attach the part with the corresponding number.



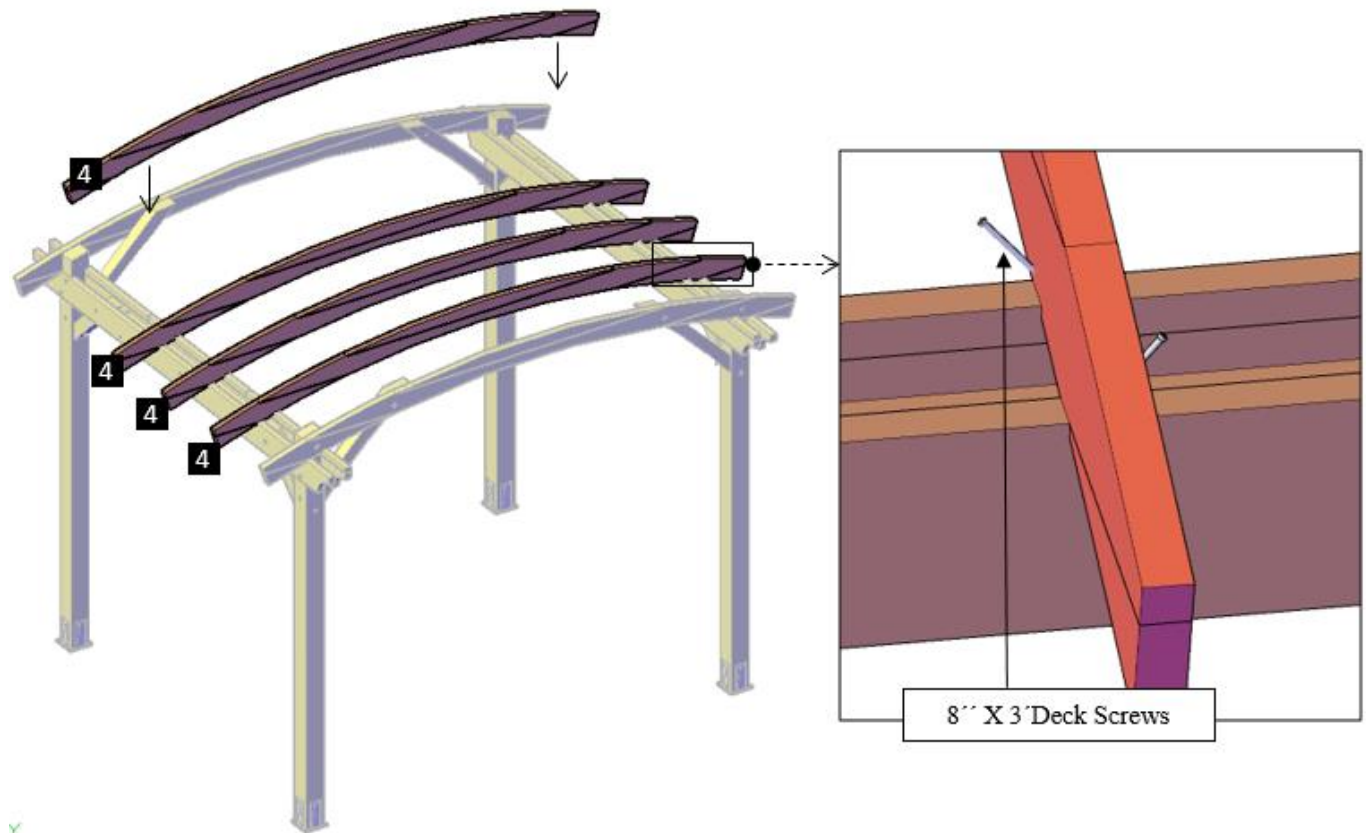
**Step 6:** Attach the secondary knee braces (6) to the posts with 3/8" x 9" bolts (F) and to the arched rafters with 5/16" x 5" bolts (E). Each part has a series of numbers that indicate where to attach the part with the corresponding number.



**Step 7:** Attach the main knee braces (5) to the posts with 3/8" x 9" bolts (F) and to the supports with 3/8" x 6 1/2" bolts (E). Each part has a series of numbers that indicate where to attach the part with the corresponding number.

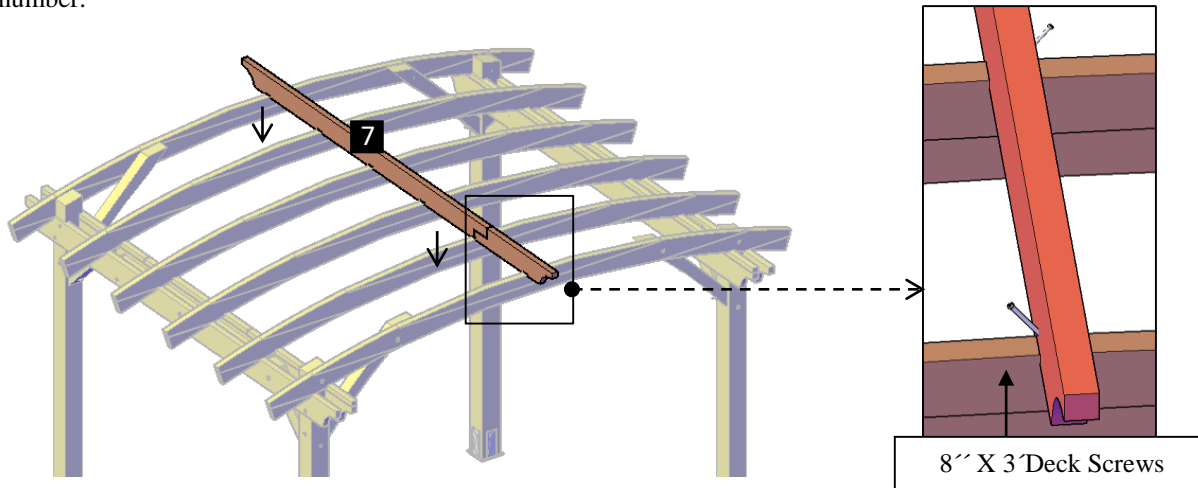


**Step 8:** Use 8" x 3" deck screws (G) to attach the other arched rafters (4) to the supports. Each part has a series of numbers that indicate where to attach the part with the corresponding number.



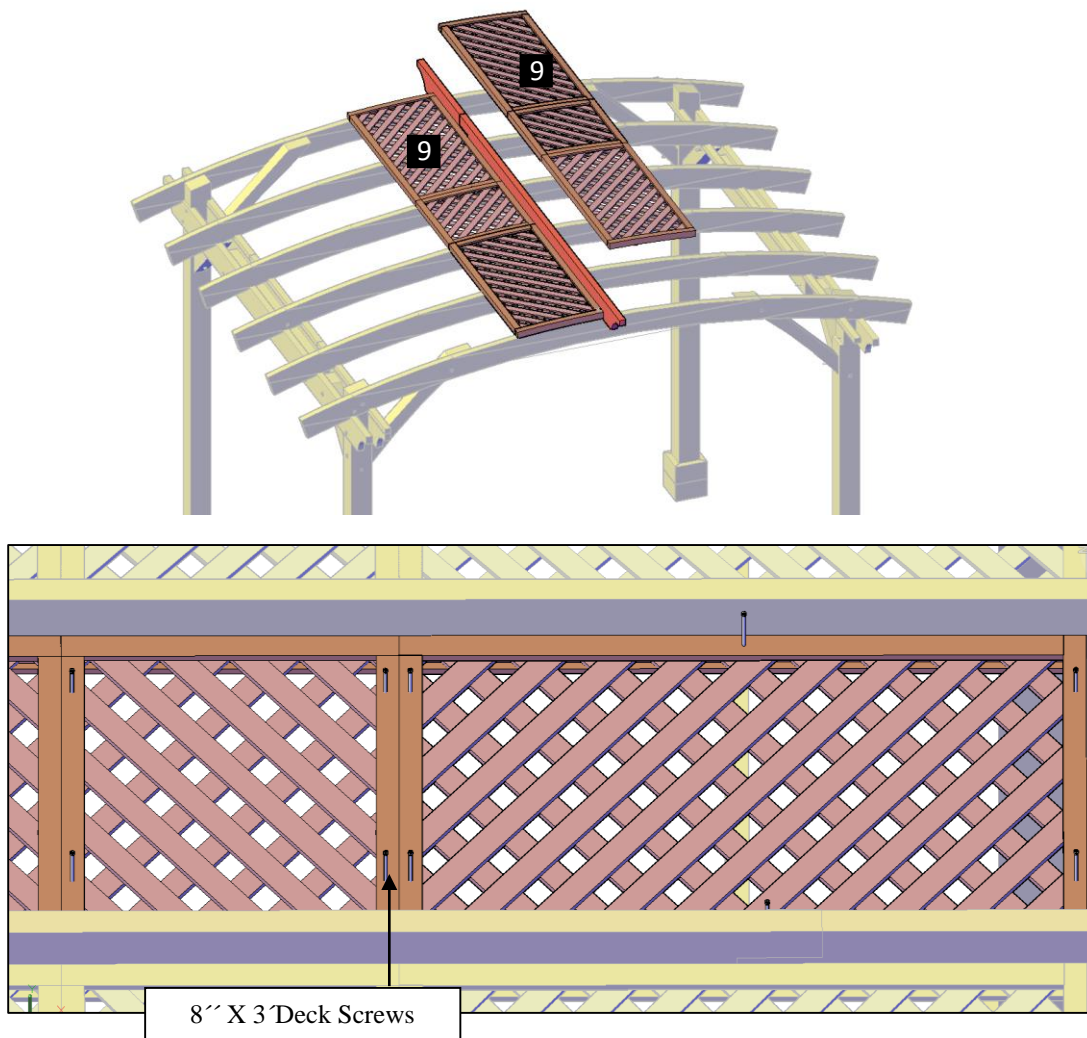


**Step 9:** Check you set of drawings and see if on the center top there is a roof lattice panel or a slat (7). You must attach this piece first with 8'' X 3'' deck screws (G). Each part has a series of numbers that indicate where to attach the part with the corresponding number.

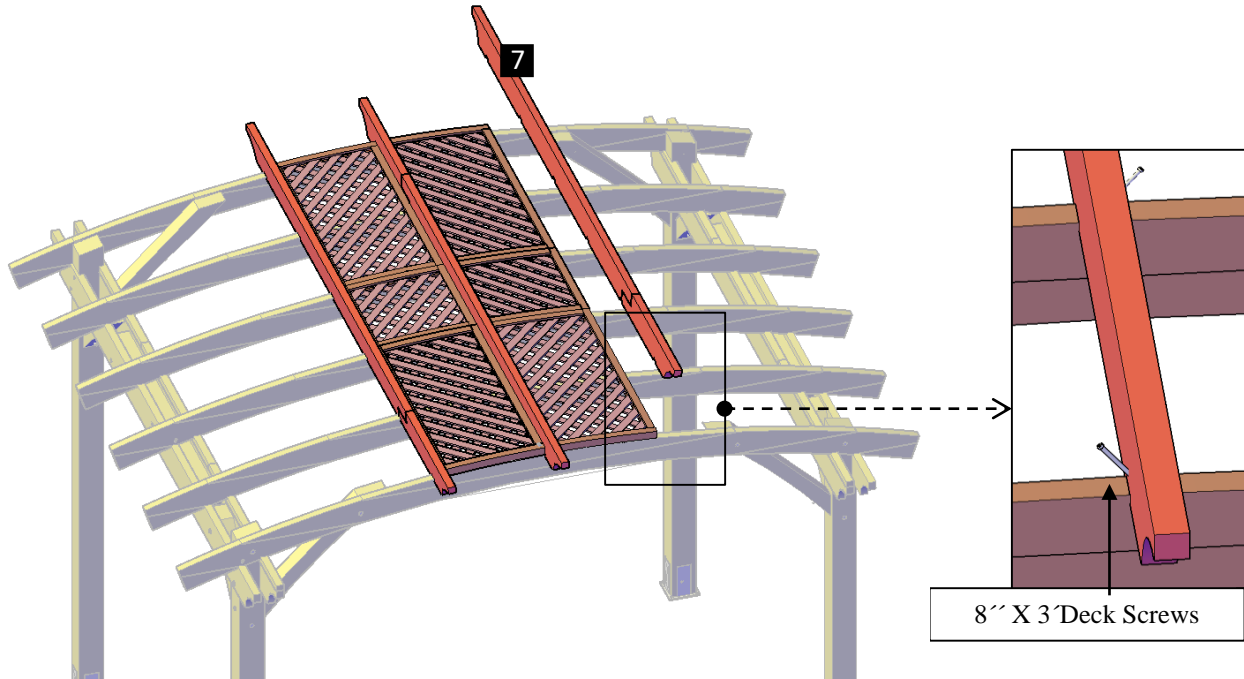


**Step 10:** Continue attaching the roof lattice panels (9) and the slats (7,8) to the arched rafters. Each part has a series of numbers that indicate where to attach the part with the corresponding number.

**Step 10.1:** Attach a row of lattice panels (9) with 8'' x 3'' deck screw (G).

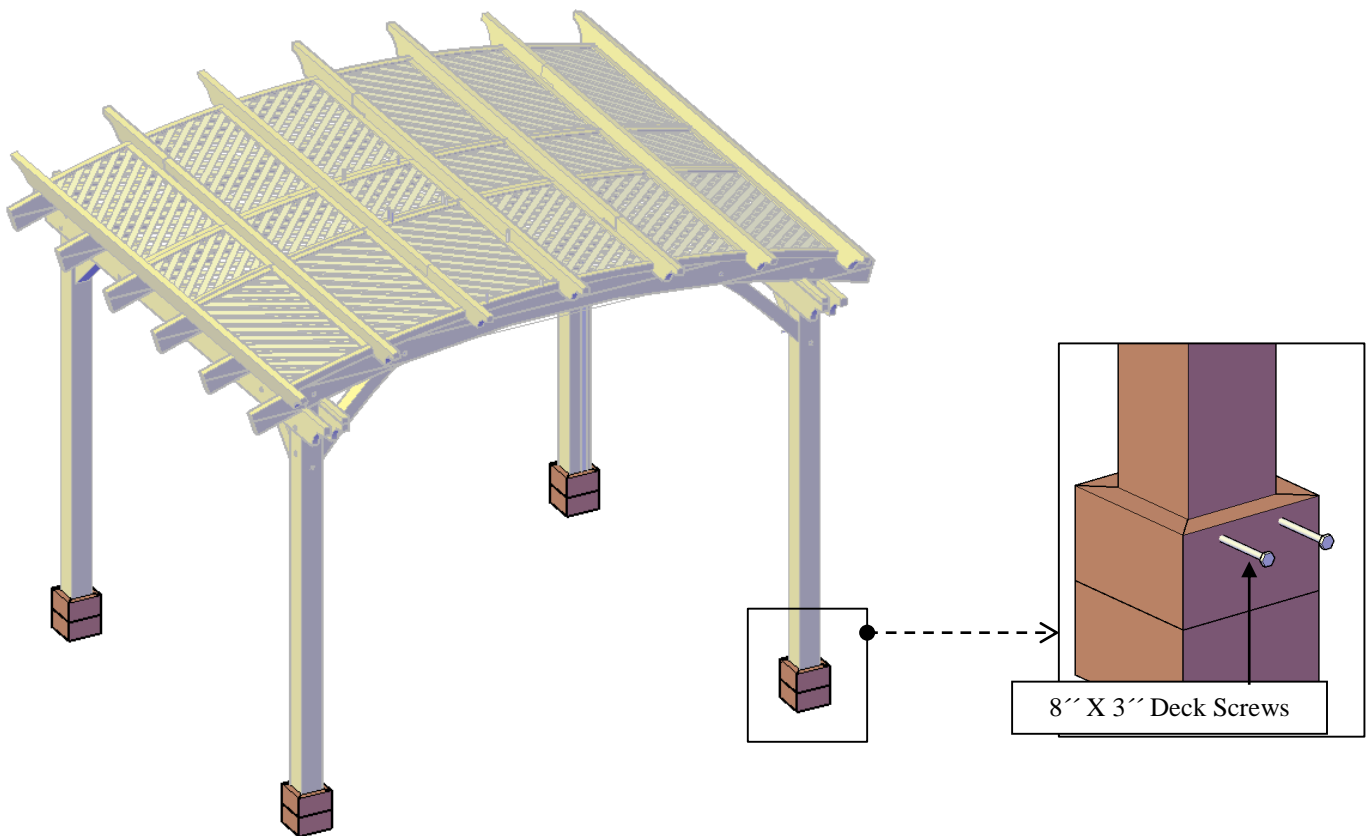


**Step 10.2:** Attach a slat (7,8) with 8'' x 3'' deck screw (G). Each part has a series of numbers that indicate where to attach the part with the corresponding number.



Repeat the operation until the installation is complete.

**11:** Finally, attach the boots (10) to the posts with 8'' x 3'' deck screws (G).

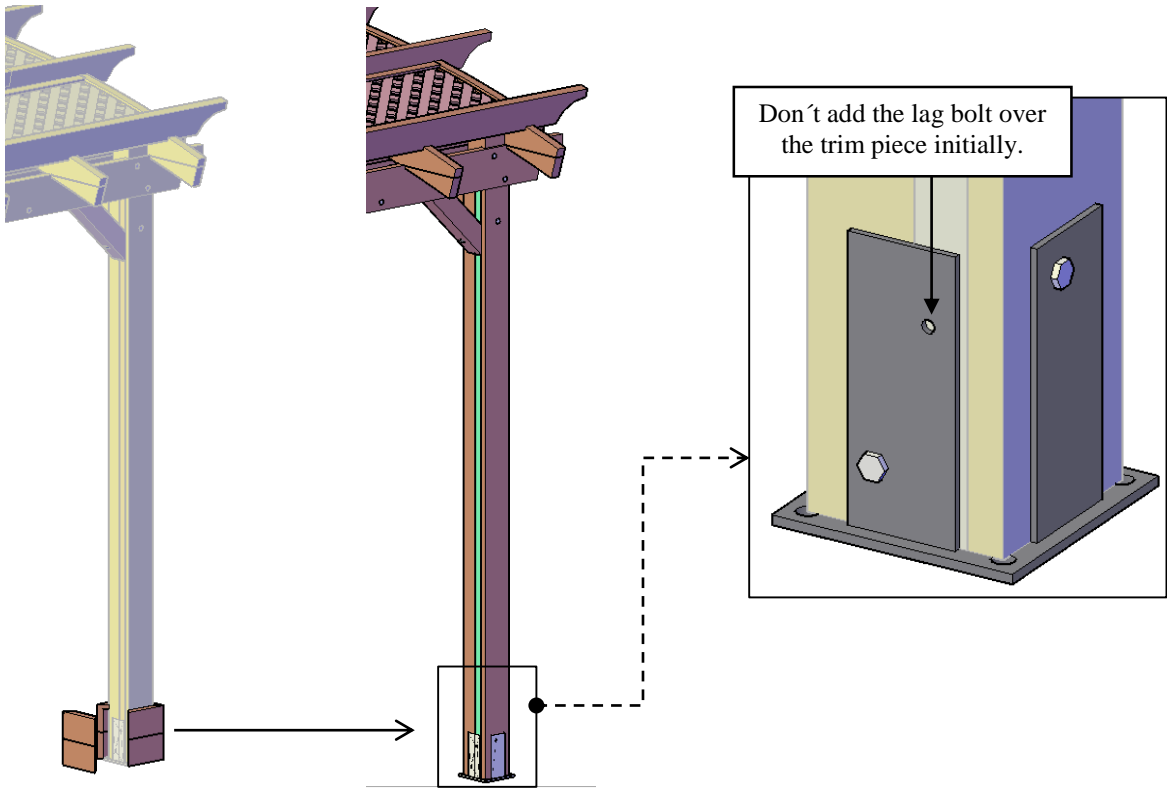




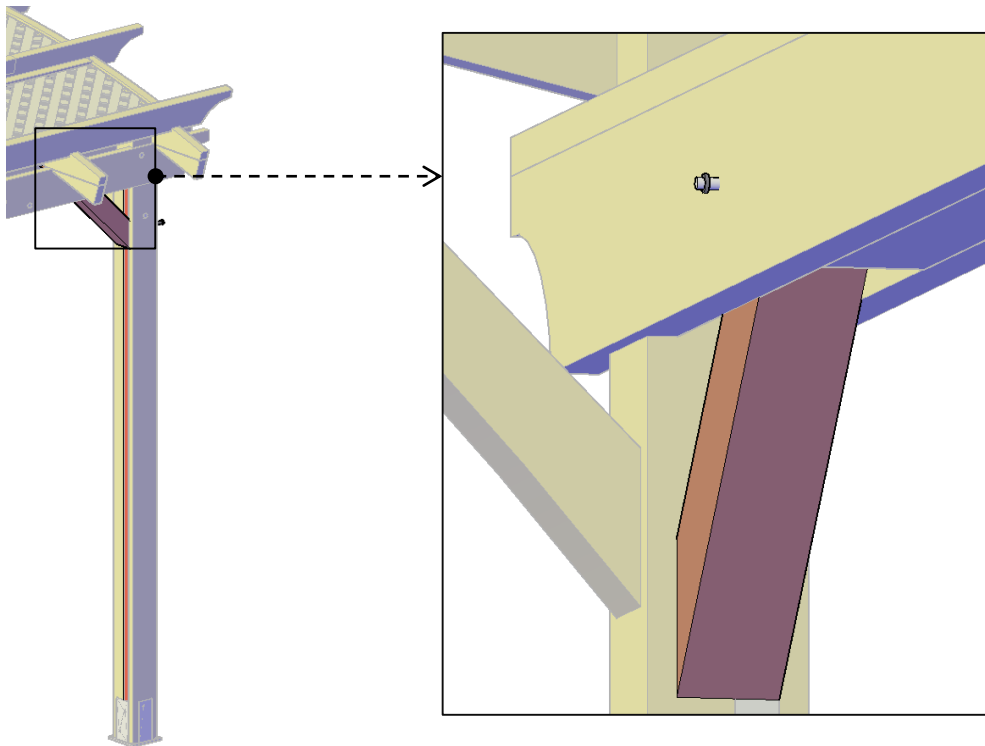
*This completes the Pergola assembly. Hope you enjoy your set for many decades. If you ever have a problem or a question, don't hesitate to call us (866 332 2403) or email us. We are here to support you.*

## HOW TO REMOVE THE ELECTRICAL WIRING TRIM FROM THE POST?

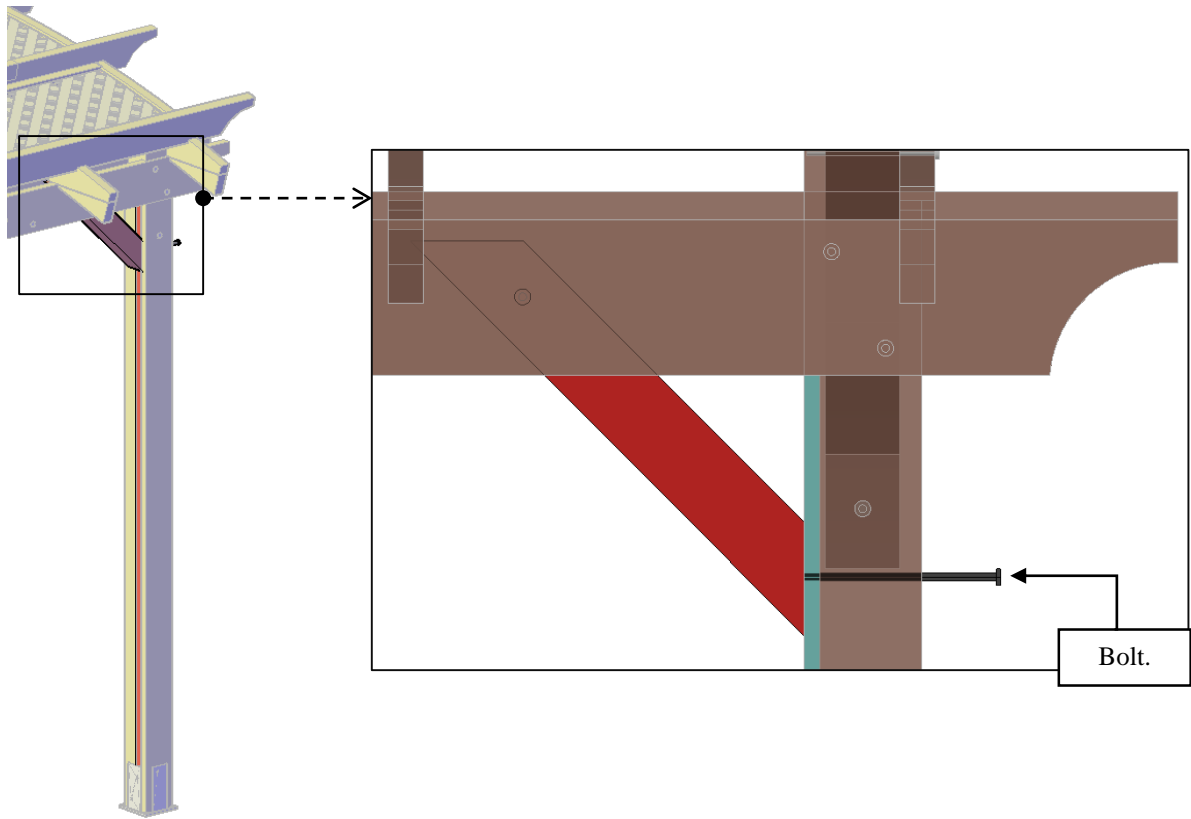
**Step 1:** First remove the deck screws to remove the boots of the post.



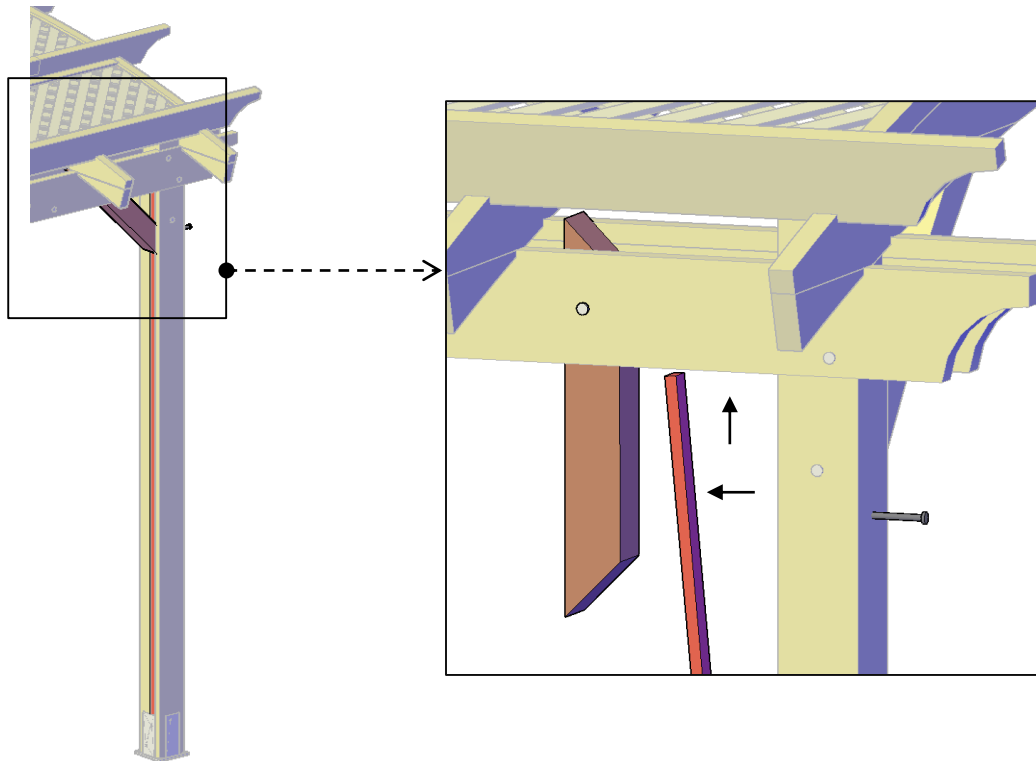
**Step 2:** Loosen the nut on the bolt support.



**Step 3:** The bolt of the post and the brace must be flush with the post.



**Step 4:** Swing the brace aside. After that, remove the trim.



*Note: The dimensions of the trim are standard, adjust if necessary.*