

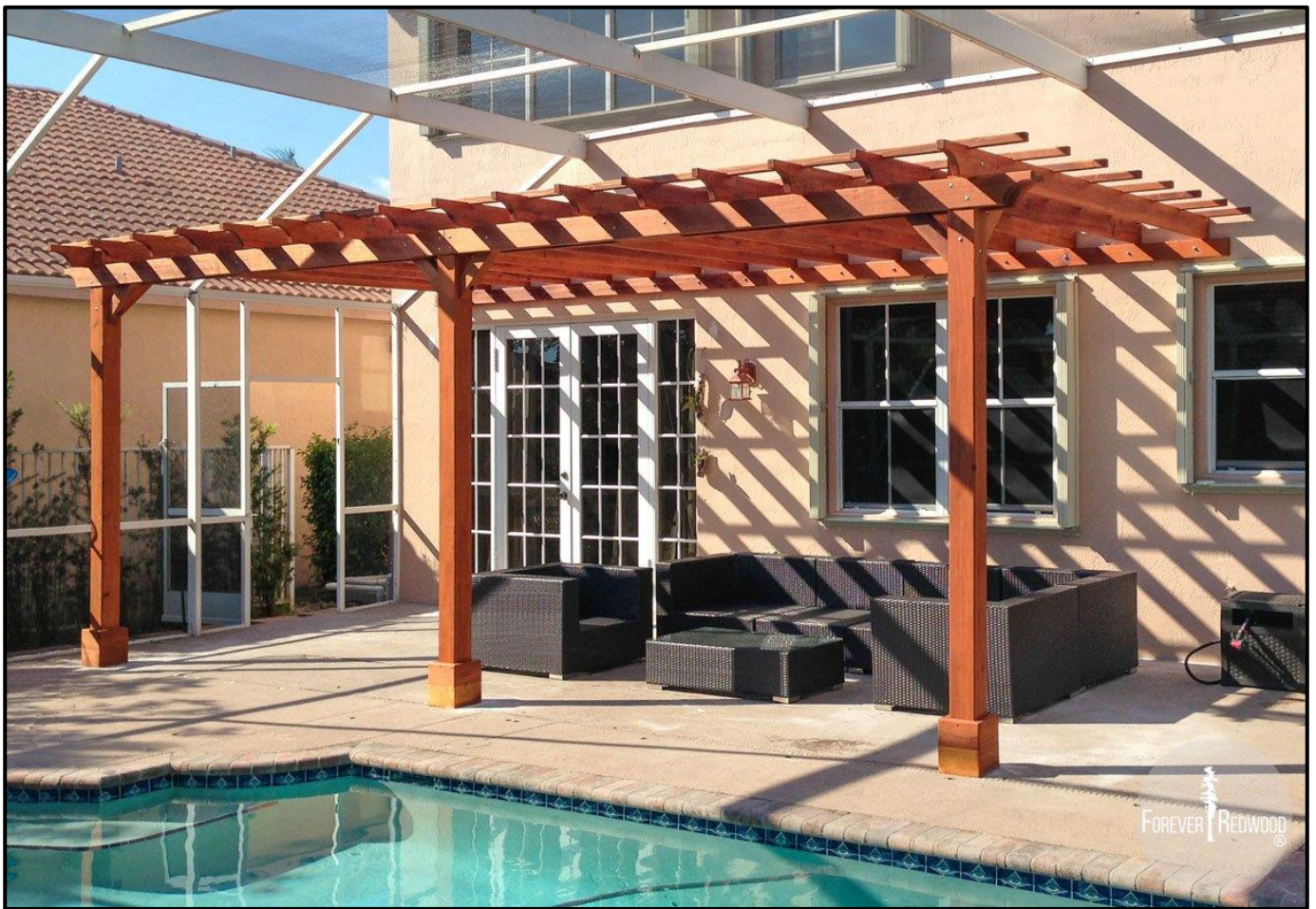


FOREVER REDWOOD

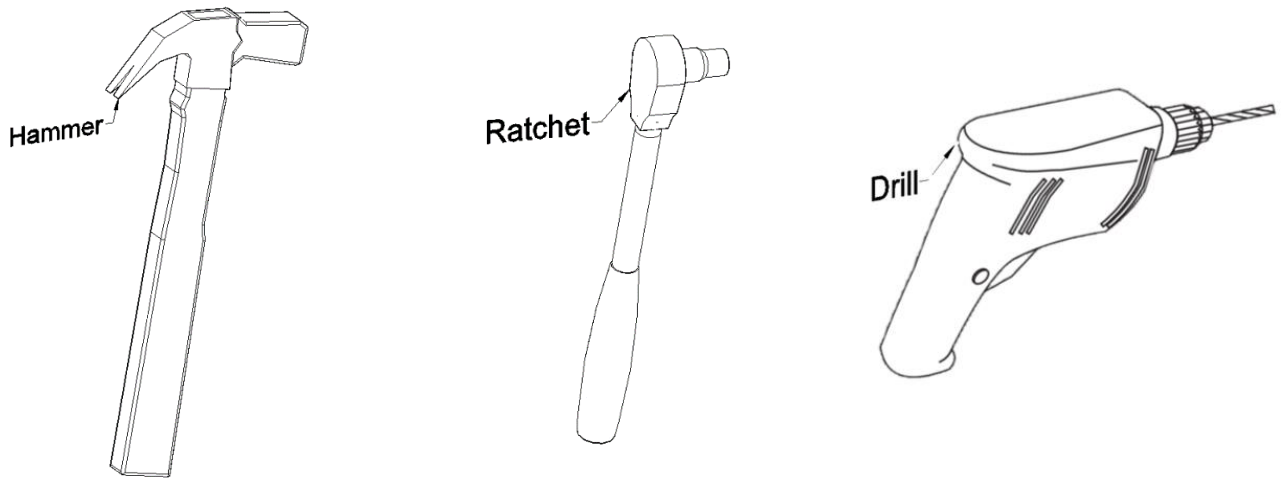
From the Forest, For the Forest since 1995

866.332.2403 (TOLL FREE) (707) 640.29.05 (Option 4) Direct Line for the Design Department; 7am – 7pm Pacific Time, Monday-Saturday

ASSEMBLY INSTRUCTIONS FOR THE ATTACHED GARDEN PERGOLA

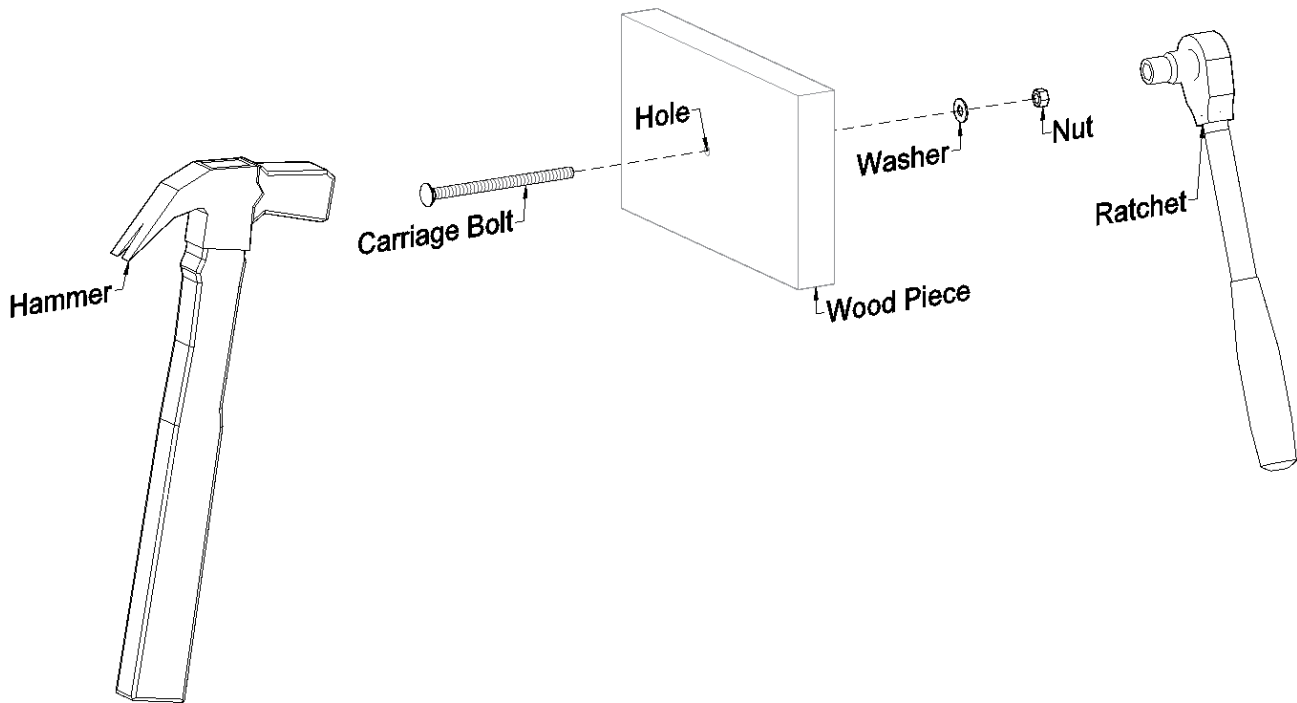


NOTE: Assembly is best done by two people. To assemble your product, you need a Hammer, a Ratch or a wrench and if required a Drill.



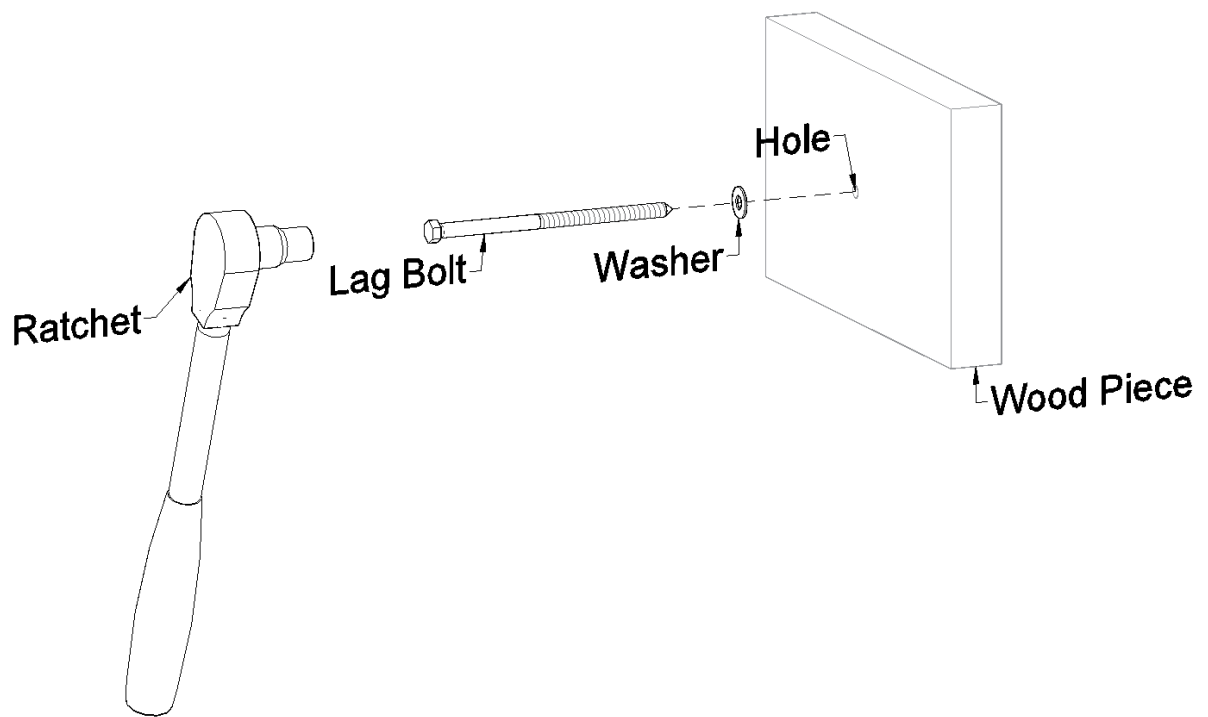
Required Tools (Are not included in your hardware packing).

PROCESS TO INSTALL THE HARDWARE PROVIDED.



To install the bolts.

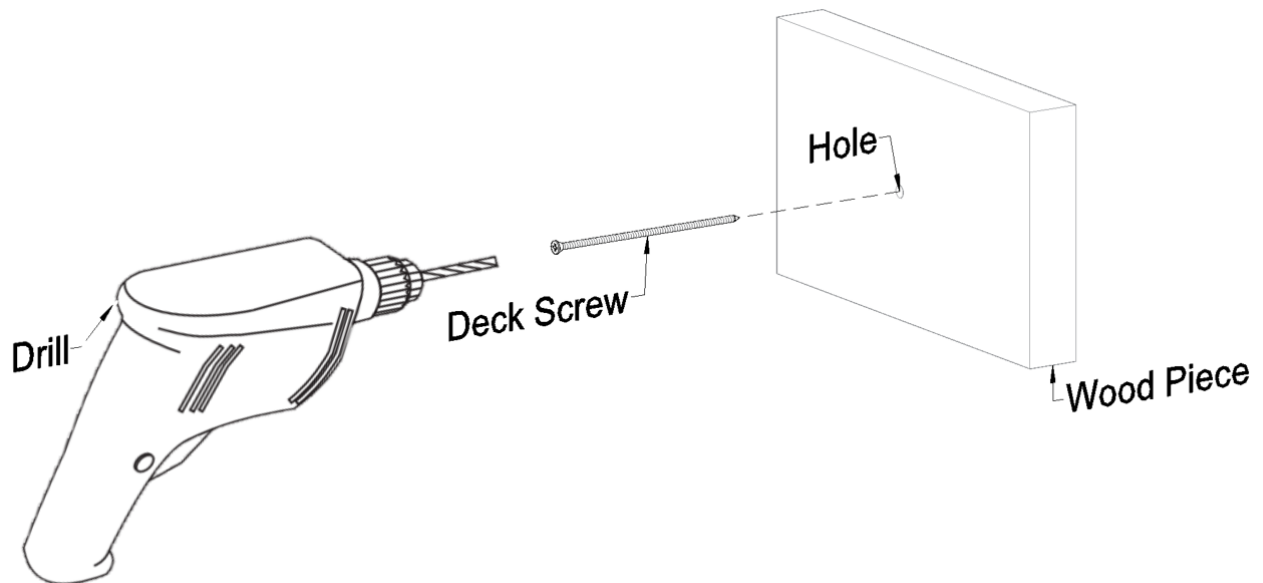
Insert the carriage bolts into the holes and lightly tap with a hammer until the square neck fit in the wood piece and the bolt head must flush with the wood piece. Finally, place the washer and the nut and carefully tighten it using a ratchet with the necessary socket or a wrench.



To install the lag bolts.










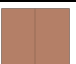
Place the washers in their lag bolts. After that, insert the lag bolts into the holes and carefully tighten it using a **ratchet** with the necessary **socket**.

Use the washers only for the Wood Pieces.













To install the deck screws.

Insert the deck screws into the holes and carefully tighten it using a drill.

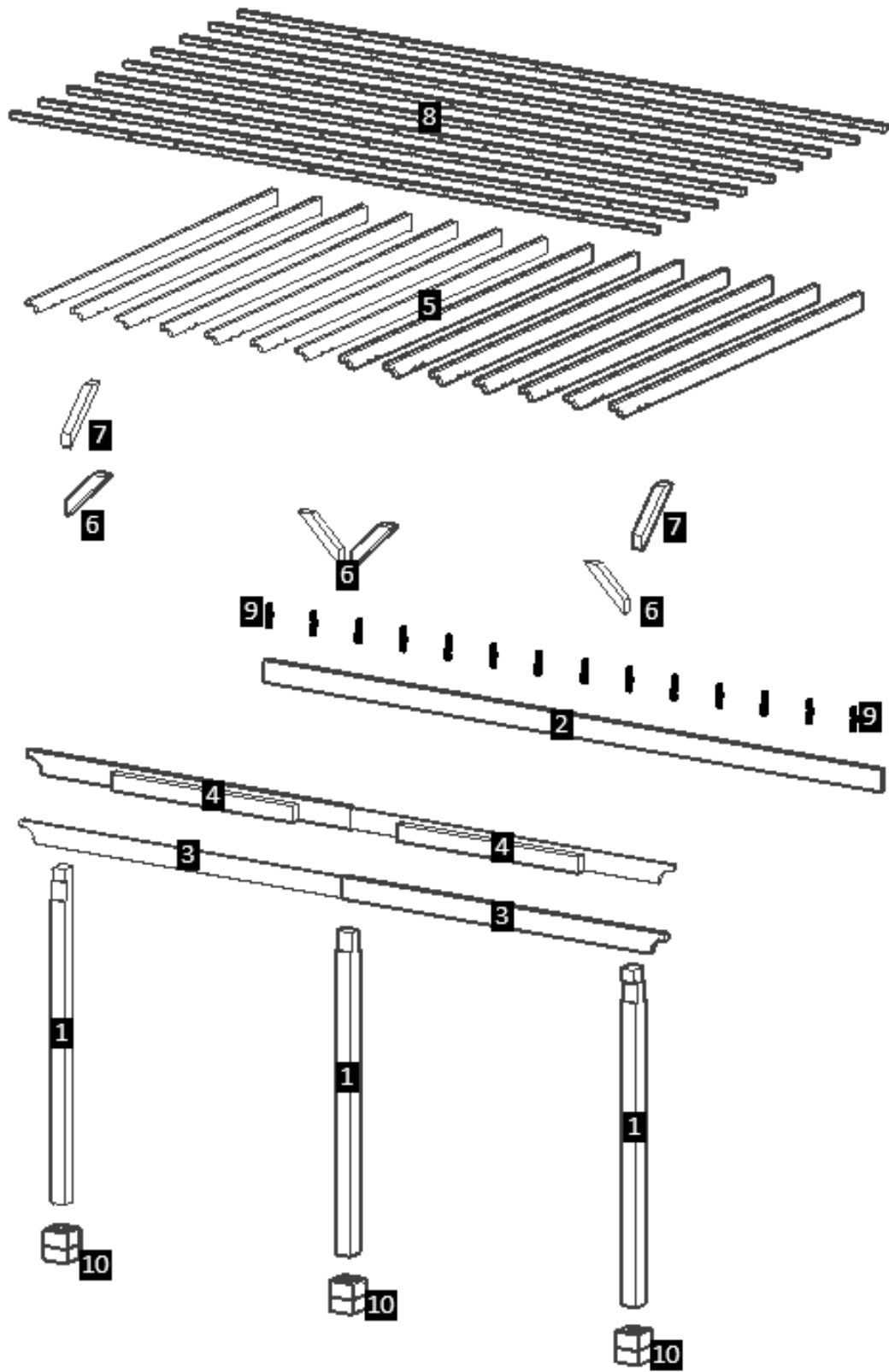
CONTENT OF BOXES		
Description	Drawing	No.
Post		1
Ledger board		2
Support		3
Supports with in-between blocking		4
Rafters		5
Main knee braces		6
Secondary knee braces		7
Slats		8
Simpson metal bases		9
Boots		10

Note: Part numbers in the Content of Boxes Table are for reference only. These do not match to the numbers marked on the parts sent.

HARDWARE LIST		
Description	Drawing	No.
1/2" x 4" anchor bolts		AB1
5/16" x 3" lag bolts		LB1
1/2" x 4" lag bolts		LB2
3/8" x 6 1/2" bolts		BL1
3/8" x 6" bolts		BL2
3/8" x 9" Bolts		BL3
3/8" x 12" Bolts		BL4
5/16" x 5" bolts		BL5
1 1/4" deck screws		DS1
3" deck screws		DS2

Note: Dimensions of your hardware will vary depending on size.

DESCRIPTION	No.
Post	1
Ledger board	2
Support	3
Supports with in-between blocking	4
Rafters	5
Main knee braces	6
Secondary knee braces	7
Slats	8
Simpson metal bases	9
Boots	10
anchor bases	11

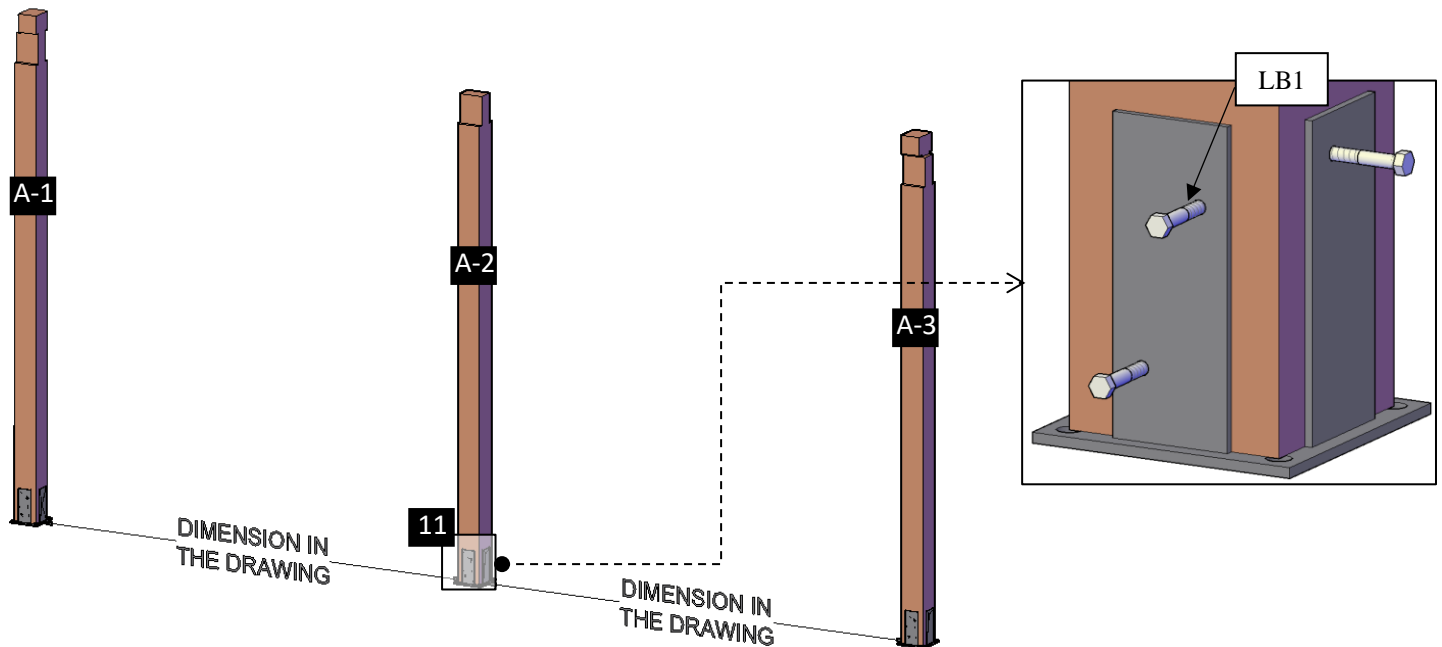


Note: Part numbers in the Drawing are for reference only. These do not match to the numbers marked on the parts sent.

NOTE: In order to know where the post needs to be placed, check the numbers on them. If the post is not marked, then place the single Supports on the ground to locate the markings for each post position and clearly set your bearings. (“Don’t attach yet, only place them on the ground to begin with”).

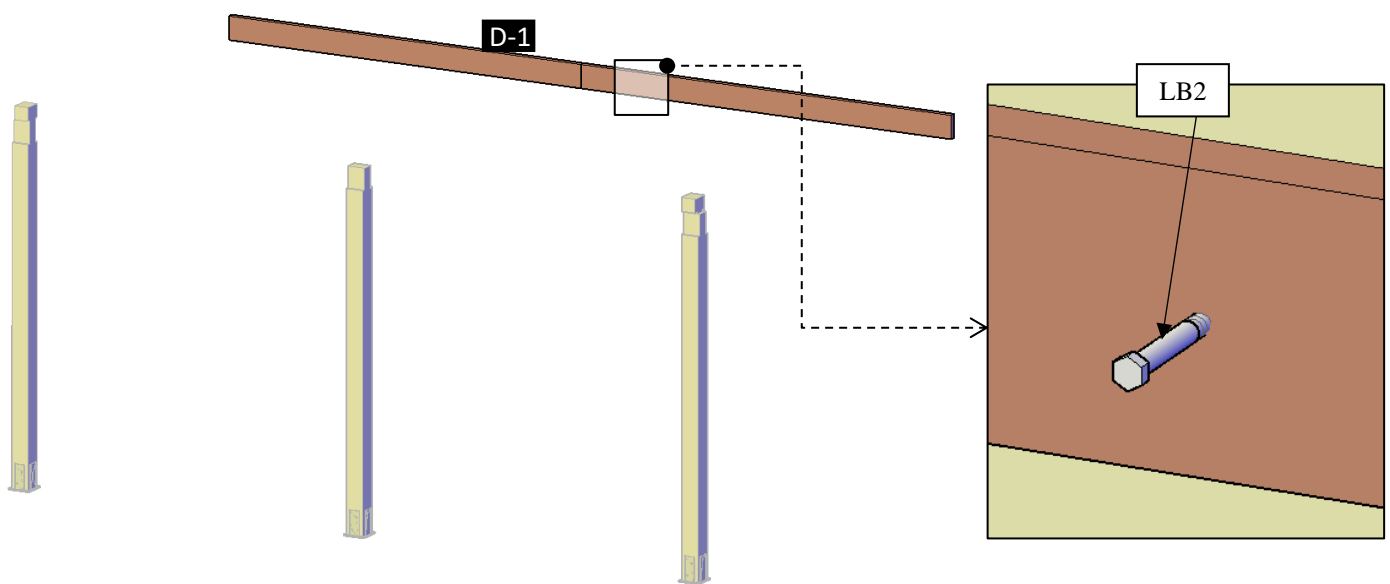
Note: Before install the anchor bases make sure that the ground is level using a carpenter's level or hydro-level (water level).

Step 1: Install the anchor bases (**11**) with $\frac{1}{2}$ " x 4" anchor bolts (**AB1**). Please see the “How to anchor your pergola document” for all details. Set your post (**1**) in the saddle of the anchor bases. Drill a $\phi \frac{1}{4}$ " hole in the post prior to anchoring to facilitate the ratcheting of the hardware. After that, use $\frac{5}{16}$ " x 3" Lag Bolts (**LB1**) to attach each post to its respective anchor base.



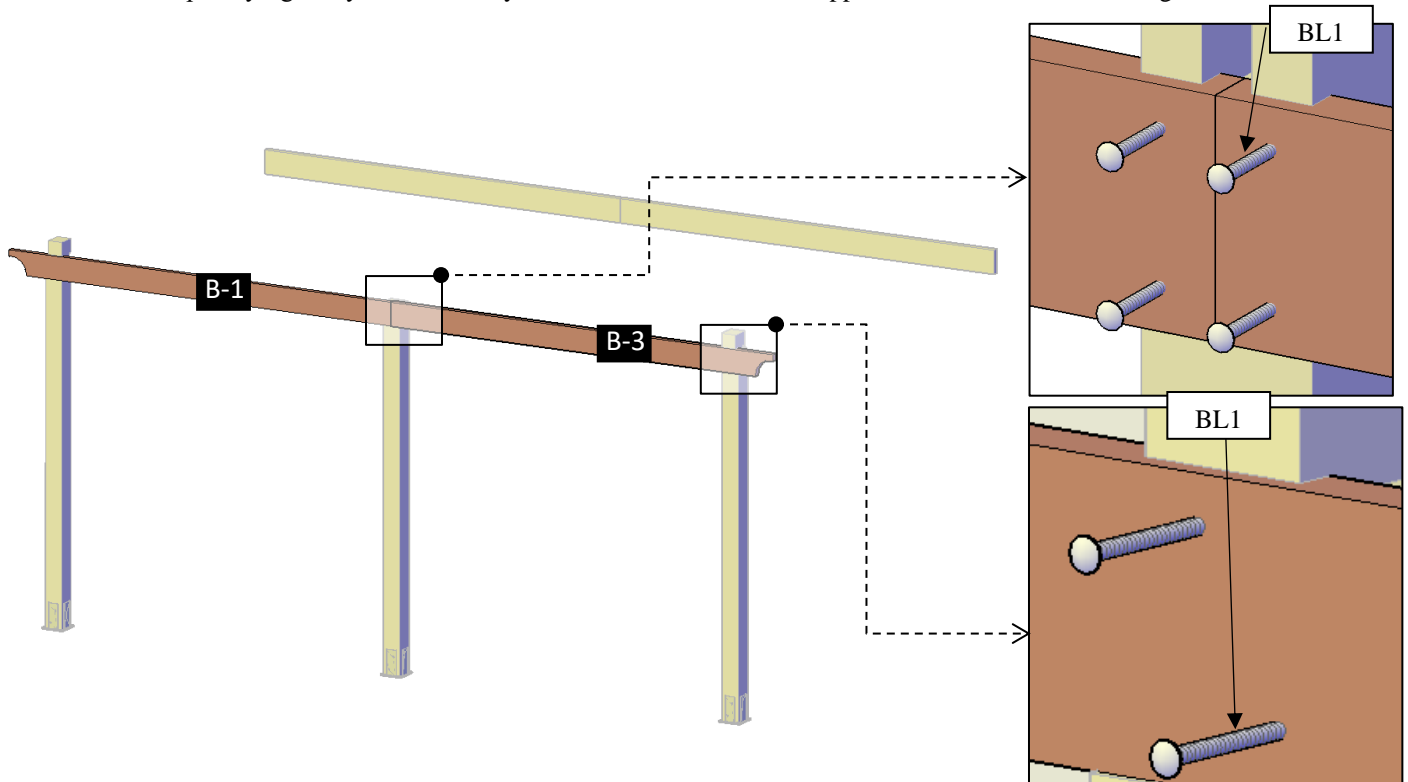
Step 2: Attach the ledger board (**2**) to the wall with $\frac{1}{2}$ " x 4" lag bolts (**LB2**). Check the marked numbers on each ledger board and place as drawings shown.

Note: look for structure on the wall to tie the ledger board for better solidity.

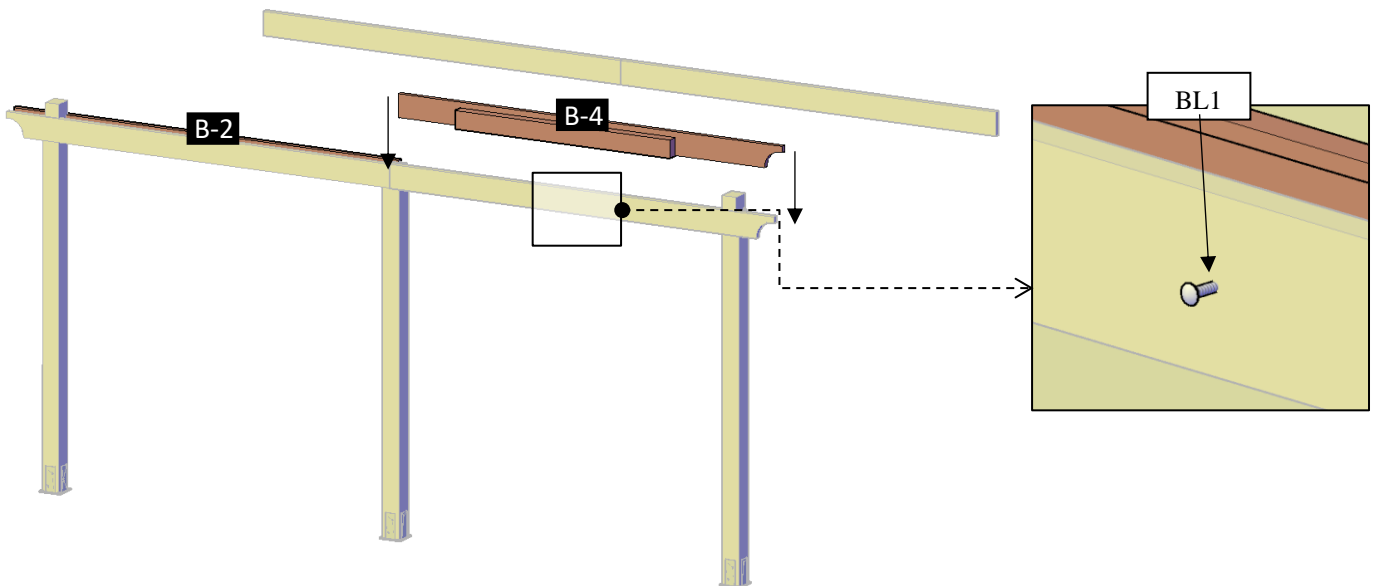


Step 3: Attach the single supports (3) to the posts with 3/8" x 6 1/2" bolts (BL1) bolts with washers & nuts. Check the marked numbers on each support and place as drawings shown.

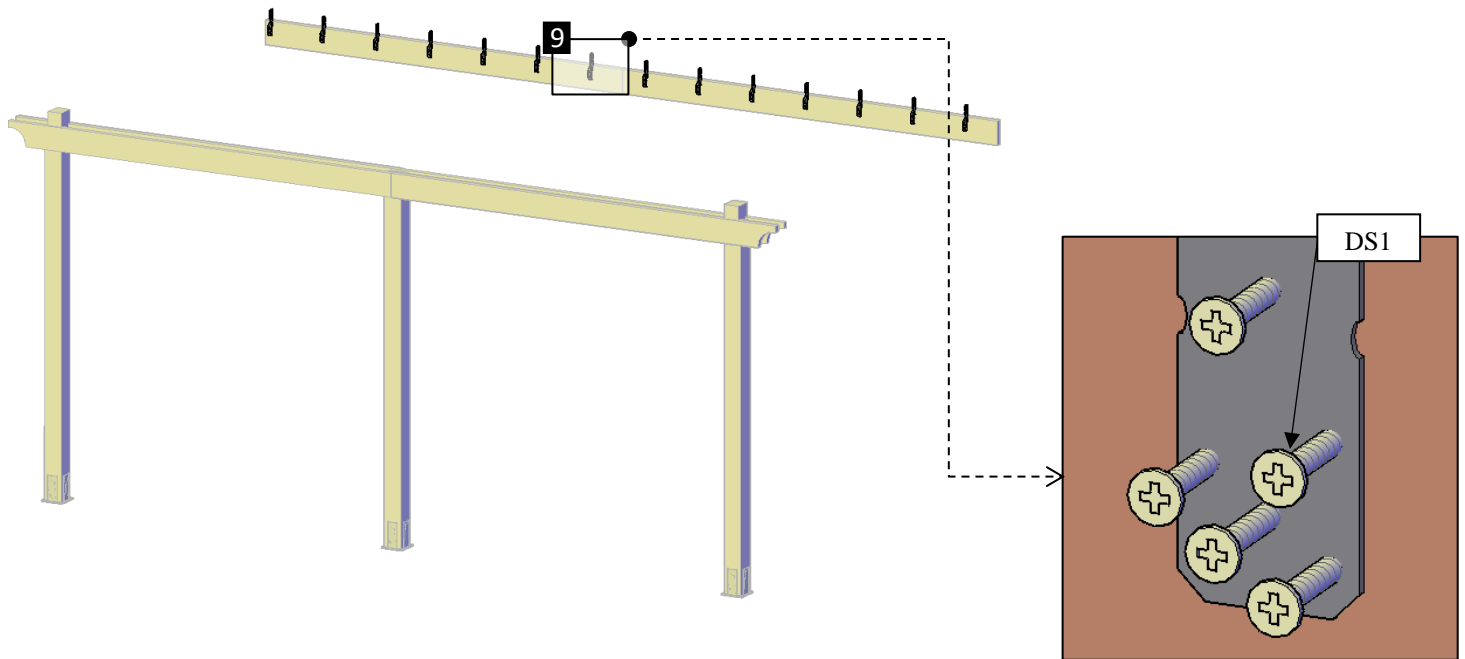
Note: Don't completely tighten yet the bolts – you will need the install the supports with in between blocking first.



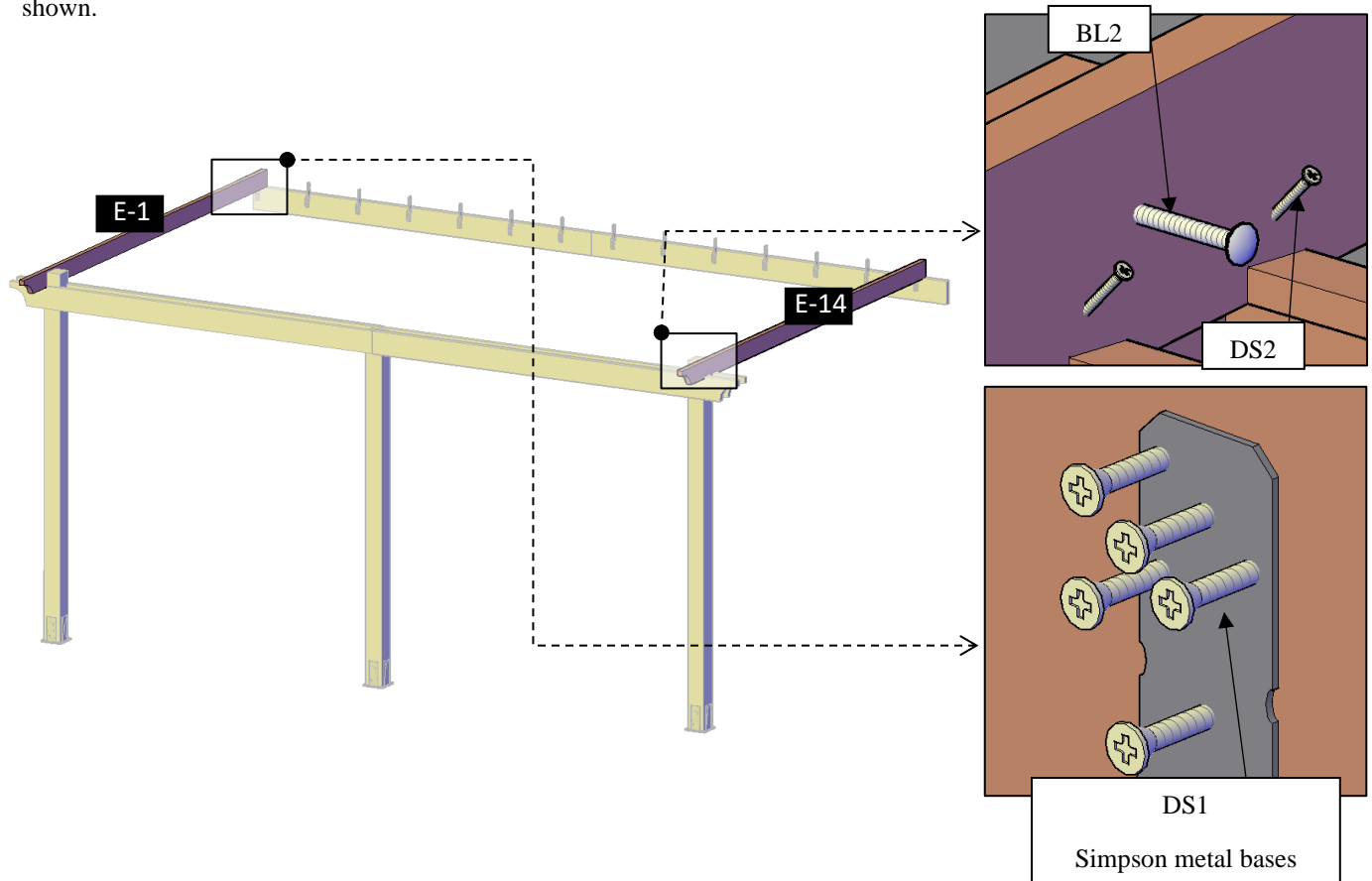
Step 4: Place the supports with in between blocking into the post notches. Return to the bolts described in the step 3 and tighten fully. After that use 3/8" x 6 1/2" bolts (BL1) to attach the supports together. Check the marked numbers on each support with in between blocking and place as drawings shown.



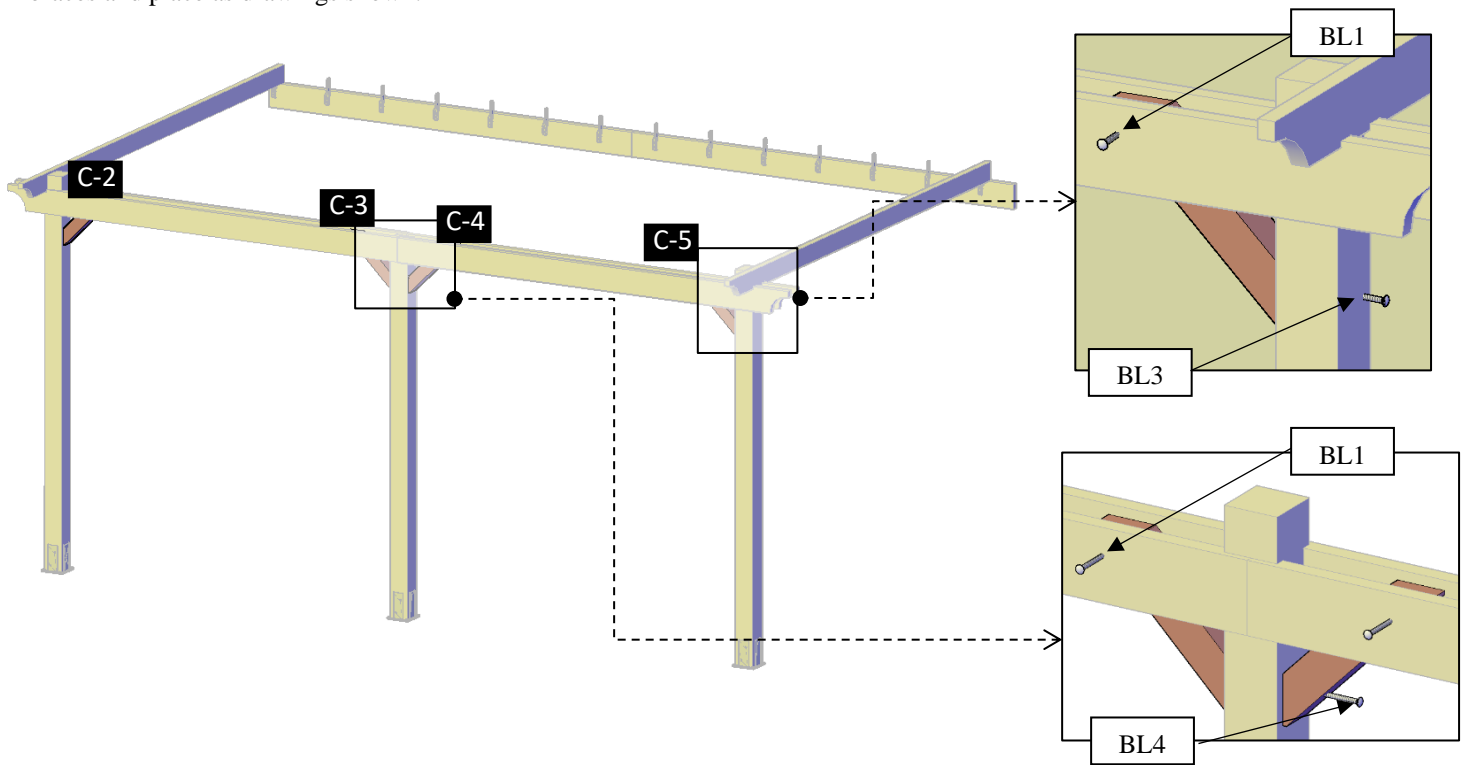
Step 5: Attach the Simpson metal bases (9) to the ledger board with 1 1/4" deck screws (DS1).



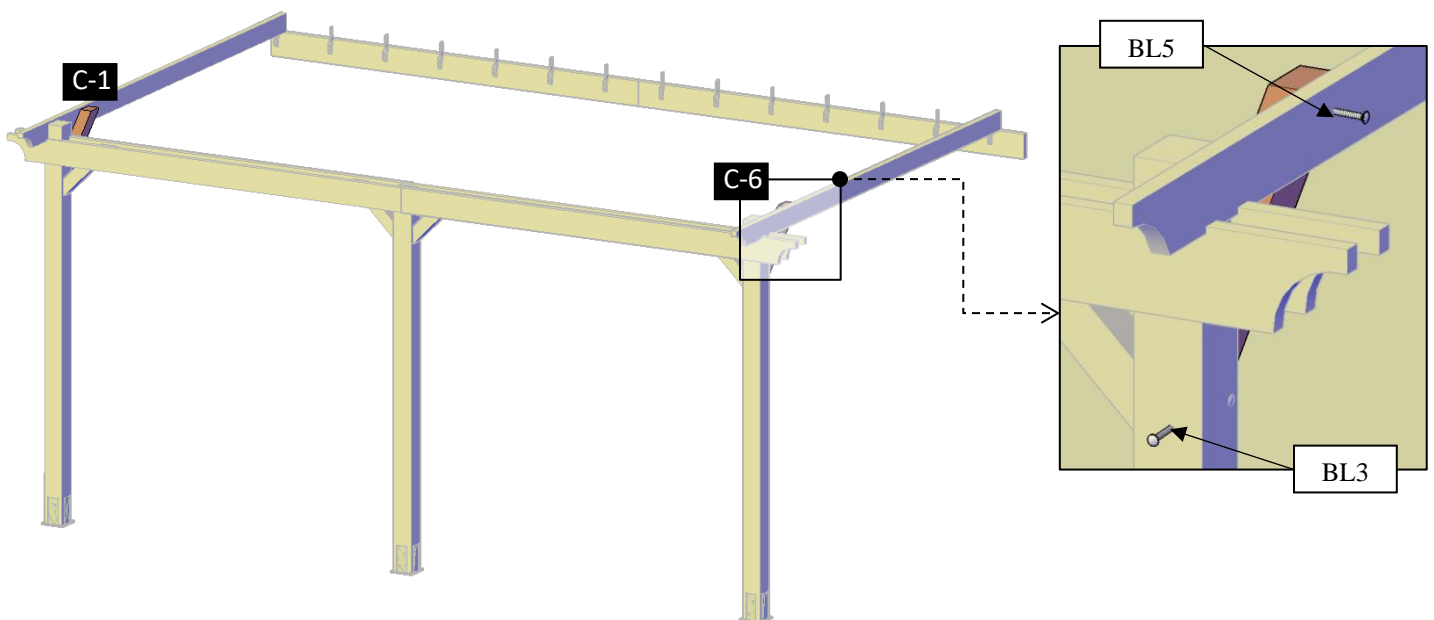
Step 6: Attach the Perimetral rafters (5) to the post with 3/8" x 6" bolts (BL2) with washers & nuts and use 3" deck screws (DS2) to attach to the supports and to the Simpson metal bases (9). Check the marked numbers on each rafter and place as drawings shown.



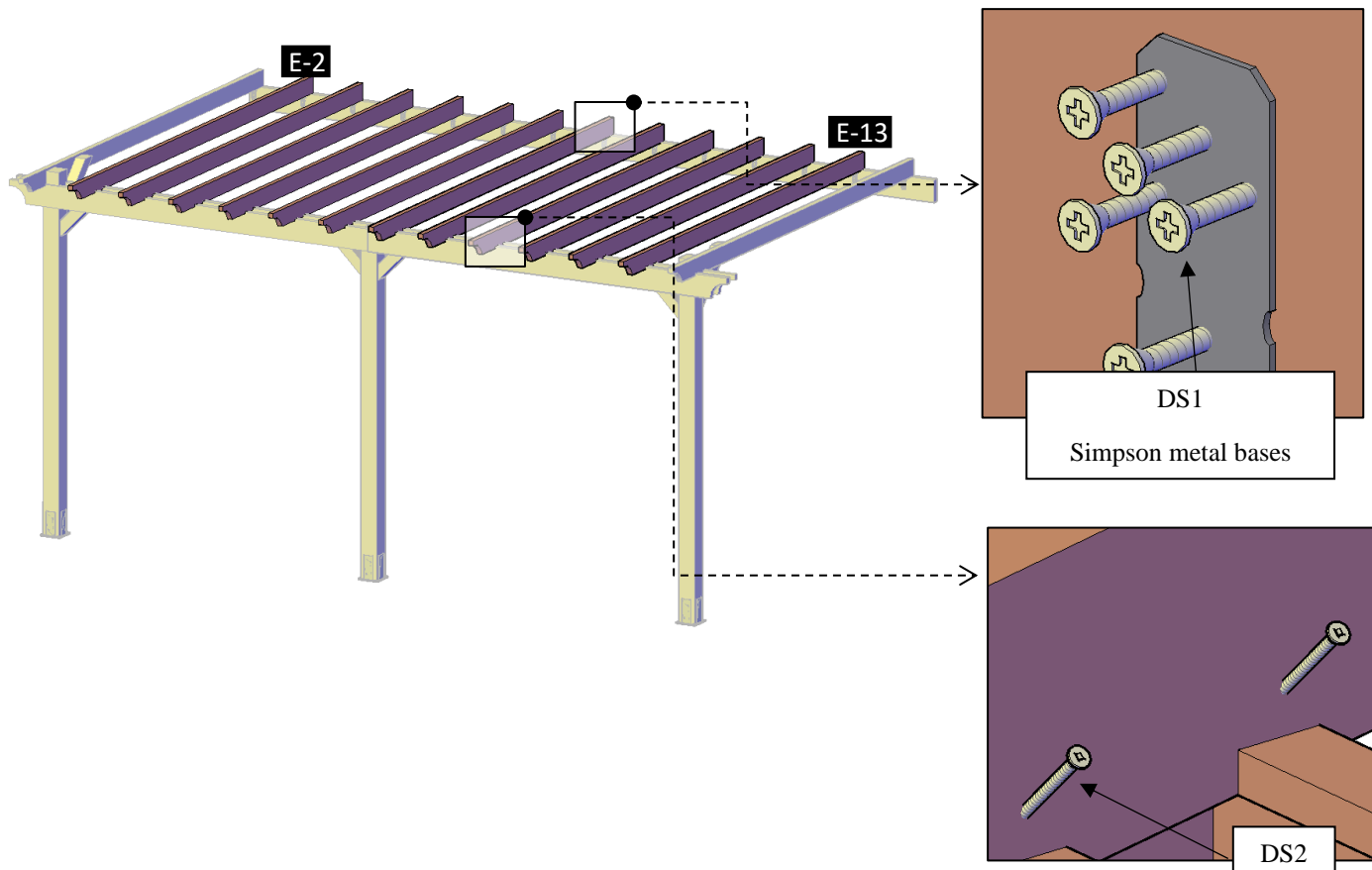
Step 7: Attach the main knee braces (6) to the supports with 3/8" x 6 1/2" bolts (BL1), to the lateral post with 3/8" x 9" Bolts (BL3) and to the central post with 3/8" x 12" Bolts (BL4) with washers & nuts. Check the marked numbers on each knee braces and place as drawings shown.



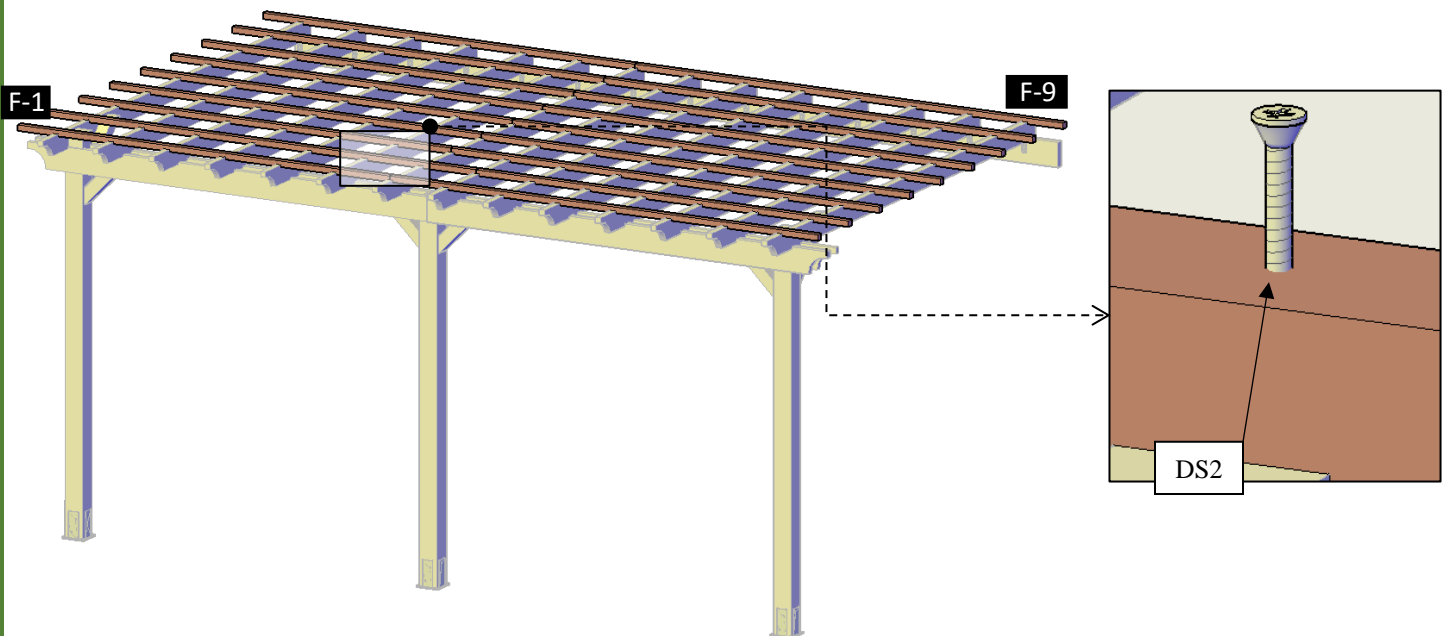
Step 8: Attach the secondary knee braces (7) to the Rafters with 5/16" x 5" bolts (BL4) and to the post with 3/8" x 9" Bolts (BL3) with washers & nuts. Check the marked numbers on each knee braces and place as drawings shown.



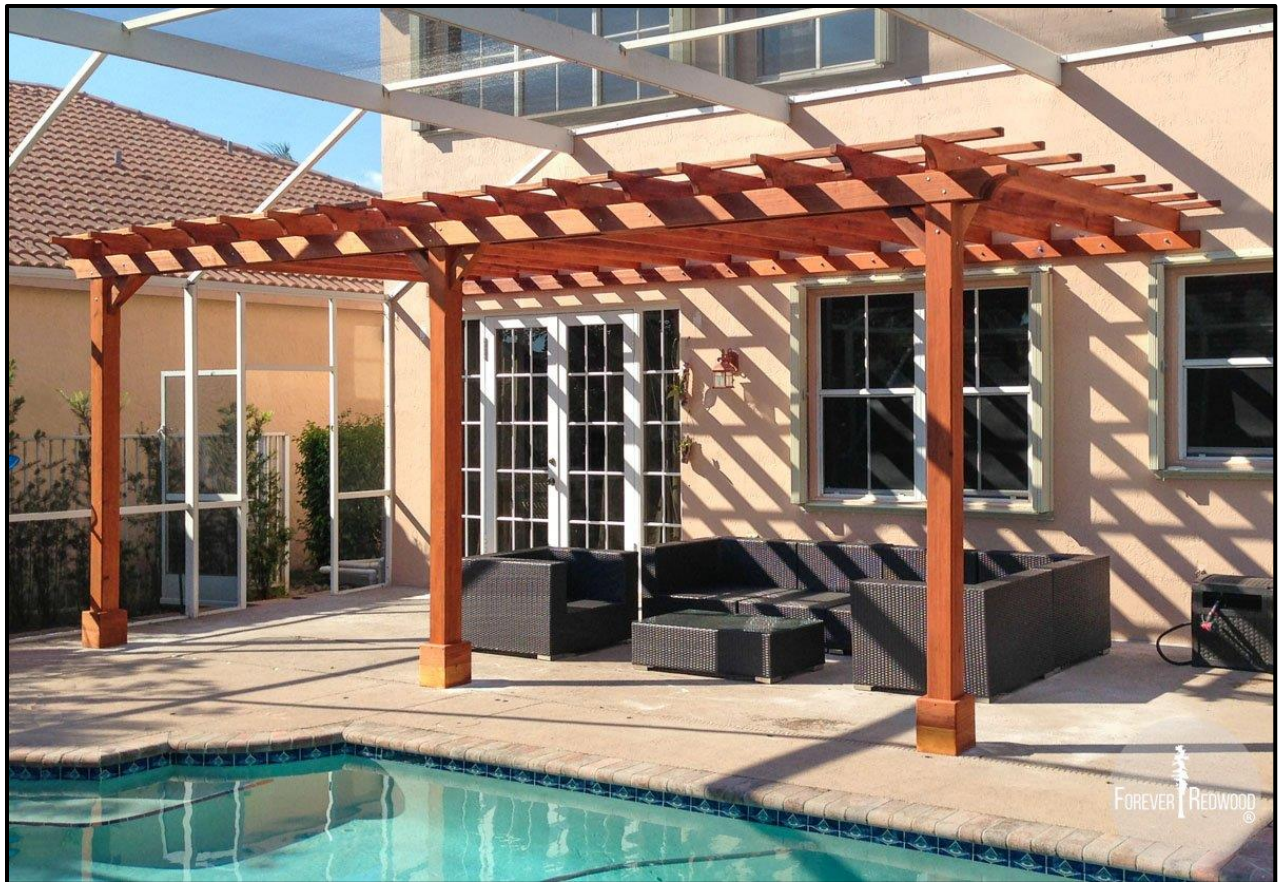
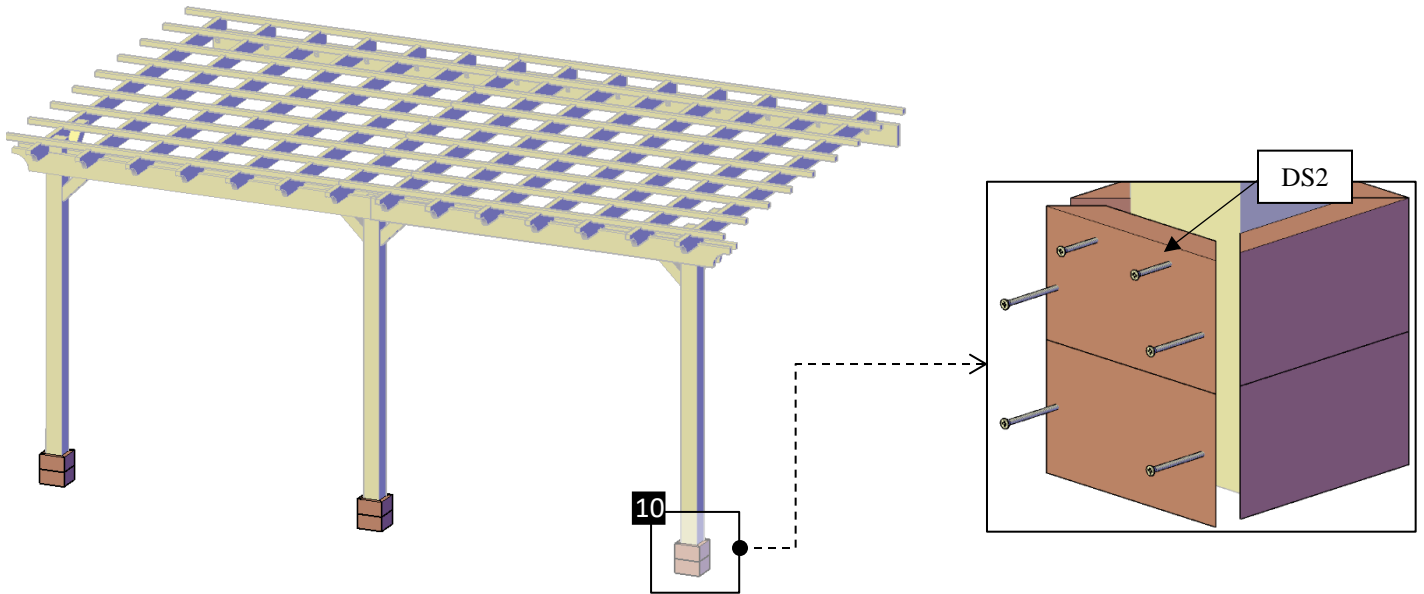
Step 9: Attach the rafters (5) to the supports with 3" deck screws (DS2) and to the Simpson metal bases (5) with 1 1/4" deck screws (DS1). Check the marked numbers on each rafter and place as drawings shown (E-2 at E-13).



Step 10: Attach the slats (8) to the rafters with 3" deck screws (DS2). Check the marked numbers on each slat and place as drawings shown (F-1 at F-9).



Step 11: Finally, attach the boots (10) to the posts with 3" deck screws (DS2).



This completes the Pergola assembly. Hope you enjoy your set for many decades. If you ever have a problem or a question, don't hesitate to call us (866 332 2403) or email us. We are here to support you.