



# FOREVER REDWOOD

*From the Forest, For the Forest since 1995*

---

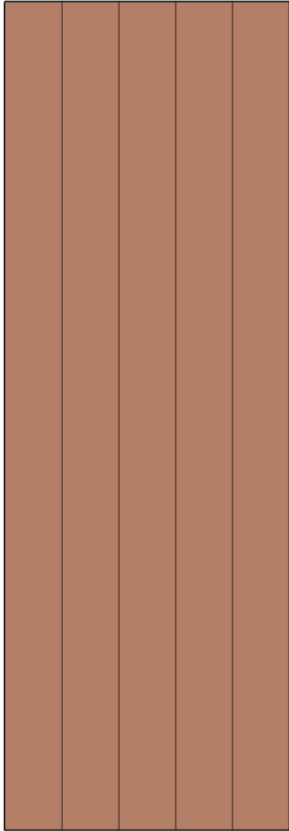

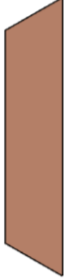
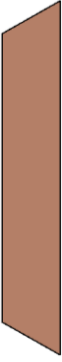
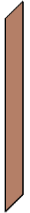
866.332.2403 (TOLL FREE); 7am – 7pm Pacific Time, Monday-Saturday

## ASSEMBLY INSTRUCTIONS FOR THE **FOREVER PICNIC TABLES** (UNATTACHED BENCHES)






**CONTENT OF BOXES**

Qty.	Description	Drawing	No.
1	Tabletop		1
4	Legs		2
2	Short Leg Supports		3
2	Long Leg Supports		4
2	Knee Braces		5

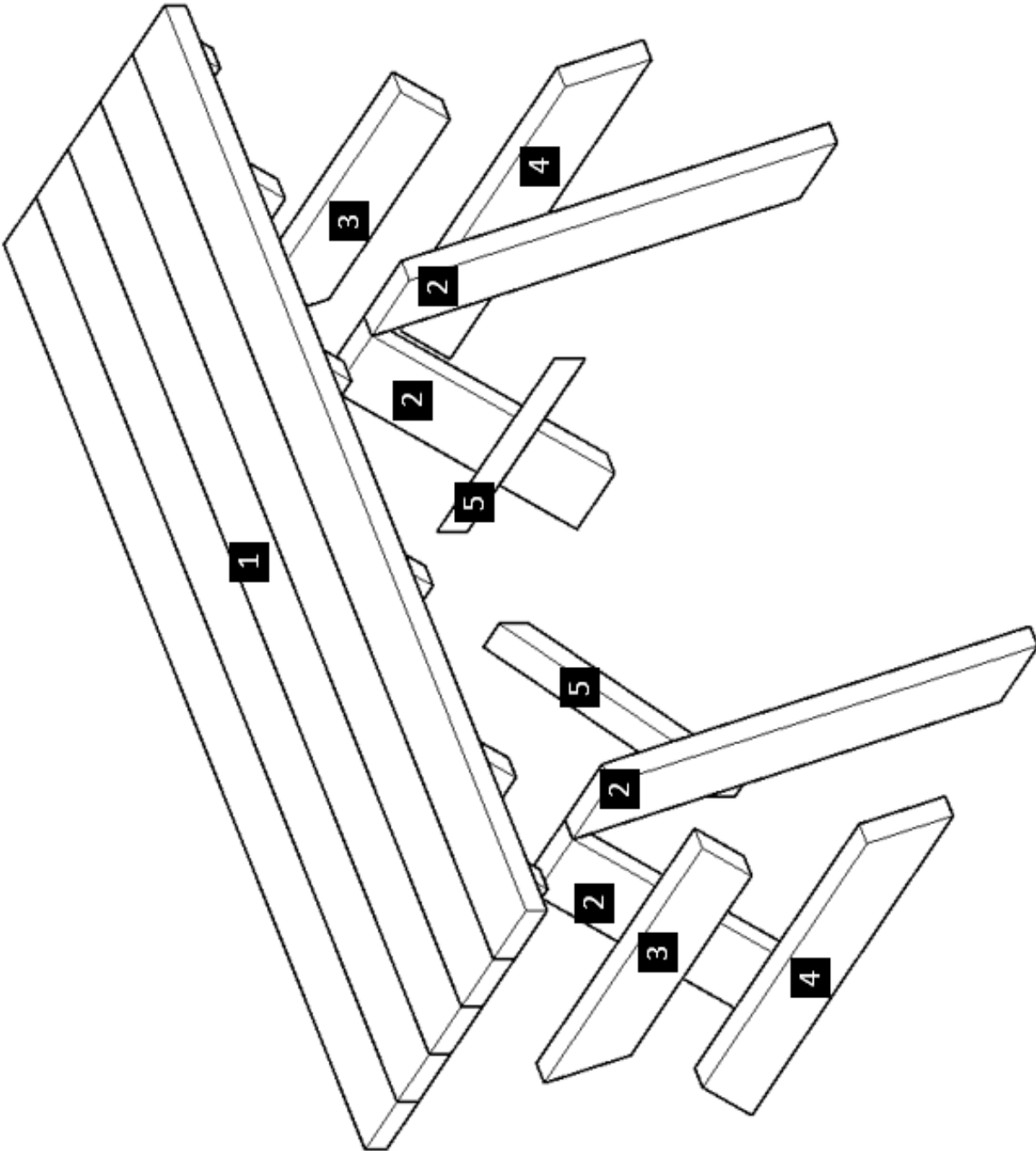
**Note:** Part numbers in the Content of Boxes Table are for reference only. These do not match to the numbers marked on the parts sent.

**HARDWARE LIST**

Description	Drawing	No.
5/16" X 3 1/2" Bolts (To attach the supports to the legs / To attach legs to the tabletop / To attach braces to the tabletop and to the legs).		A

**Note:** Dimensions of your hardware will vary depending on size.

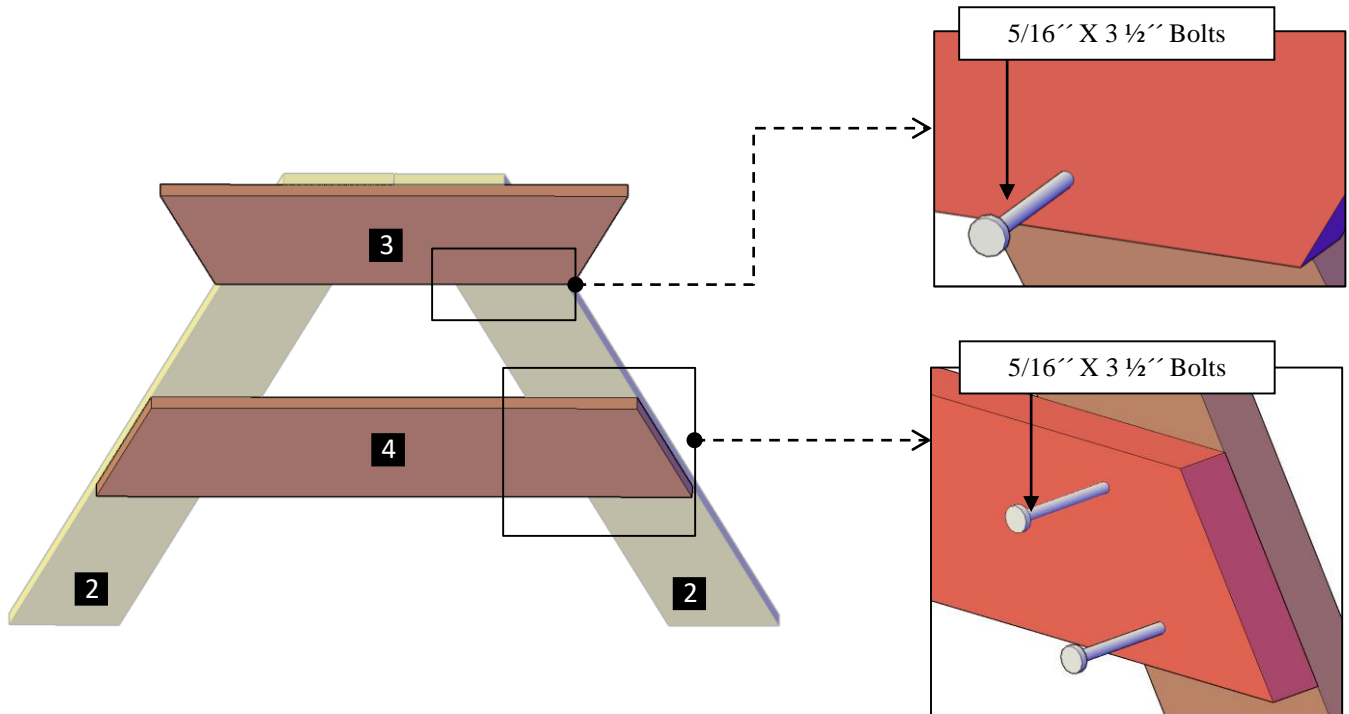




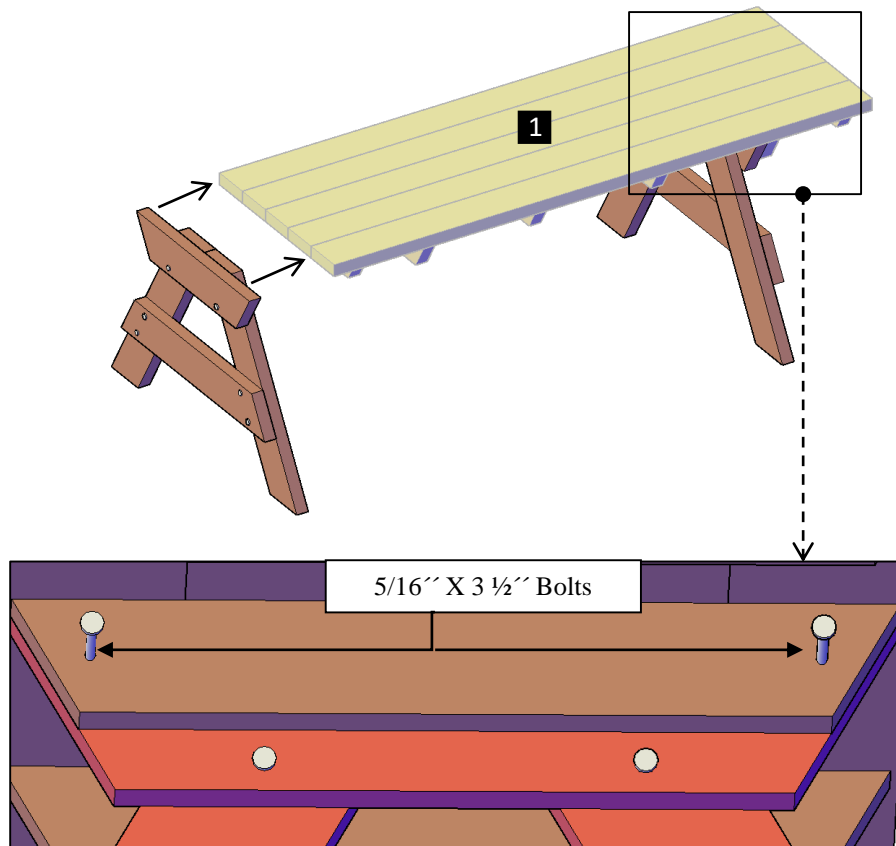
DESCRIPTION	No
Tabletop	1
Legs	2
Short Leg Supports	3
Long Leg Supports	4
Knee Braces	5

**Note:** Part numbers in the Drawing are for reference only. These do not match to the numbers marked on the parts sent.

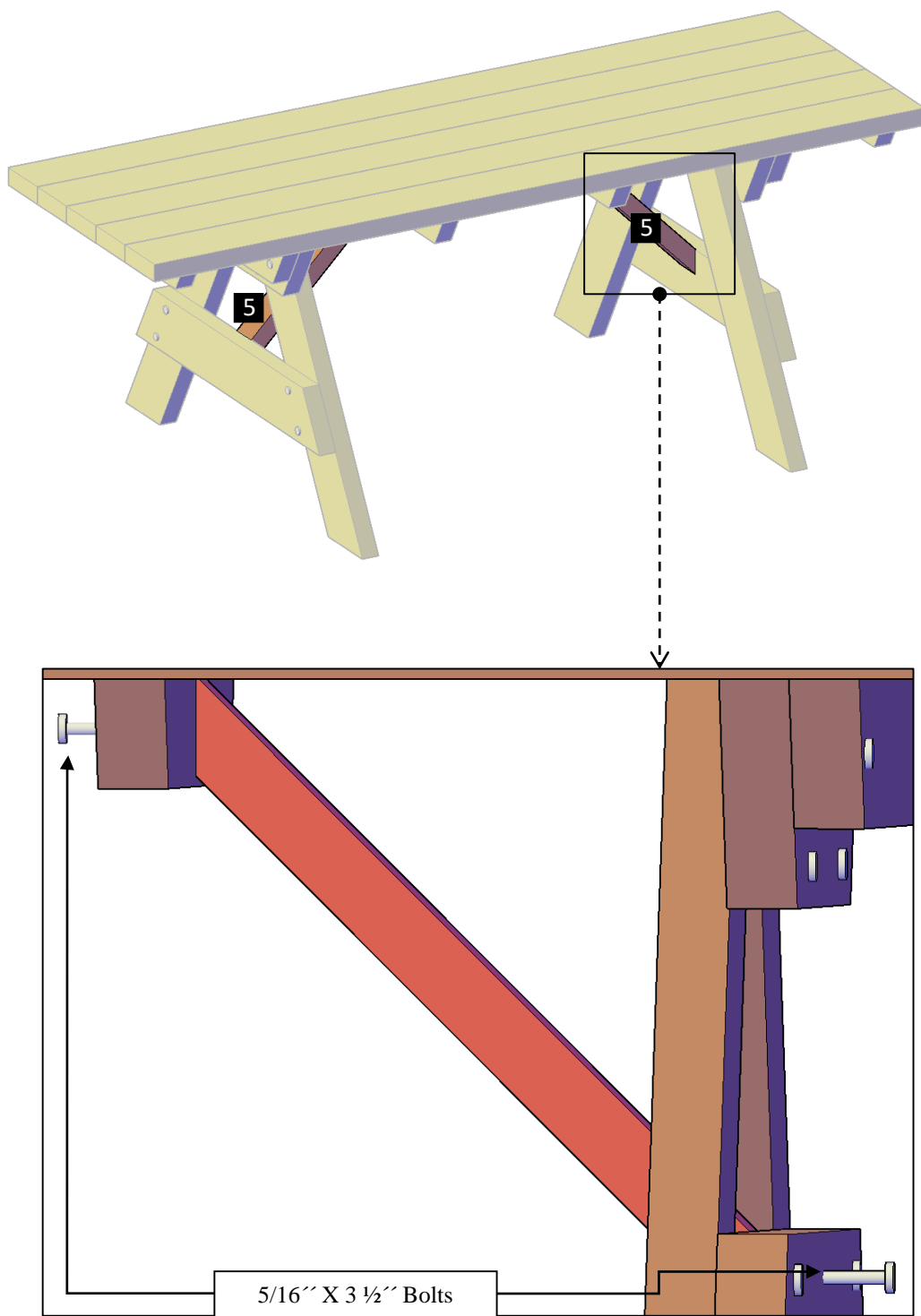
**Step 1:** Attach the legs (2) to the short leg supports (3) and to the long leg supports (4) with 5/16" x 3 1/2" bolts (A). Each part has a series of numbers that indicate where to attach the part with the corresponding number.



**Step 2:** Use 5/16" x 3 1/2" bolts (A) to attach the legs to the tabletop (1). Each part has a series of numbers that indicate where to attach the part with the corresponding number.



**Step 3:** Finally, attach the knee braces (5) to the tabletop and to the legs with 5/16" x 3 1/2" bolts (A). Each part has a series of numbers that indicate where to attach the part with the corresponding number.





*This completes the Picnic Table assembly. Hope you enjoy your set for many decades. If you ever have a problem or a question, don't hesitate to call us (866 332 2403) or email us. We are here to support you.*