



FOREVER REDWOOD

From the Forest, For the Forest since 1995

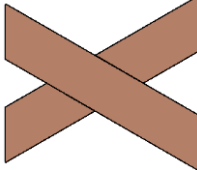
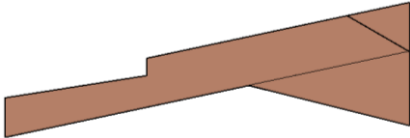
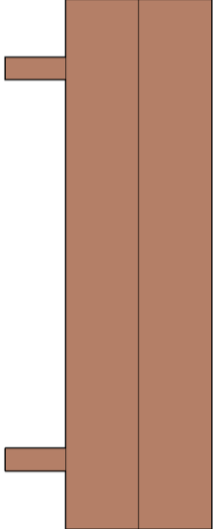
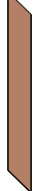
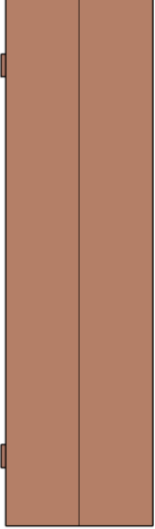
866.332.2403 (TOLL FREE); 7am – 7pm Pacific Time, Monday-Saturday

ASSEMBLY INSTRUCTIONS FOR THE **FULLBACK WOOD PICNIC BENCH**





CONTENT OF BOXES

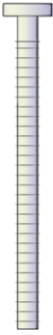
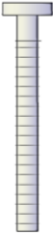
Qty.	Description	Drawing	No.
2	Short Legs		1
2	Long Legs		2
1	Seat		3
2	Diagonal Supports		4
1	Backrest		5

Note: Part numbers in the Content of Boxes Table are for reference only. These do not match to the numbers marked on the parts sent.



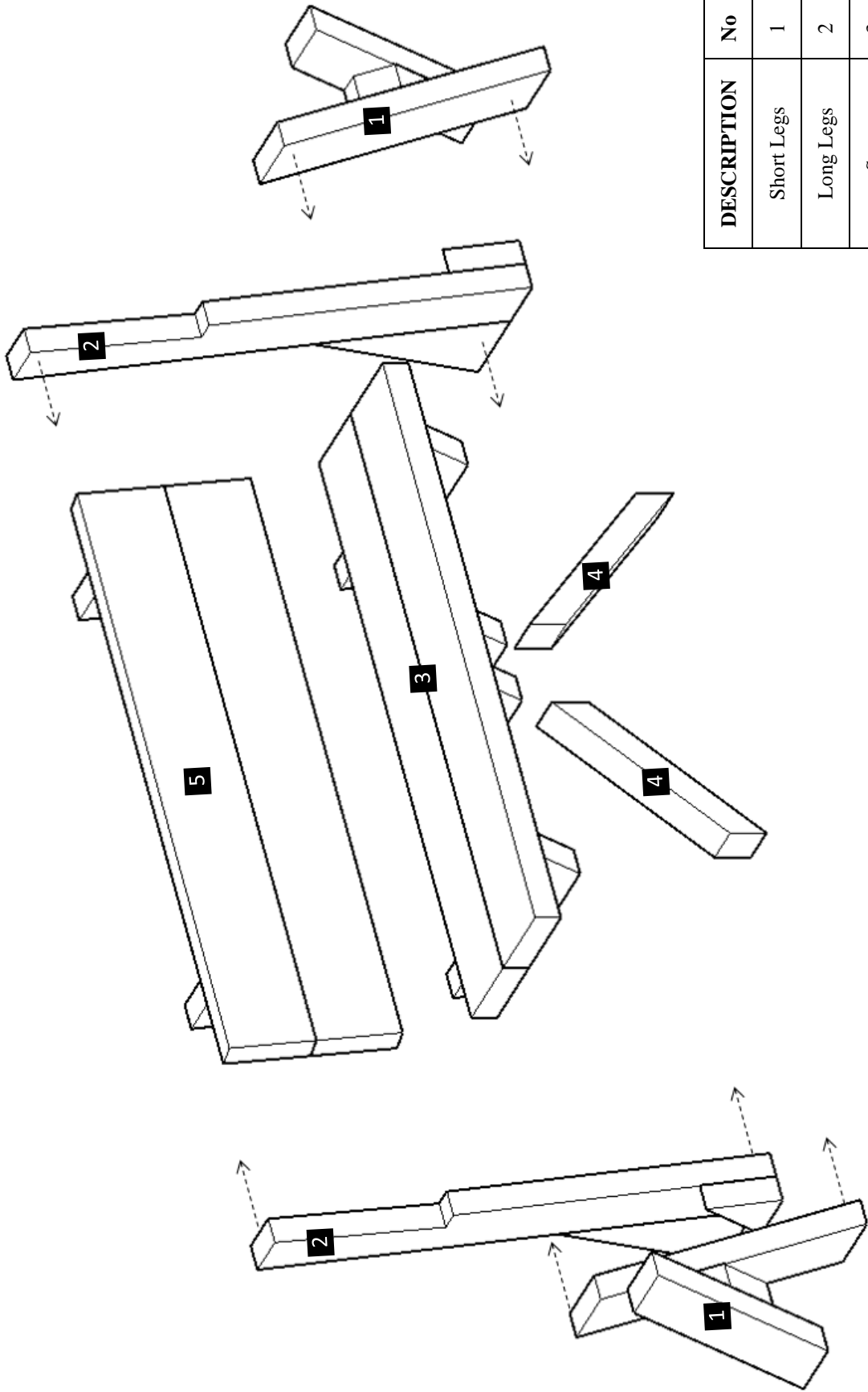


HARDWARE LIST

Description	Drawing	No.
5/16" X 5 1/2" Bolts (To attach the short legs to the long legs).		A.
5/16" X 3 1/2" Bolts (To attach the seat to the legs. / To attach the diagonal supports to the short legs and to the seat. / To attach the backrest to the long legs).		B

Note: Dimensions of your hardware will vary depending on size.

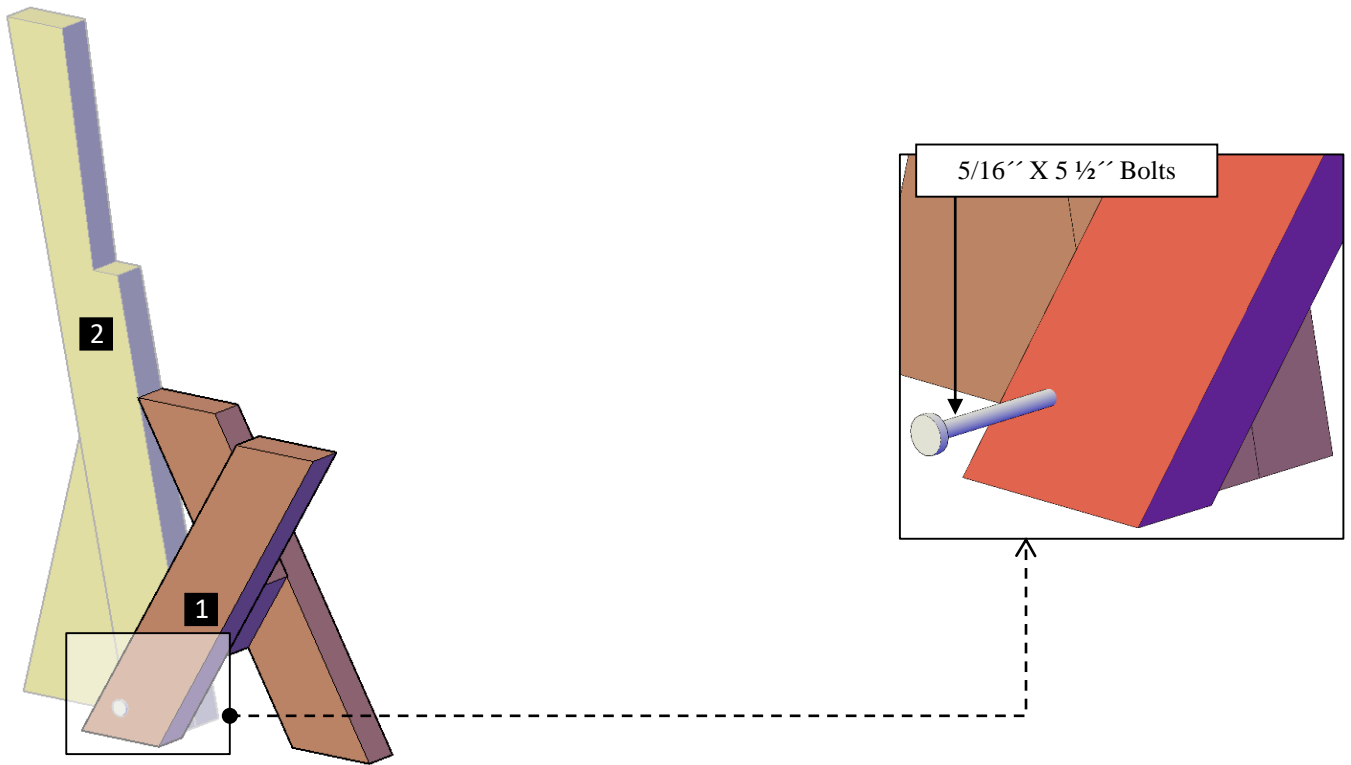




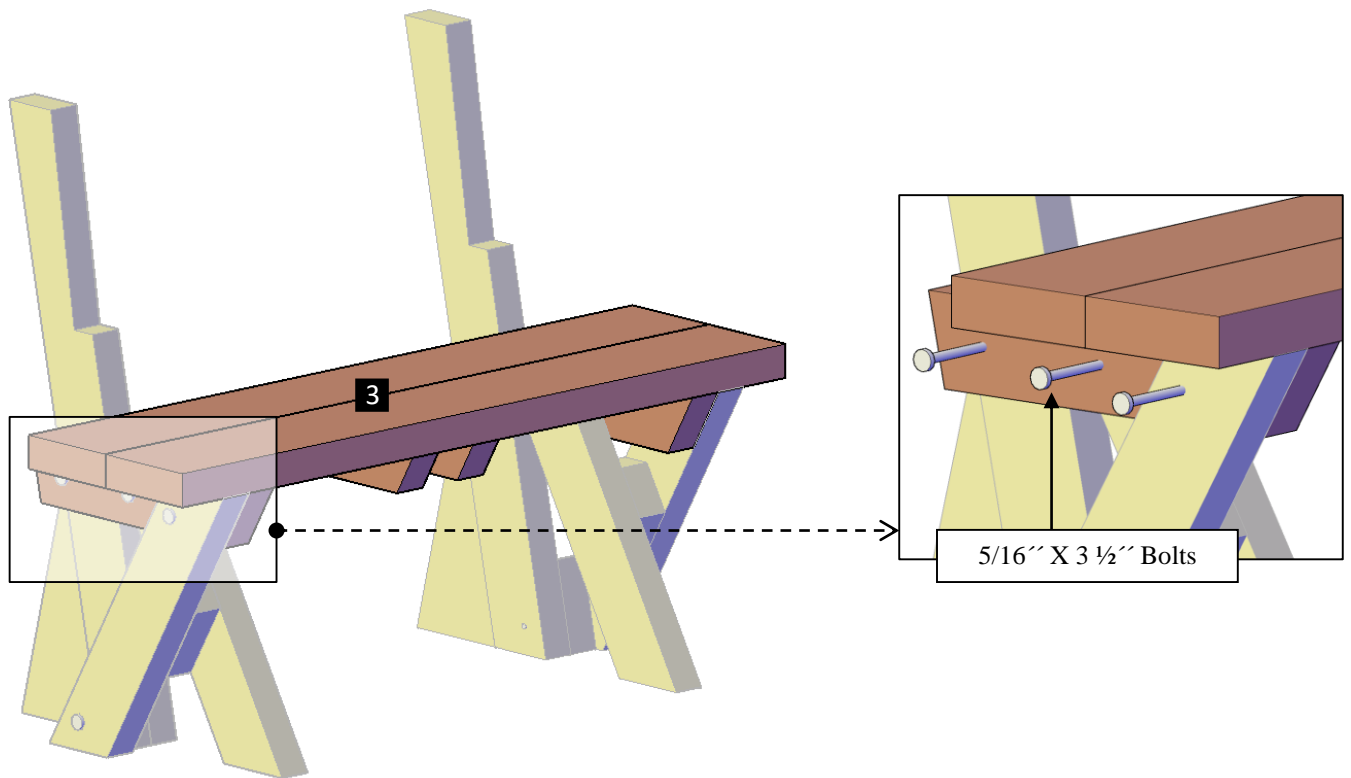
DESCRIPTION	No
Short Legs	1
Long Legs	2
Seat	3
Diagonal Supports	4
Backrest	5

Note: Part numbers in the Drawing are for reference only. These do not match to the numbers marked on the parts sent.

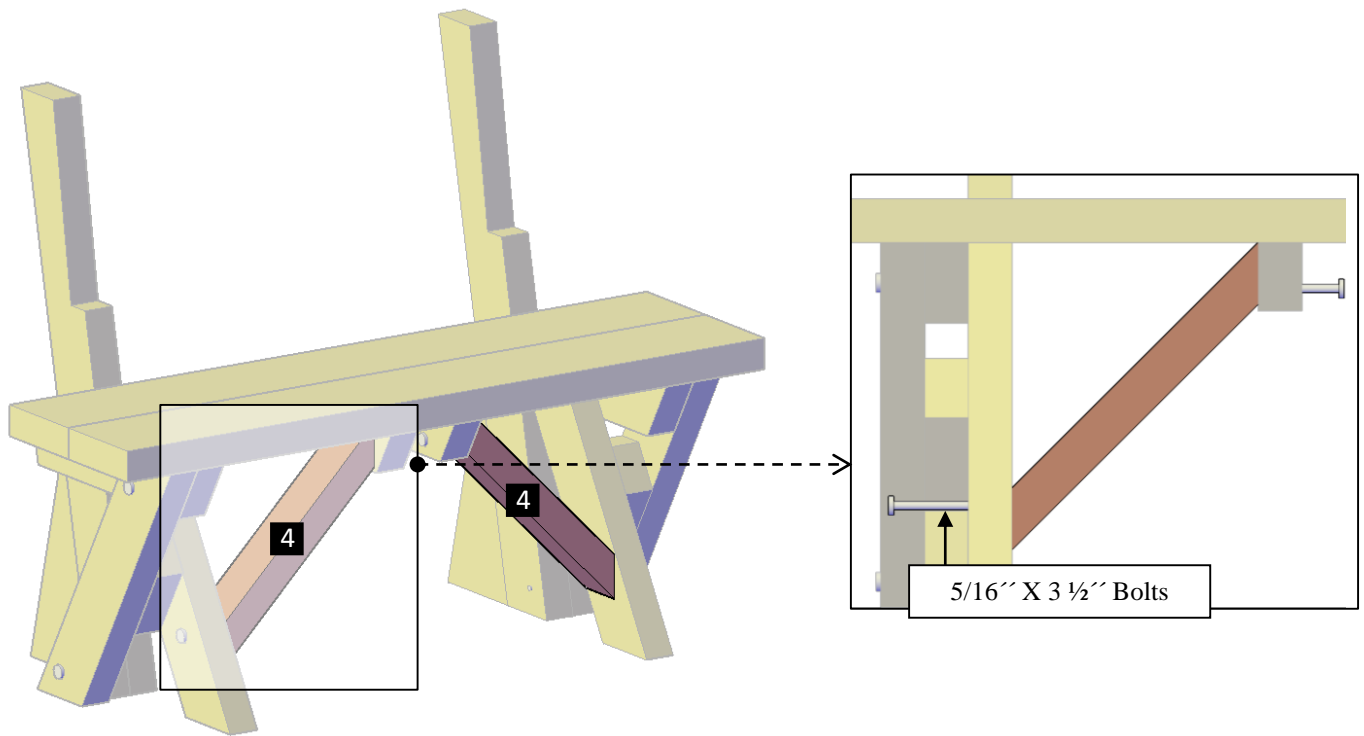
Step 1: Use 5/16" x 5 1/2" bolts (A) to attach the short legs (1) to the long legs (2). Each part has a series of numbers that indicate where to attach the part with the corresponding number.



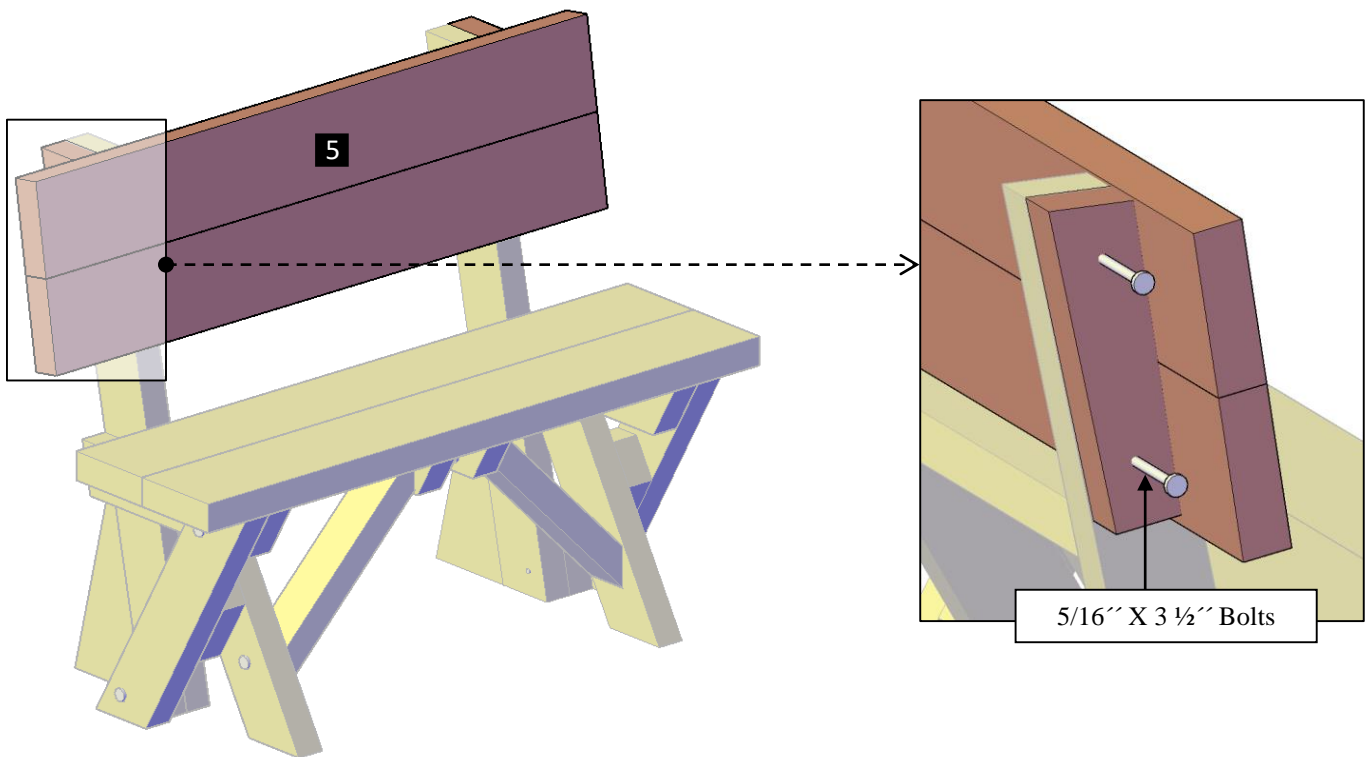
Step 2: Attach the seat (3) to the legs with 5/16" x 3 1/2" bolts (B). Each part has a series of numbers that indicate where to attach the part with the corresponding number.



Step 3: Attach the diagonal supports (4) to the short legs and to the seat with 5/16" x 3 1/2" bolts (B). Each part has a series of numbers that indicate where to attach the part with the corresponding number.



Step 4: Finally, use 5/16" x 3 1/2" bolts (B) to attach the backrest (5) to the long legs. Each part has a series of numbers that indicate where to attach the part with the corresponding number.





This completes the Bench assembly. Hope you enjoy your set for many decades. If you ever have a problem or a question, don't hesitate to call us (866 332 2403) or email us. We are here to support you.