



FOREVER REDWOOD

From the Forest, For the Forest since 1995

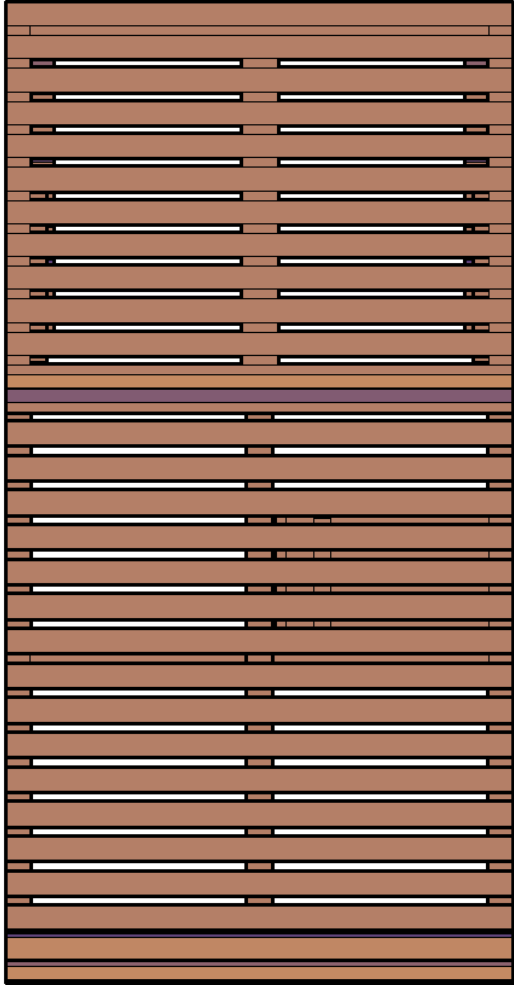

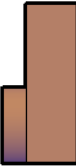
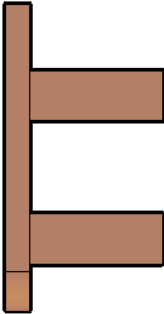
866.332.2403 (TOLL FREE); 7am – 7pm Pacific Time, Monday-Saturday

ASSEMBLY INSTRUCTIONS FOR **LA GRANGE REDWOOD LOUNGER** (SINGLE & HONEYMOON)





CONTENT OF BOXES

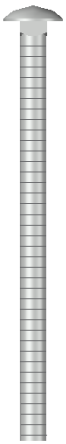
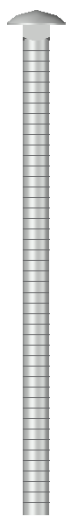
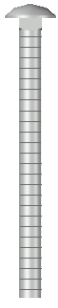
Qty.	Description	Drawing	No.
1	Lounger		1
4	Legs-A		2
2	Legs-B		3
2	Armrests		4

Note: Part numbers in the Content of Boxes Table are for reference only. These do not match to the numbers marked on the parts sent.

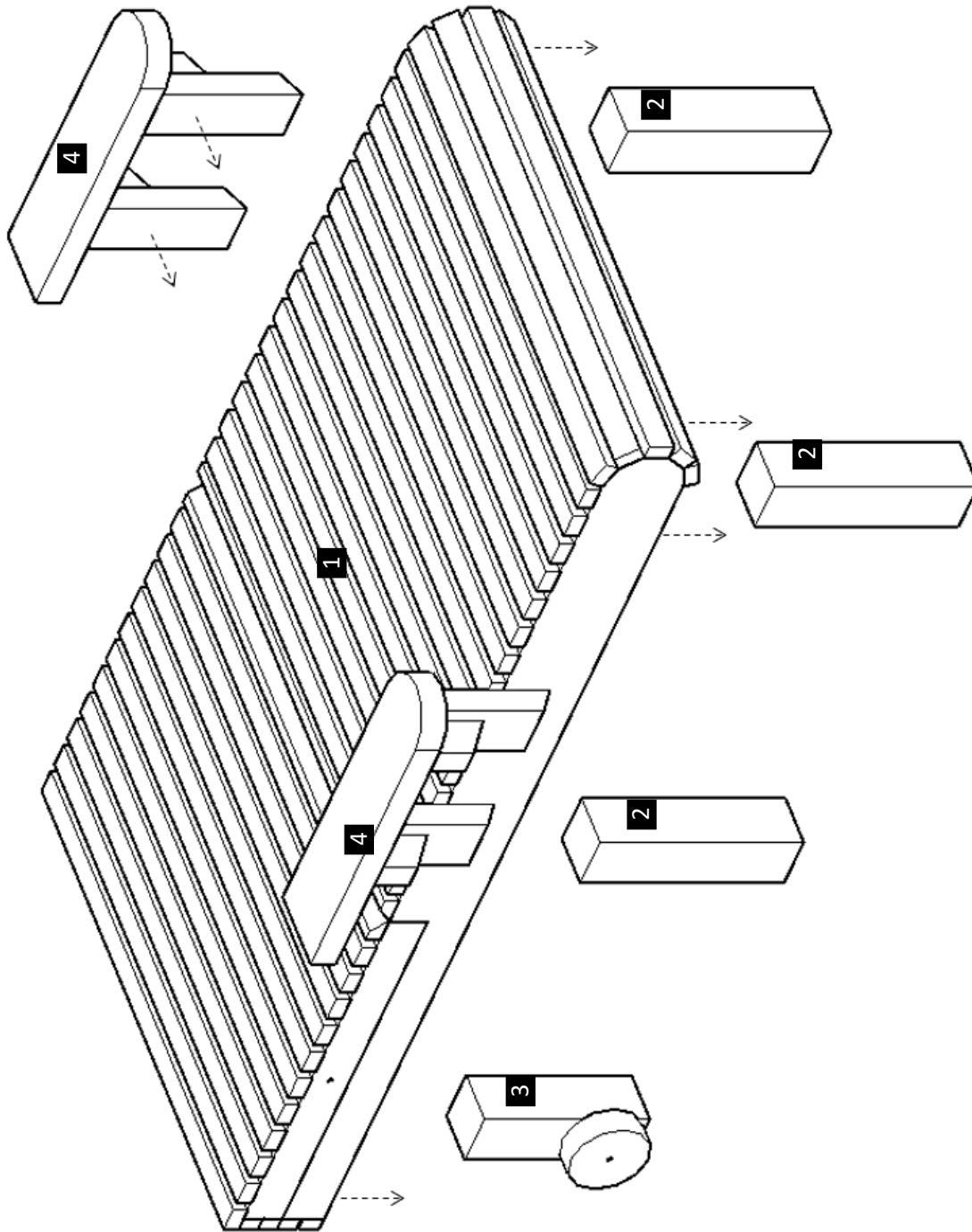




CONTENT OF BOXES

Description	Drawing	No.
3/8'' X 6'' Bolts (To attach the legs-A to the lounger)		A
3/8'' X 7'' Bolts (To attach the legs-B to the lounger)		B
5/16'' X 4'' Bolts (To attach the armrests to the lounger).		C

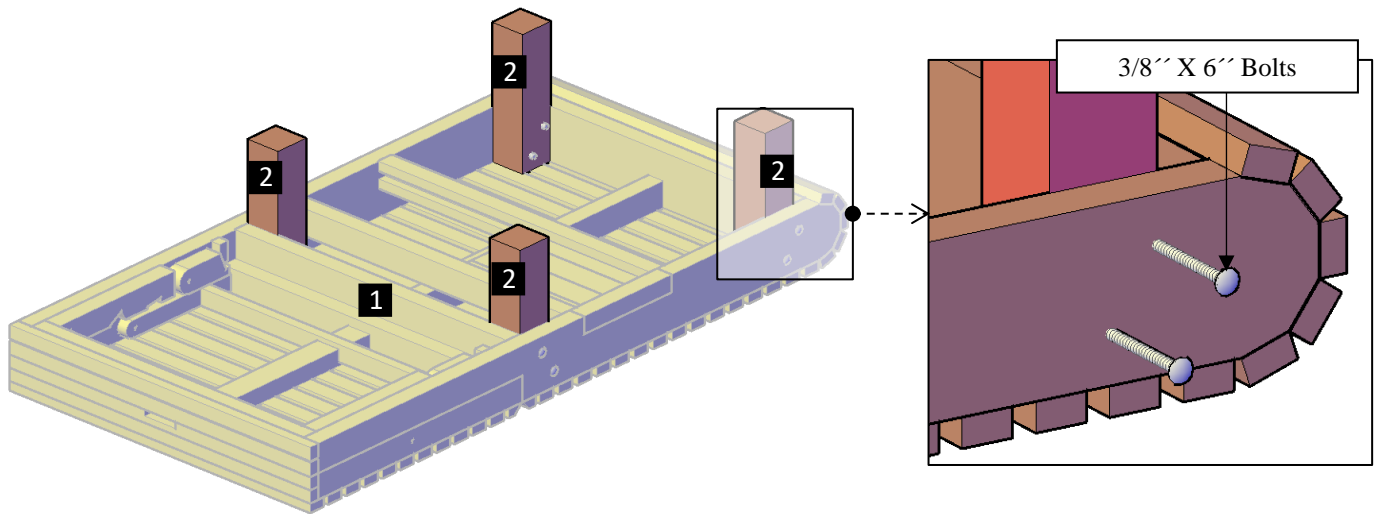
Note: Dimensions of your hardware will vary depending on size.



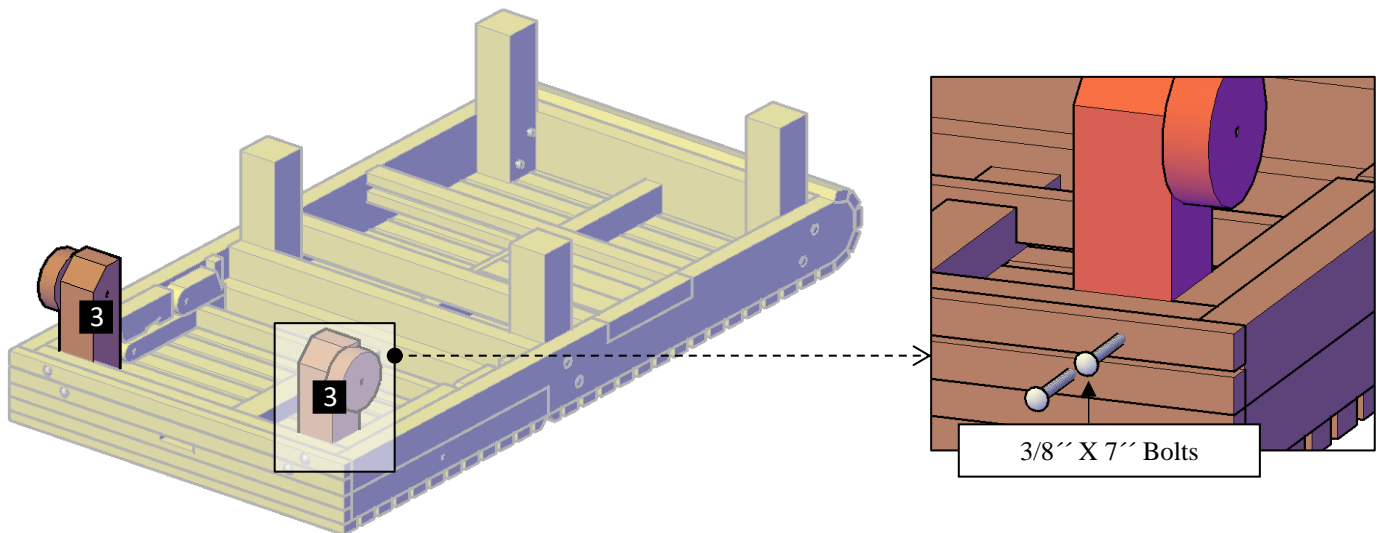
DESCRIPTION	No
Lounger	1
Legs-A	2
Legs-B	3
Armrests	4

Note: Part numbers in the Drawing are for reference only. These do not match to the numbers marked on the parts sent.

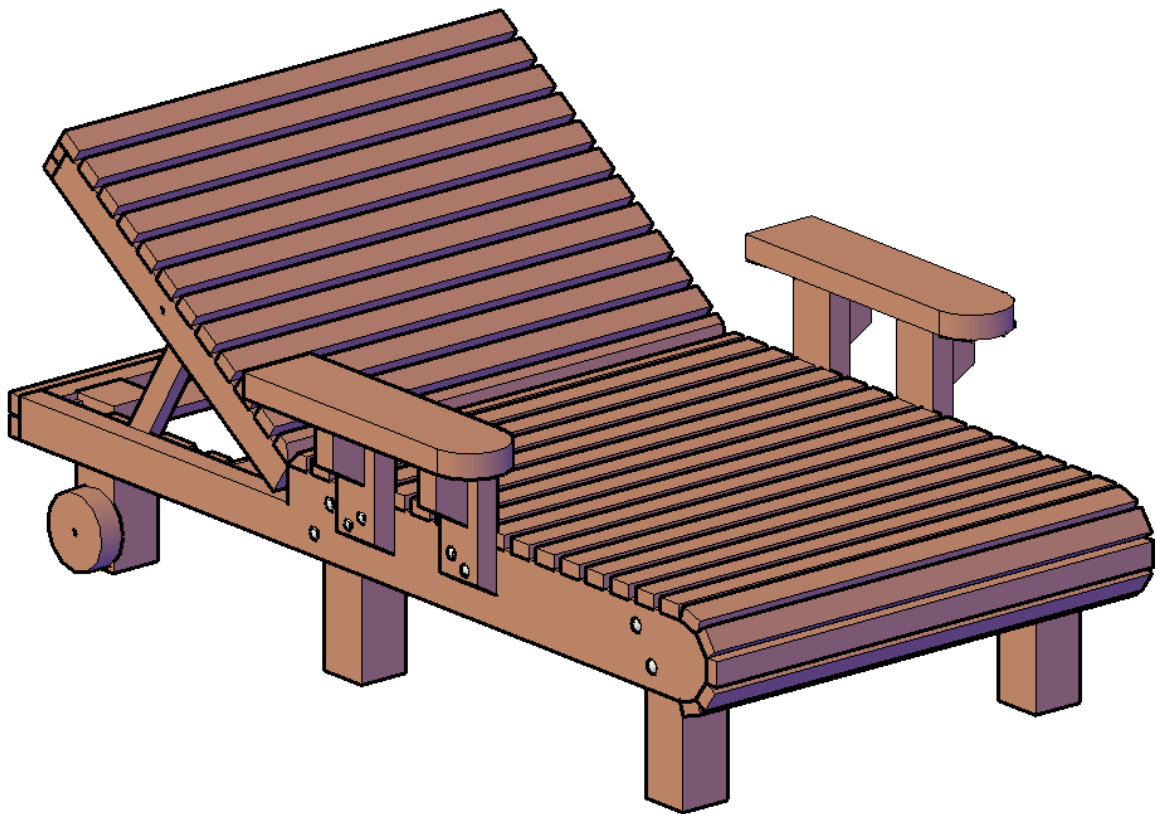
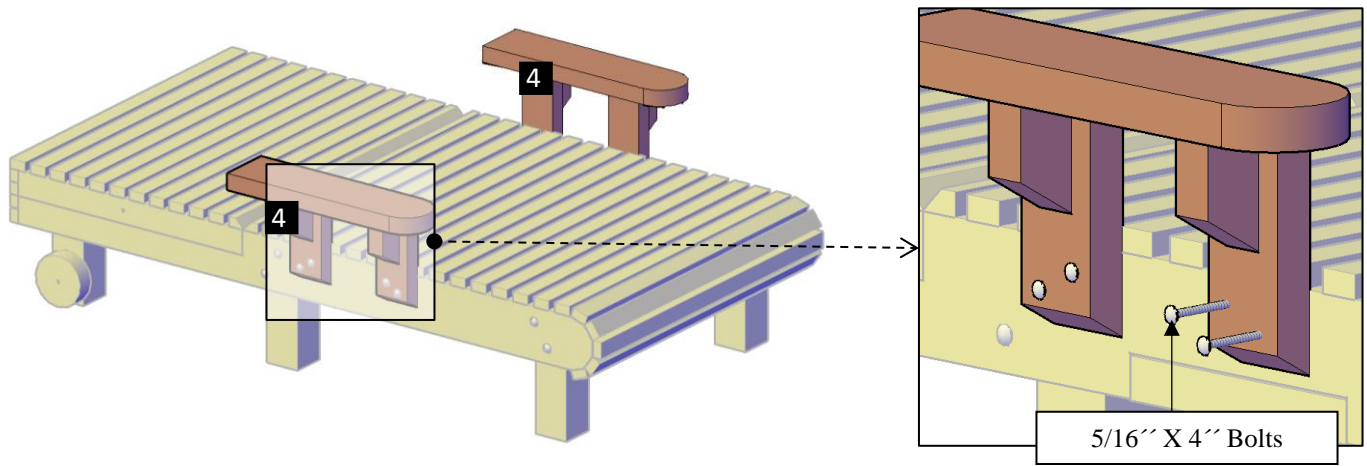
Step 1: Turn the Lounger (1) upside down. After that attach the Legs-A (2) to the lounger with 3/8" x 6" bolts (A). Each part has a series of numbers that indicate where to attach the part with the corresponding number.



Step 2: Use 3/8" x 7" bolts (B) to attach the Legs-B (3) to the lounger. Each part has a series of numbers that indicate where to attach the part with the corresponding number.



Step 3: Finally, turn the lounger over is feet. After that, use 5/16" x 4" bolts (C) to attach the Armrests (4) to the lounger. Each part has a series of numbers that indicate where to attach the part with the corresponding number.





This completes the Lounger assembly. Hope you enjoy your set for many decades. If you ever have a problem or a question, don't hesitate to call us (866 332 2403) or email us. We are here to support you.