



FOREVER REDWOOD

From the Forest, For the Forest since 1995

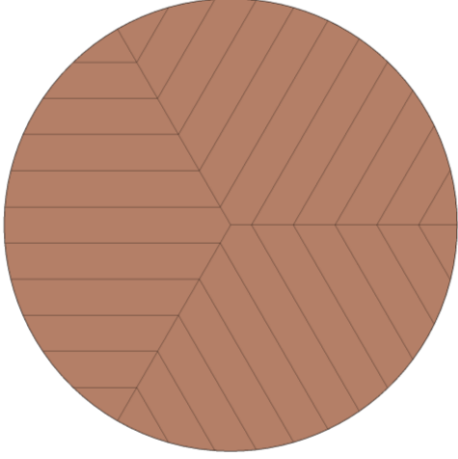

866.332.2403 (TOLL FREE); 7am – 7pm Pacific Time, Monday-Saturday

ASSEMBLY INSTRUCTIONS FOR THE **LISA'S RETRO OUTDOOR PATIO TABLE**



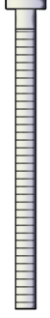


CONTENT OF BOXES

Qty.	Description	Drawing	No.
1	Tabletop		1
3	Legs		2

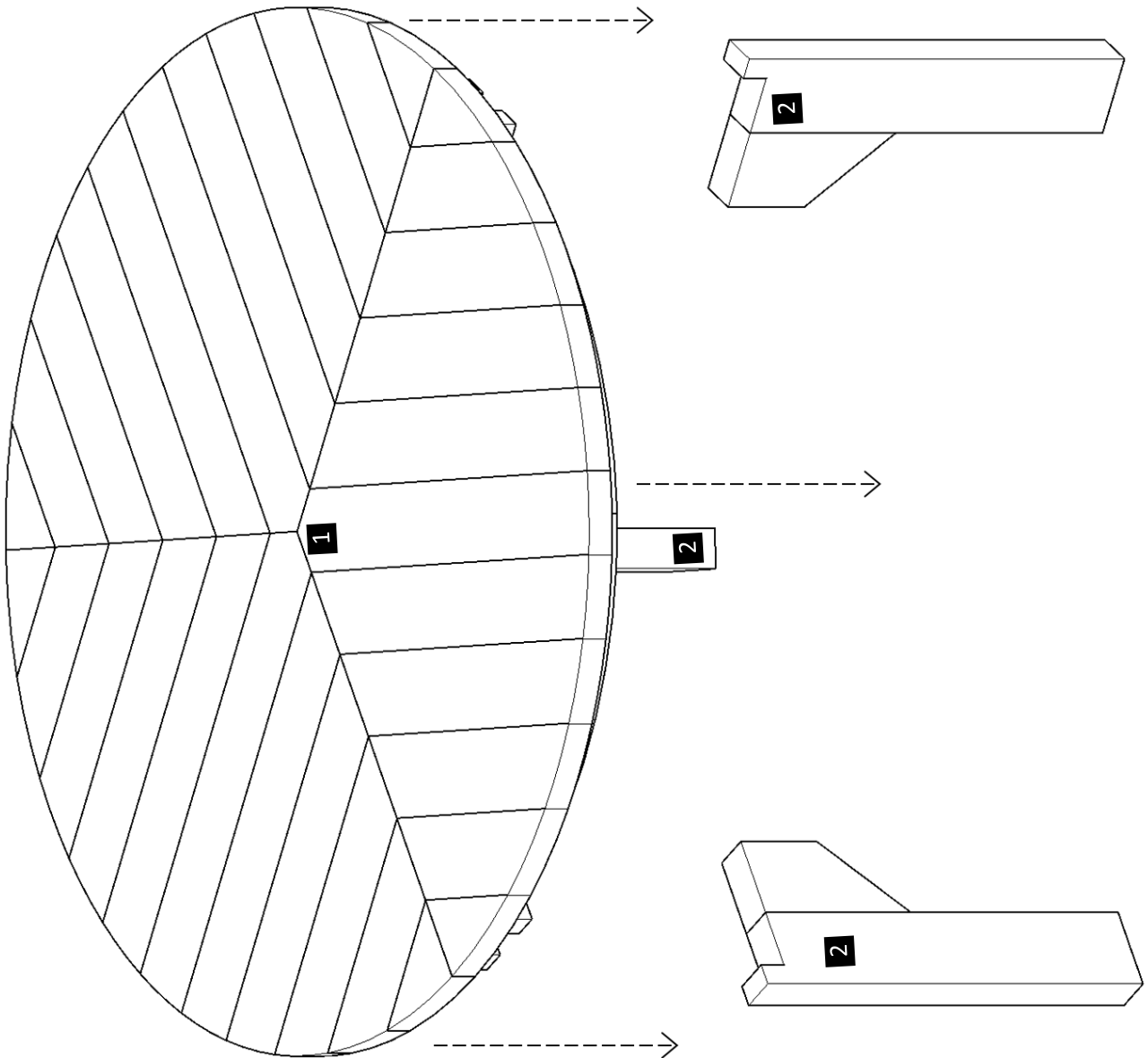
Note: Part numbers in the Content of Boxes Table are for reference only. These do not match to the numbers marked on the parts sent.

HARDWARE LIST

Description	Drawing	No.
3/8'' X 6'' Bolts (To attach the legs to the tabletop).		A

Note: Dimensions of your hardware will vary depending on size.

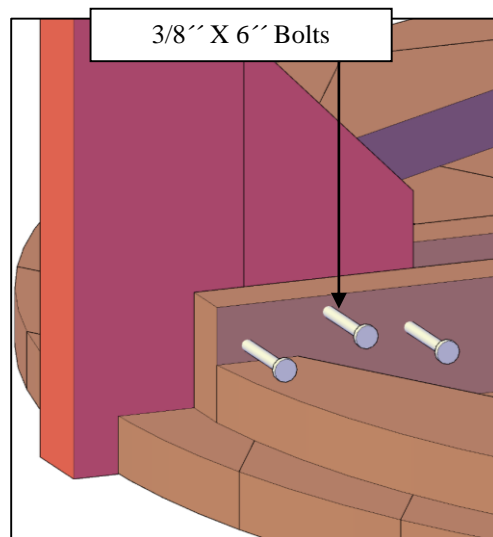
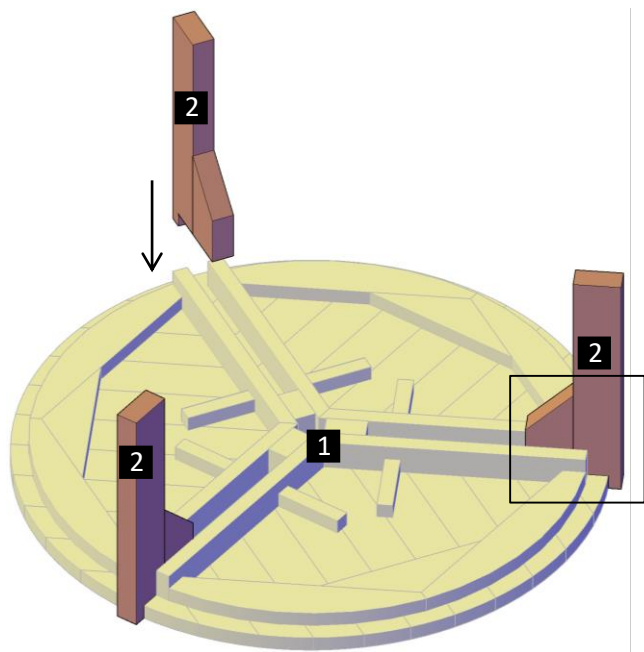




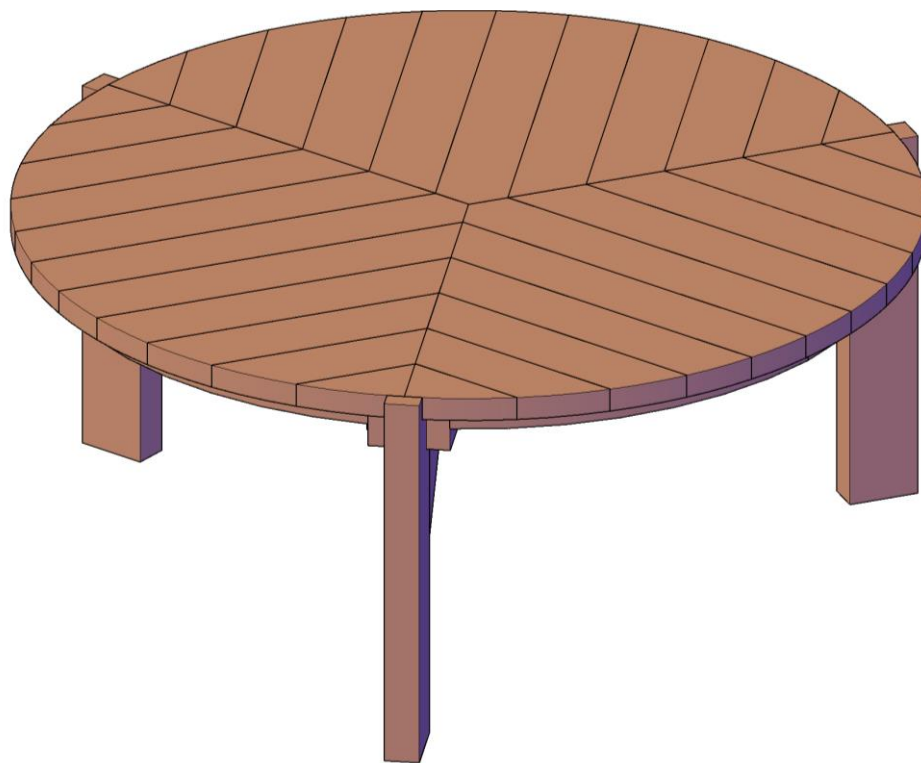
DESCRIPTION	No
Table top	1
Legs	2

Note: Part numbers in the Drawing are for reference only. These do not match to the numbers marked on the parts sent.

Step 1: Place the tabletop upside down. After that, use 3/8" X 6" bolts (A) to attach the legs (2) to the tabletop (2). Each part has a series of numbers that indicate where to attach the part with the corresponding number.



Step 2: Turn tabletop over its feet.





This completes the Table assembly. Hope you enjoy your set for many decades. If you ever have a problem or a question, don't hesitate to call us (866 332 2403) or email us. We are here to support you.