



# FOREVER REDWOOD

*From the Forest, For the Forest since 1995*

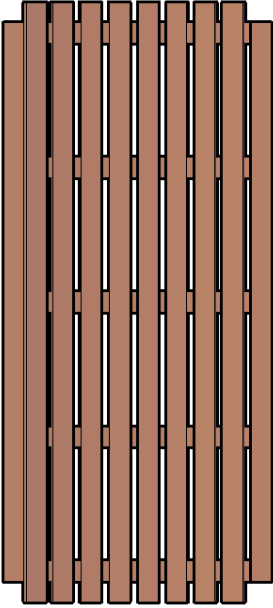
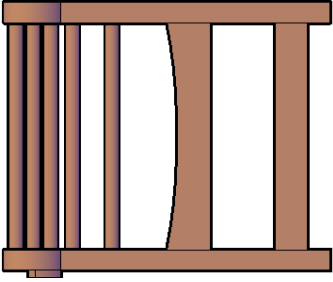
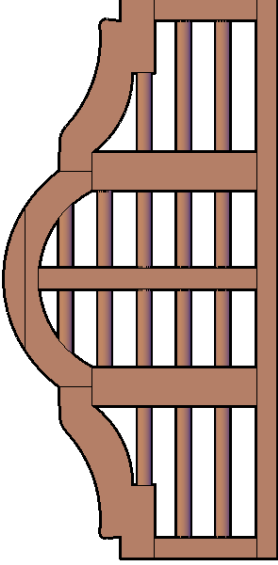
---

866.332.2403 (TOLL FREE); 7am – 7pm Pacific Time, Monday-Saturday

## ASSEMBLY INSTRUCTIONS FOR THE LUTYENS WOODEN BENCH








CONTENT OF BOXES			
Qty.	Description	Drawing	No.
1	Seat		1
2	Legs		2
2	Backrest		3

**Note:** Part numbers in the Content of Boxes Table are for reference only. These do not match to the numbers marked on the parts sent.



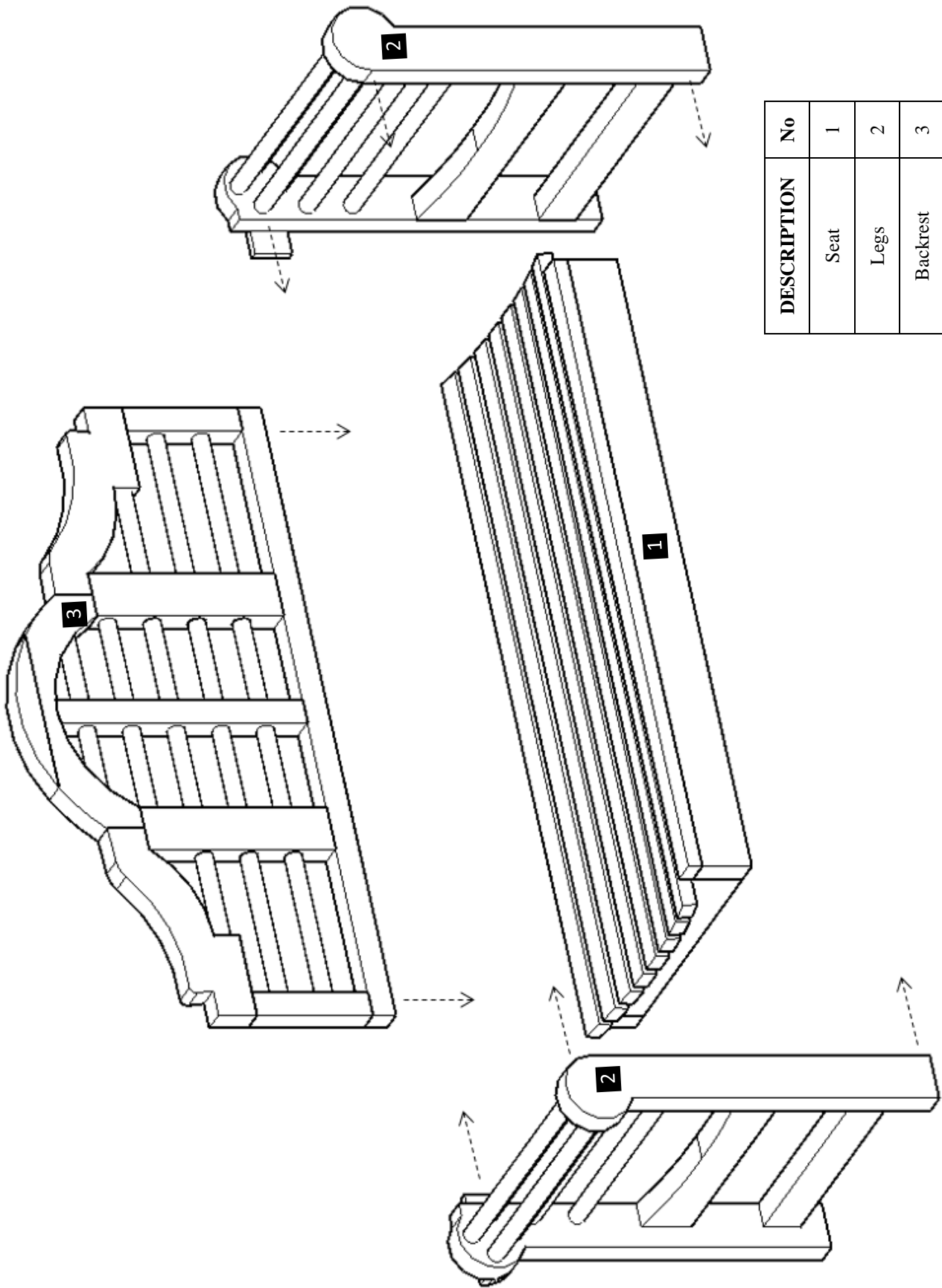


**HARDWARE LIST**

Description	Drawing	No.
5/16" X 3 1/2" Bolts (To attach the seat to the legs).		A
5/16" X 5" Bolts (To attach the backrest to the legs).		B
2" Deck Screws (To attach the backrest to the legs).		C

**Note:** Dimensions of your hardware will vary depending on size.

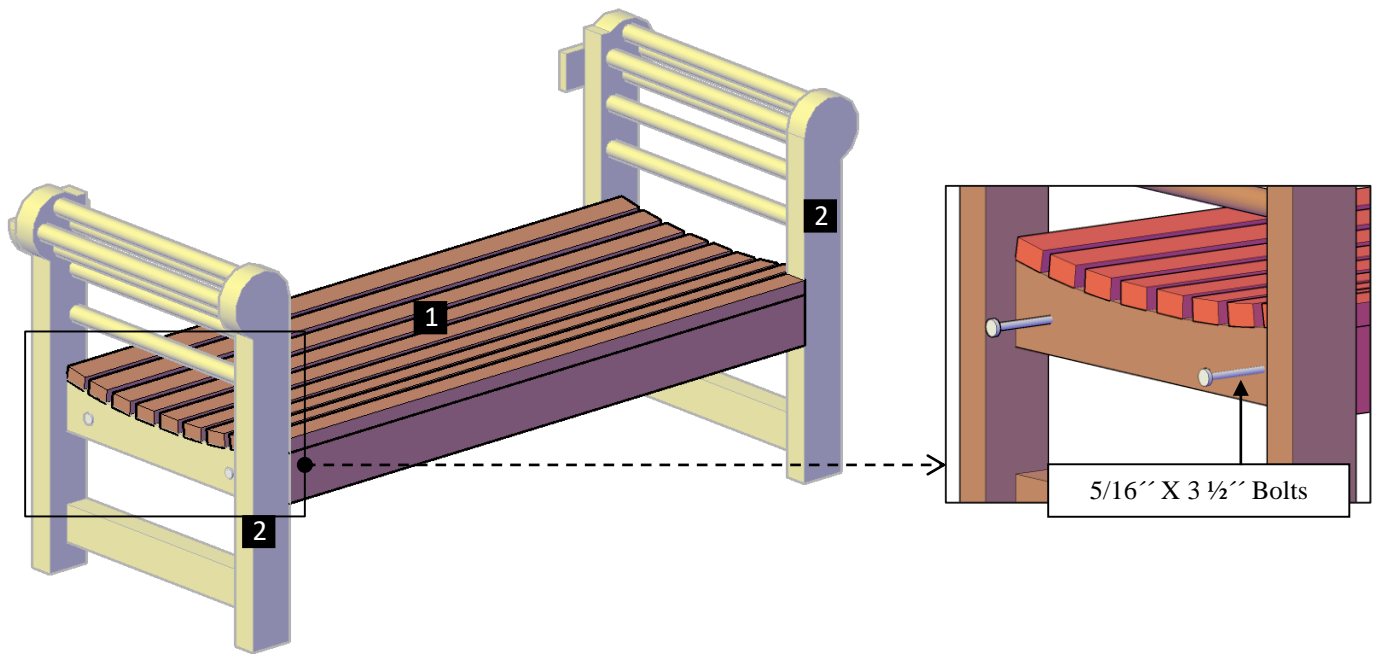




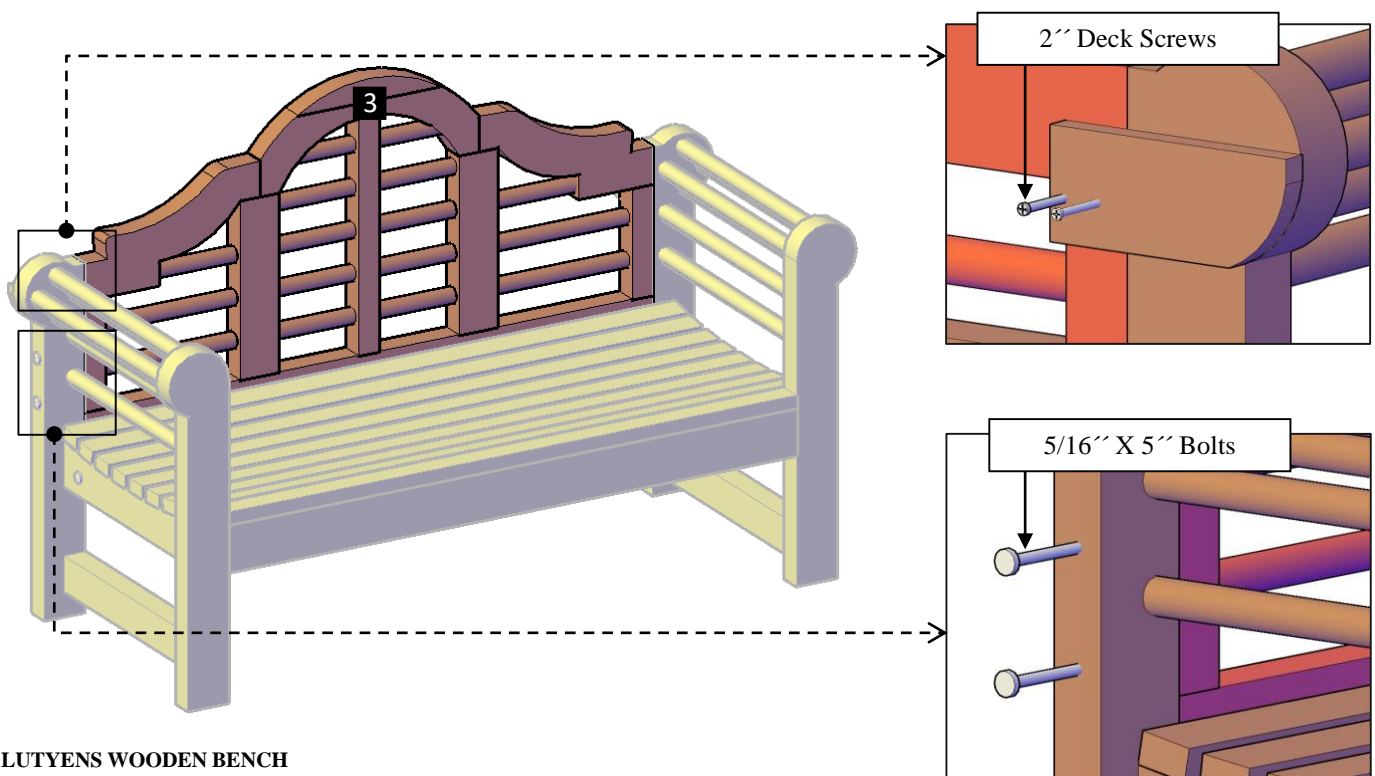
DESCRIPTION	No
Seat	1
Legs	2
Backrest	3

**Note:** Part numbers in the Drawing are for reference only. These do not match to the numbers marked on the parts sent.

**Step 1:** Use 5/16" x 3 1/2" bolts (A) to attach the Seat (1) to the legs (2). Each part has a series of numbers that indicate where to attach the part with the corresponding number.



**Step 2:** Finally, attach the backrest (3) to the legs with 5/16" x 5" bolts (B) and 2" deck screws (C). Each part has a series of numbers that indicate where to attach the part with the corresponding number.





*This completes the Bench assembly. Hope you enjoy your set for many decades. If you ever have a problem or a question, don't hesitate to call us (866 332 2403) or email us. We are here to support you.*