



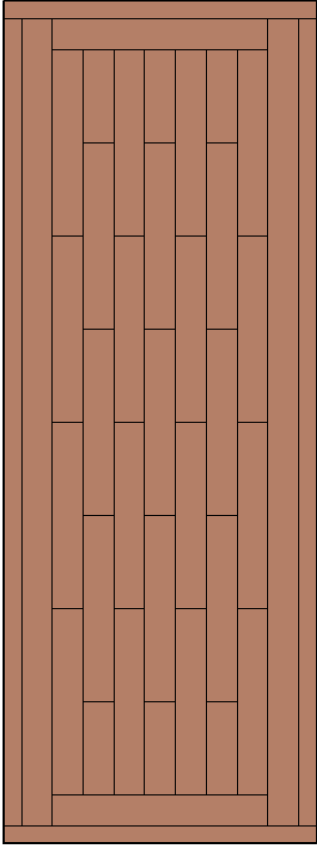
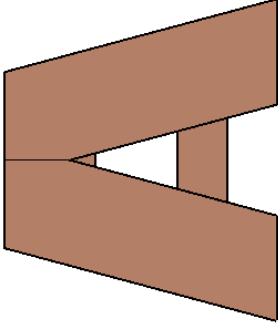

FOREVER REDWOOD

From the Forest, For the Forest since 1995

866.332.2403 (TOLL FREE); 7am – 7pm Pacific Time, Monday-Saturday

ASSEMBLY INSTRUCTIONS FOR THE **PARQUET WOODEN BENCH**

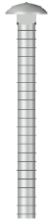




| CONTENT OF BOXES | | | |
|------------------|-------------------|--|-----|
| Qty. | Description | Drawing | No. |
| 1 | Seat |  | 1 |
| 2 | Legs |  | 2 |
| 1 | Diagonal Supports |  | 3 |

Note: Part numbers in the Content of Boxes Table are for reference only. These do not match to the numbers marked on the parts sent.

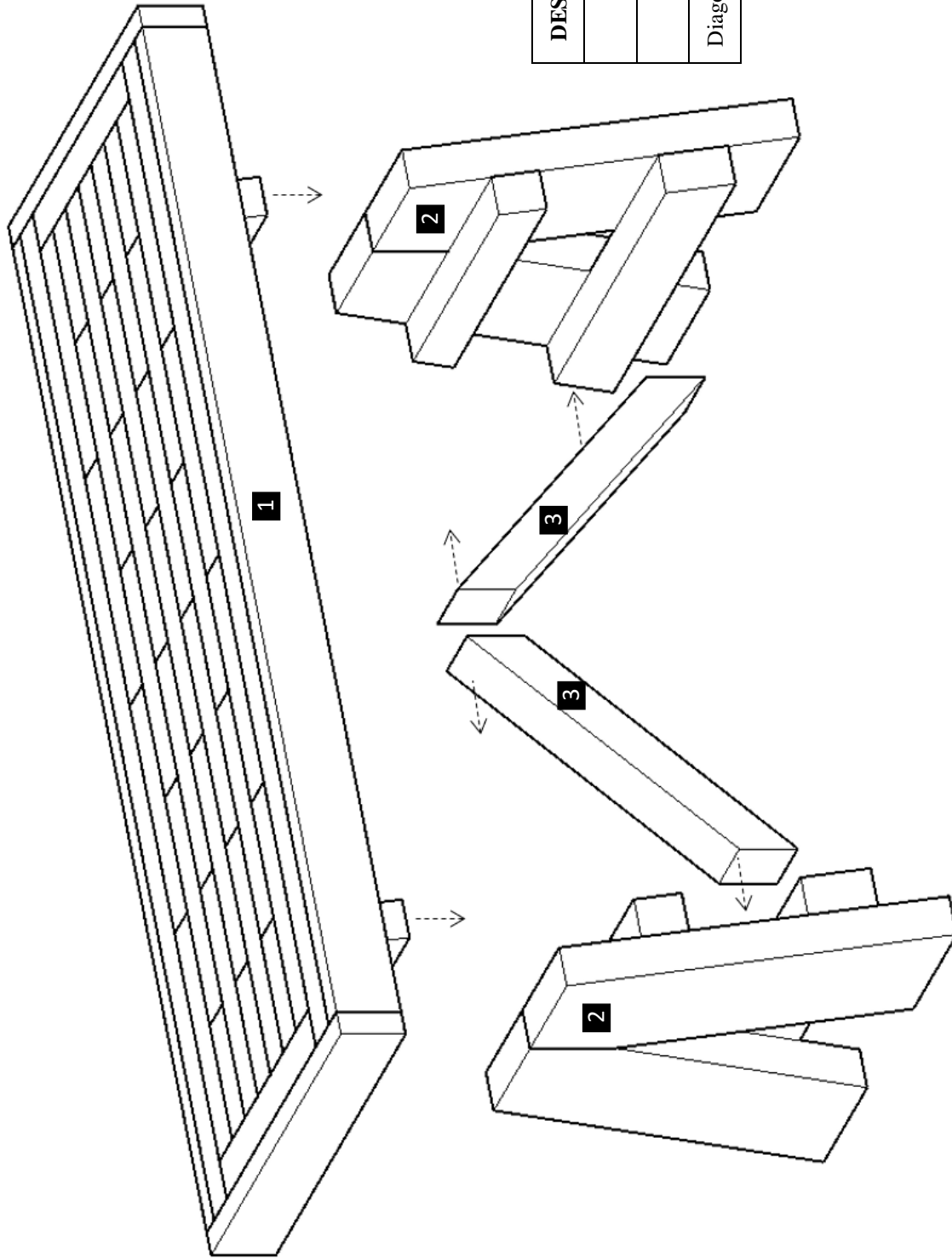


HARDWARE LIST

| Description | Drawing | No. |
|--|---|------------|
| 5/16" X 3 1/2" Bolts (To attach the seat to the legs. / To attach the diagonal supports to the legs and to the seat). |  | A |
| 5/16" Washers |  | B |
| 5/16" Nuts |  | C |

Note: Dimensions of your hardware will vary depending on size.

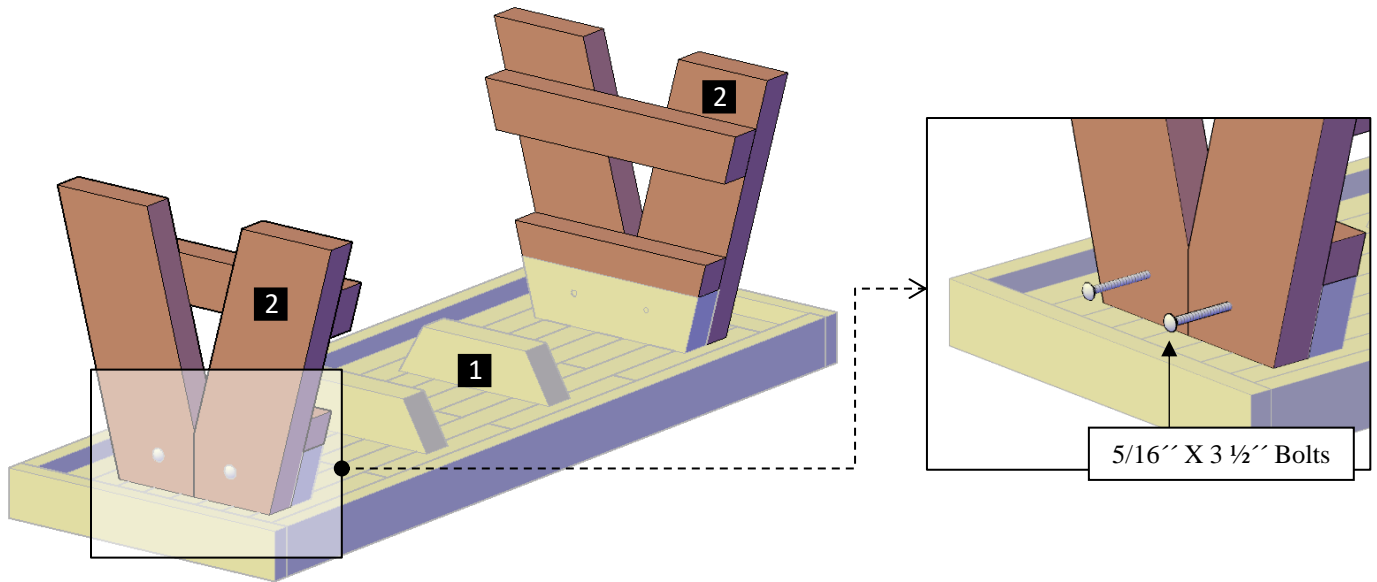




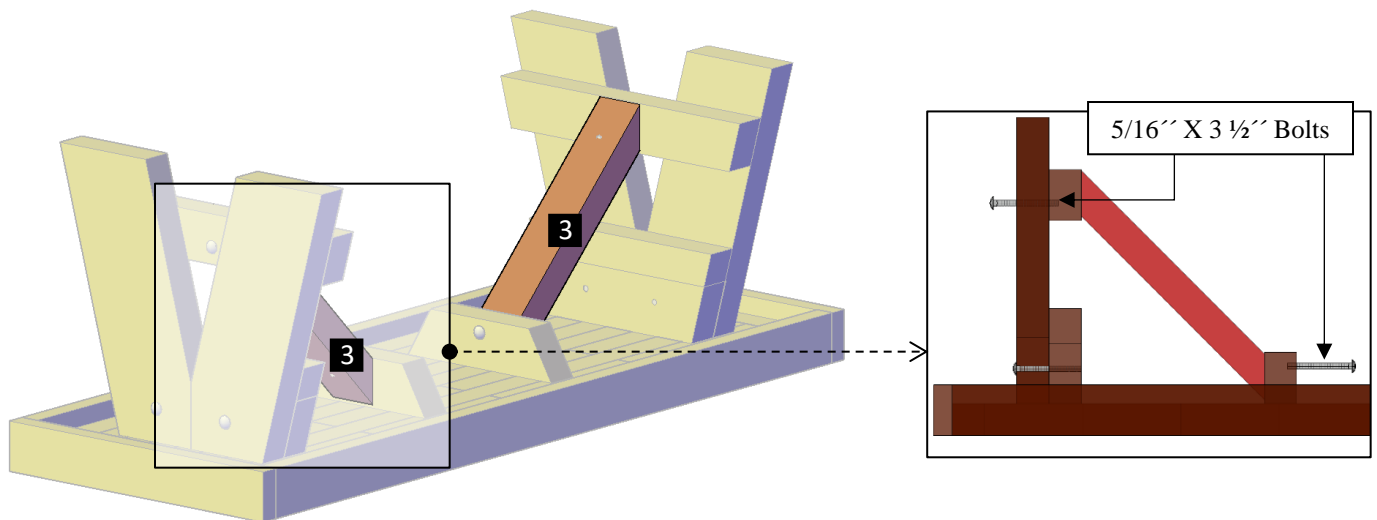
| DESCRIPTION | No |
|-------------------|----|
| Seat | 1 |
| Legs | 2 |
| Diagonal Supports | 3 |

Note: Part numbers in the Drawing are for reference only. These do not match to the numbers marked on the parts sent.

Step 1: Place the seat (1) upside down. After that, use 5/16" x 3 1/2" bolts (A) with washers (B) & nuts (C) to attach the legs (2) to the seat. Each part has a series of numbers that indicate where to attach the part with the corresponding number.



Step 2: Finally, attach the diagonal supports (3) to the legs and to the seat with 5/16" x 3 1/2" bolts (A), washers (B) & nuts (C). Each part has a series of numbers that indicate where to attach the part with the corresponding number.



Step 3: Finally, turn the bench over its feet.



This completes the Bench Assembly. Hope you enjoy your set for many decades. If you ever have a problem or a question, don't hesitate to call us (866 332 2403) or email us. We are here to support you.