



FOREVER REDWOOD

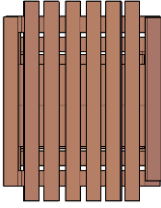
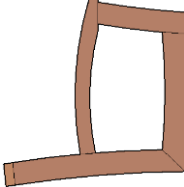
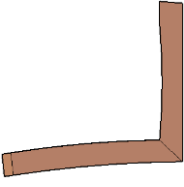
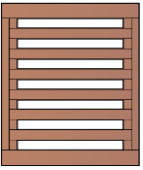
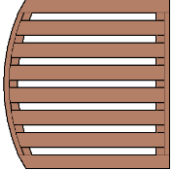
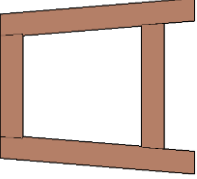
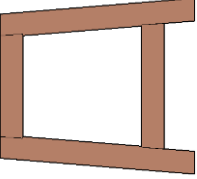
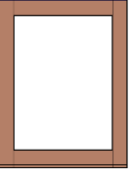
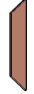
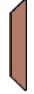
From the Forest, For the Forest since 1995

866.332.2403 (TOLL FREE); 7am – 7pm Pacific Time, Monday-Saturday

ASSEMBLY INSTRUCTIONS FOR THE **REDWOOD COCKTAIL BAR STOOL WITH SWIVEL**



CONTENT OF BOXES



Qty.	Description	Drawing		No.
1	Seat			1
2	Armrest (With arms or Armless)			2
		With Arms 	Armless 	
1	Backrest (Standard or Luna)	Standard Backrest 	Luna Backrest 	4
2	Legs			
1	Base Support			6
2	Diagonal Supports			

Note: Part numbers in the Content of Boxes Table are for reference only. These do not match to the numbers marked on the parts sent.



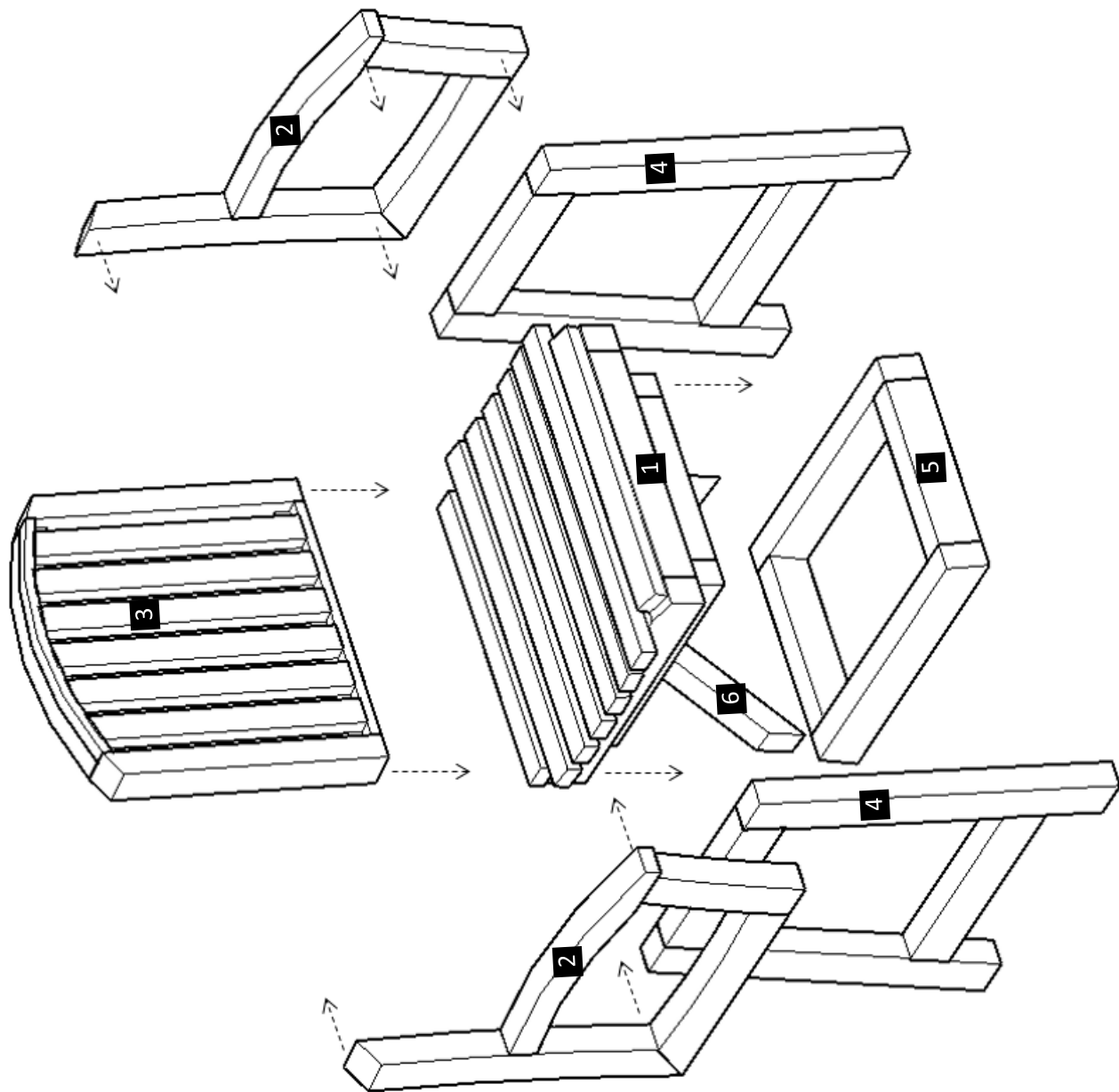


HARDWARE LIST

Description	Drawing	No.
<p>5/16" X 3 1/2" Bolts (To attach the armrest, the legs and the diagonal supports to the seat. / To attach the backrest to the armrest. / To attach the support base to the legs).</p>		A
<p>5/16" X 4 1/2" Bolts (To attach the diagonal supports to the legs).</p>		B

Note: Dimensions of your hardware will vary depending on size.

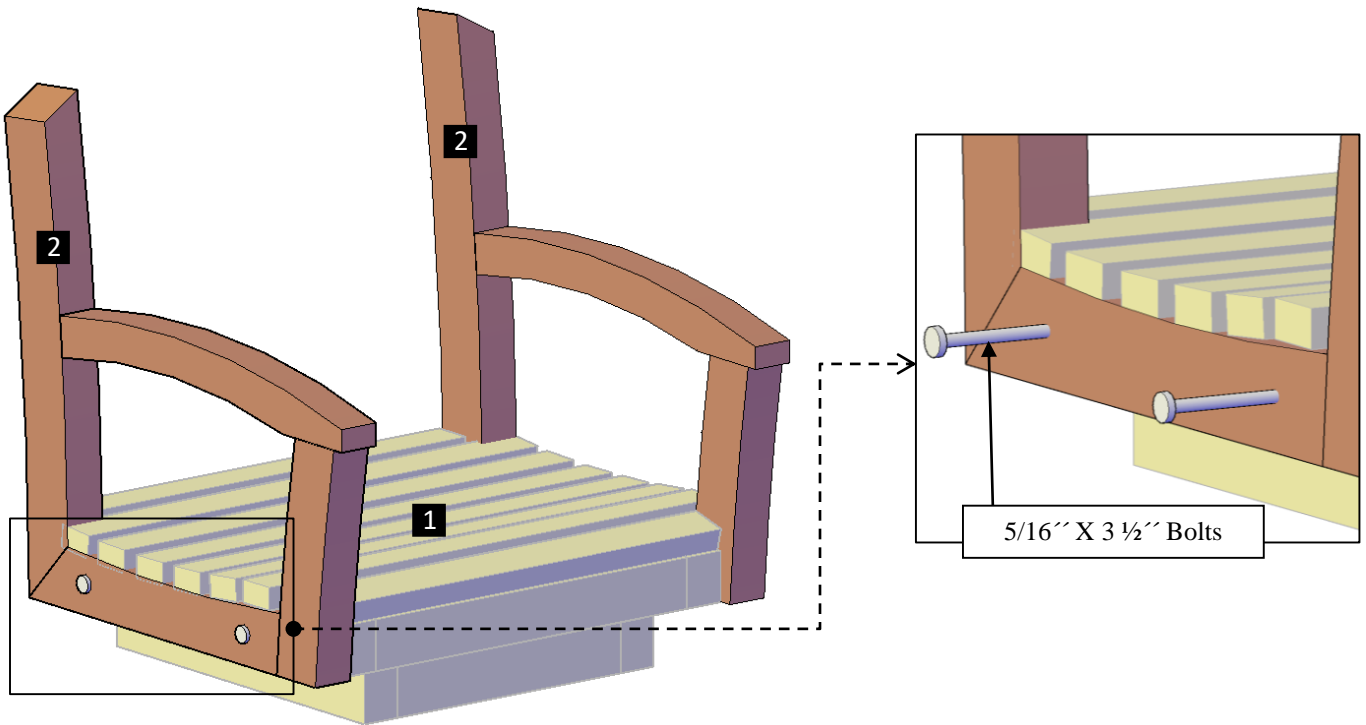




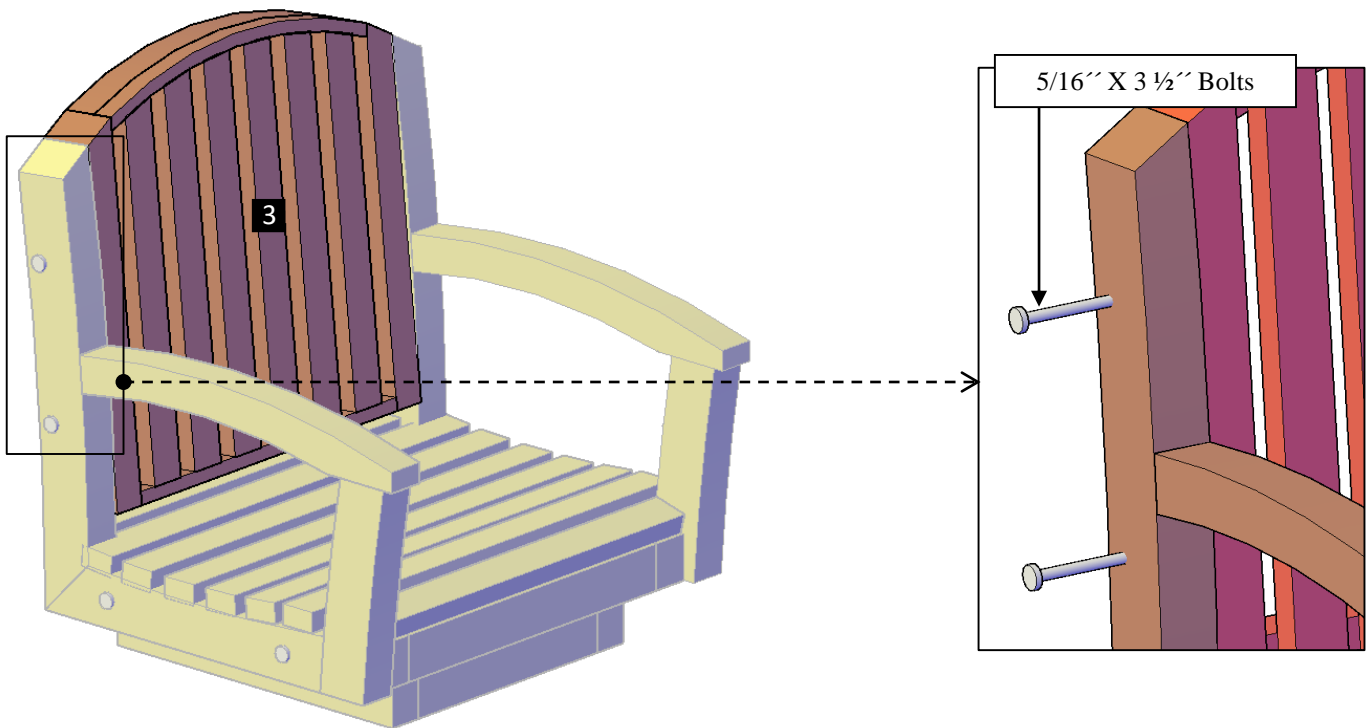
DESCRIPTION	No
Seat	1
Armrest	2
Backrest	3
Legs	4
Support Base	5
Diagonal Supports	6

Note: Part numbers in the Drawing are for reference only. These do not match to the numbers marked on the parts sent.

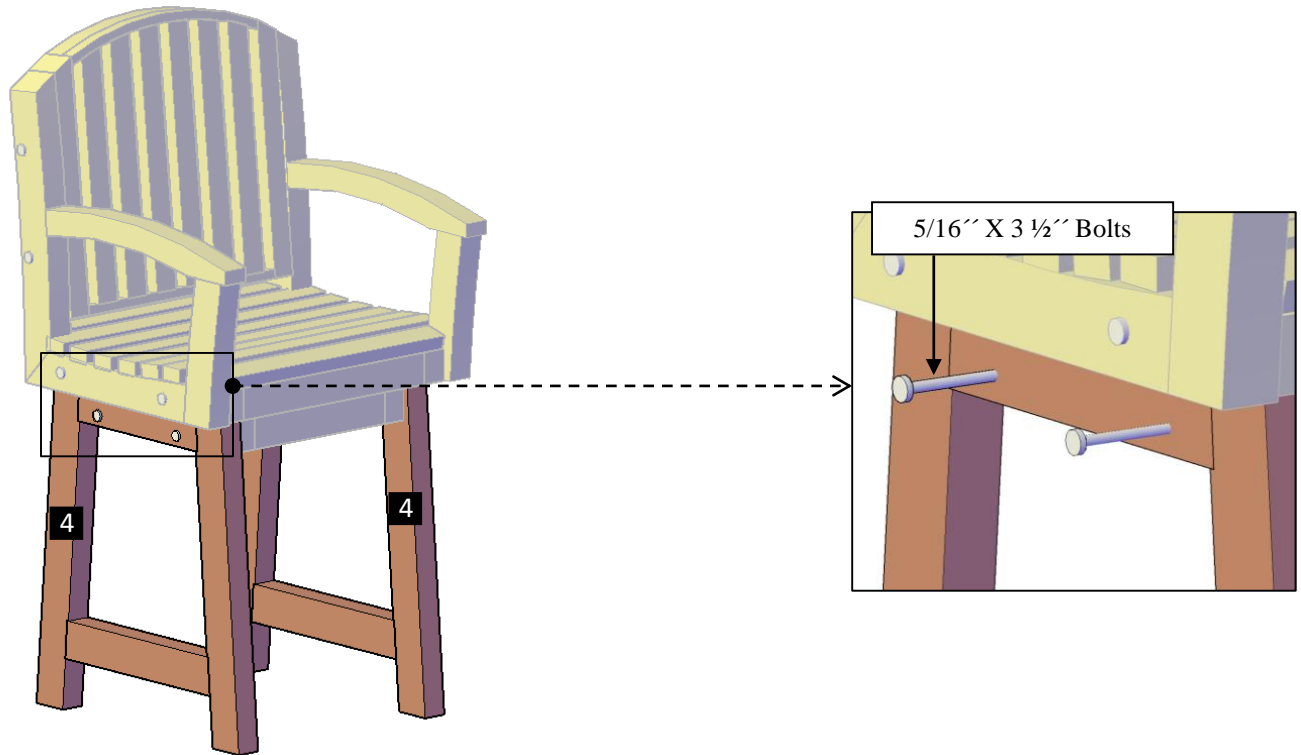
Step 1: Use 5/16" x 3 1/2" bolts (A) to attach the armrests (2) to the seat (1). Each part has a series of numbers that indicate where to attach the part with the corresponding number.



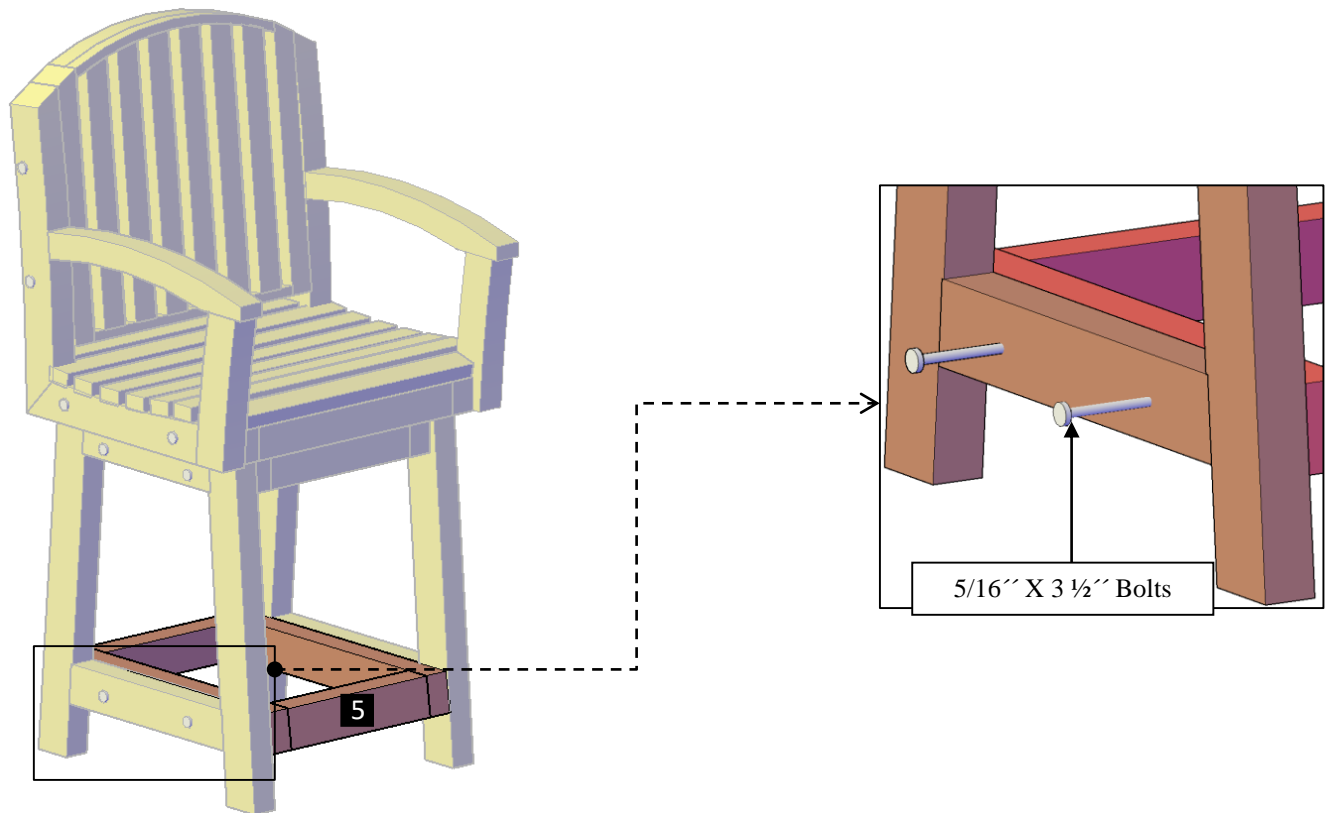
Step 2: Attach the backrest (3) to the armrests with 5/16" x 3 1/2" bolts (A). Each part has a series of numbers that indicate where to attach the part with the corresponding number.



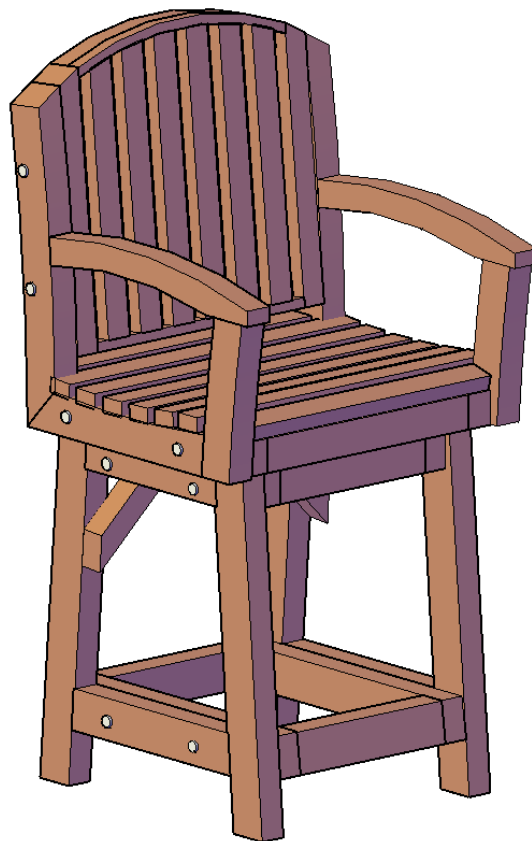
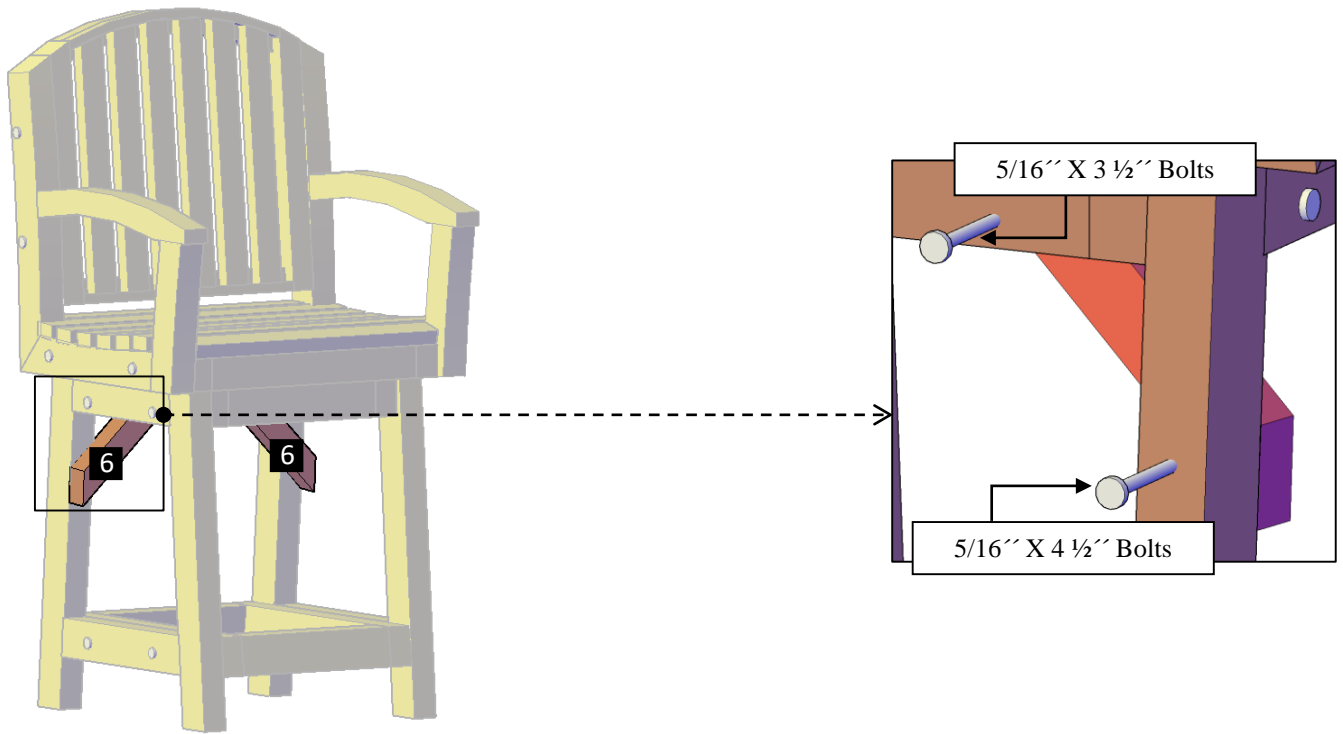
Step 3: Use 5/16" x 3 1/2" bolts (A) to attach the legs (4) to the seat. Each part has a series of numbers that indicate where to attach the part with the corresponding number.



Step 4: Attach the base support (5) to the legs with 5/16" x 3 1/2" bolts (A). Each part has a series of numbers that indicate where to attach the part with the corresponding number.



Step 5: Finally, attach the diagonal supports (6) to the legs with 5/16" x 4 1/2" bolts (B) and to the seat with 5/16" x 3 1/2" bolts (A). Each part has a series of numbers that indicate where to attach the part with the corresponding number.





This completes the Bar Stool Assembly. Hope you enjoy your set for many decades. If you ever have a problem or a question, don't hesitate to call us (866 332 2403) or email us. We are here to support you.