



FOREVER REDWOOD

From the Forest, For the Forest since 1995

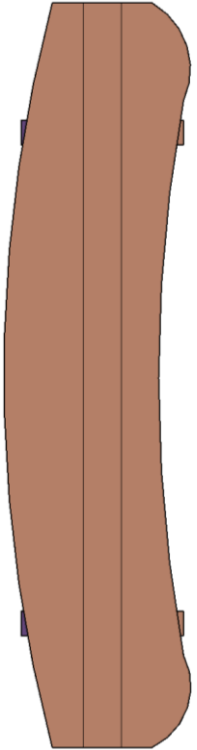
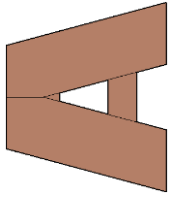
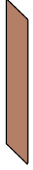
866.332.2403 (TOLL FREE); 7am – 7pm Pacific Time, Monday-Saturday

ASSEMBLY INSTRUCTIONS FOR THE ROUND WOOD PICNIC BENCH



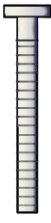
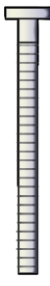


CONTENT OF BOXES

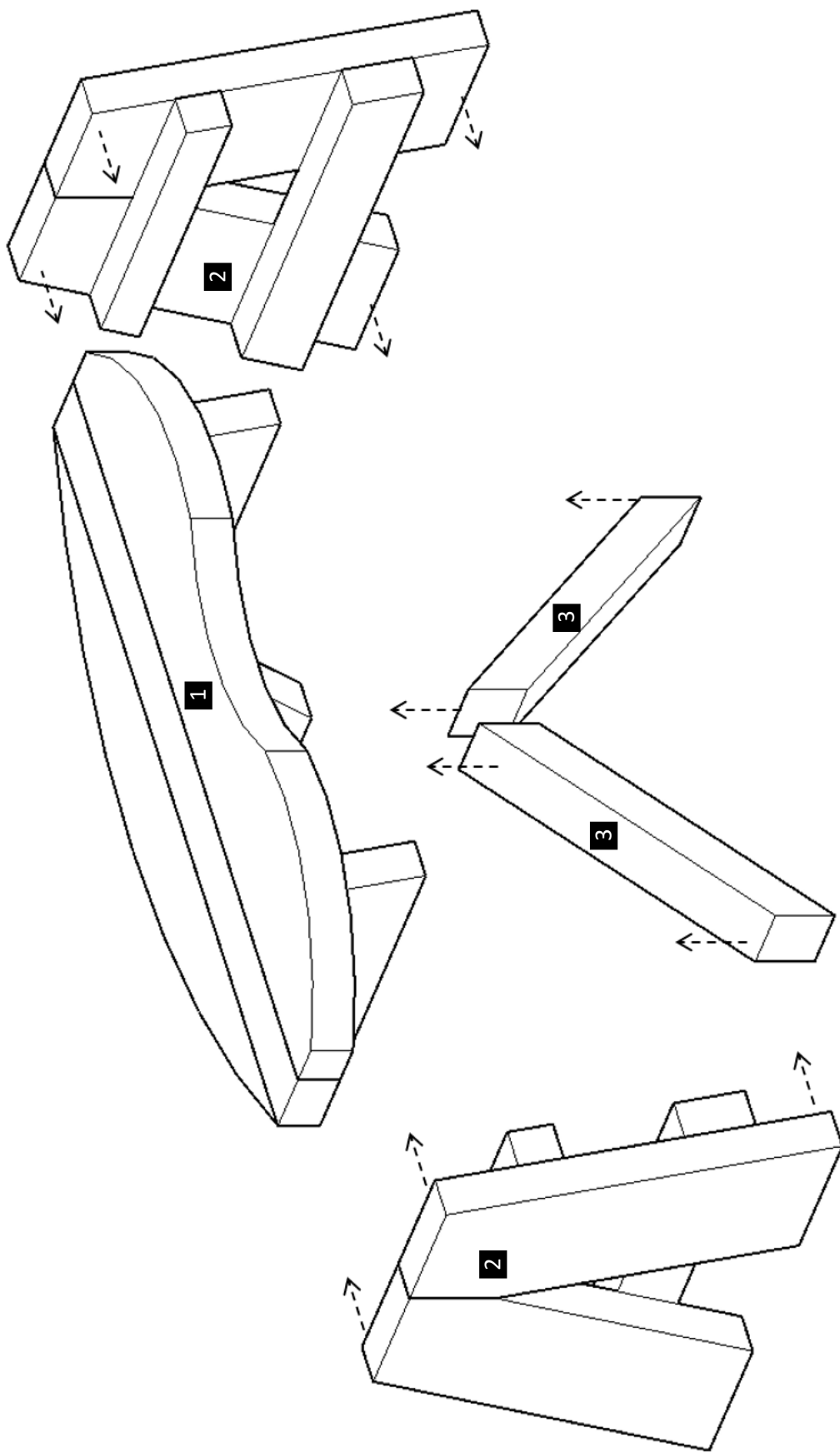
Qty.	Description	Drawing	No.
1	Seat		1
2	Legs		2
2	Diagonal Support		3

Note: Part numbers in the Content of Boxes Table are for reference only. These do not match to the numbers marked on the parts sent.

HARDWARE LIST

Description	Drawing	No.
5/16" X 3 1/2" Bolts (To attach the Seat to the legs. / To attach the diagonal supports to the legs and to the seat).		A
5/16" X 4 1/2" Bolts (To attach the diagonal supports to the seat).		B

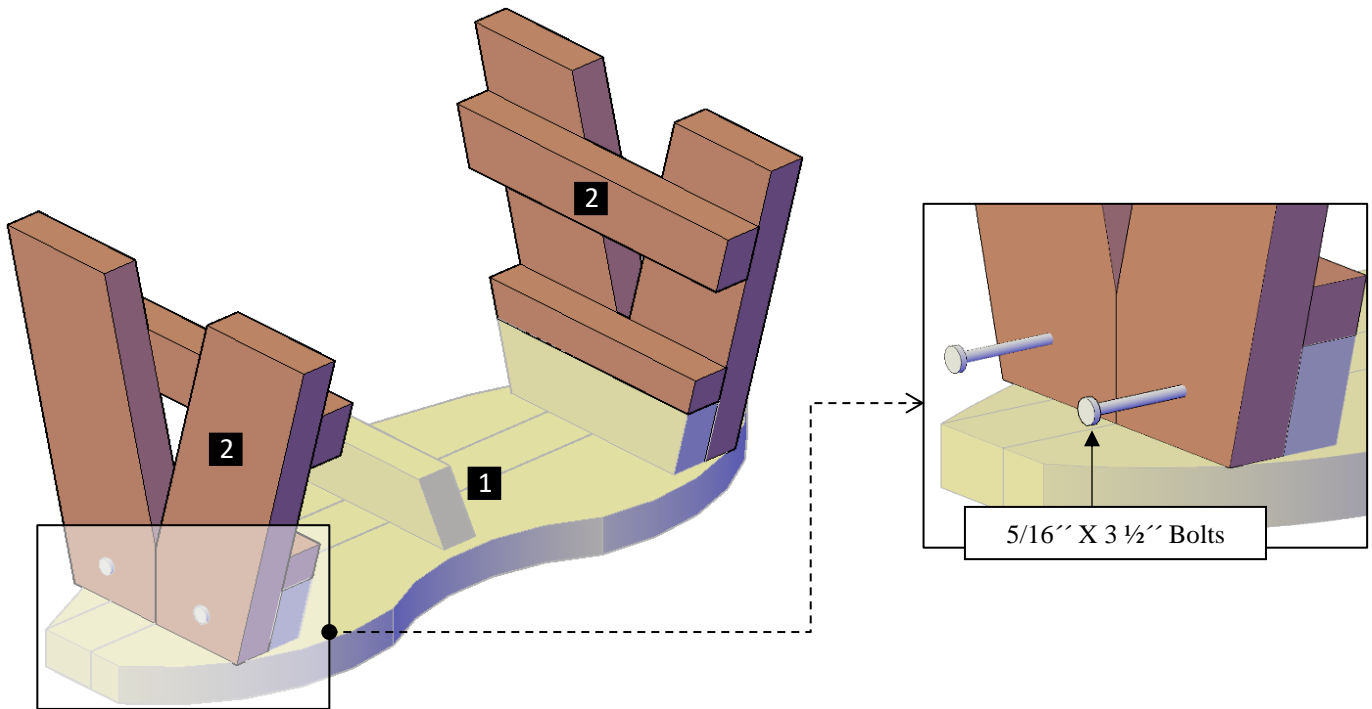
Note: Dimensions of your hardware will vary depending on size.



DESCRIPTION	No
Seat	1
Legs	2
Diagonal Support	3

*Note: Part numbers in the Drawing are for reference only.
These do not match to the numbers marked on the parts sent.*

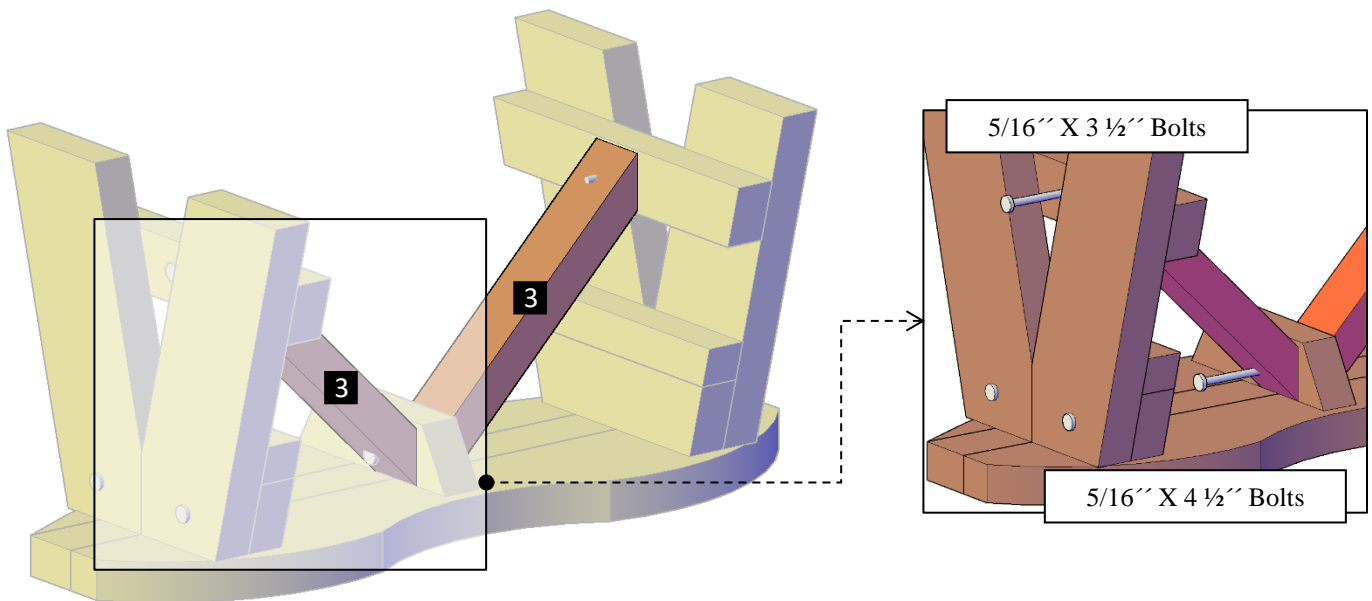
Step 1: Place the seat upside down. After that, use 5/16" x 3 1/2" bolts (A) to attach the Seat (1) to the legs (2). Each part has a series of numbers that indicate where to attach the part with the corresponding number.



Step 2: Attach the diagonal supports to the legs and to the seat. As shown below.

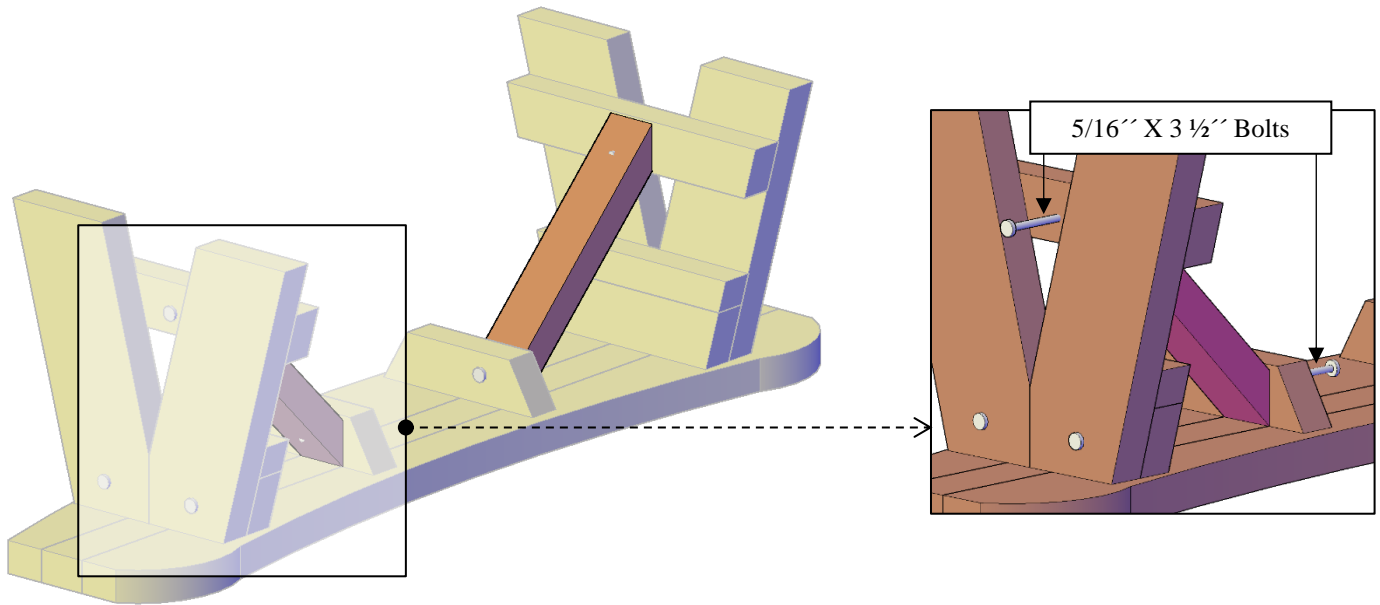
Small Benches

Attach the diagonal supports (3) to the legs with 5/16" x 3 1/2" bolts (A) and to the seat with a 5/16" x 4 1/2" bolt (B). Each part has a series of numbers that indicate where to attach the part with the corresponding number.



Large Benches

Attach the diagonal supports (3) to the legs and to the seat with 5/16" x 3 1/2" bolts (A). Each part has a series of numbers that indicate where to attach the part with the corresponding number.



Step 3: Finally, turn the bench over its feet.



This completes the Bench assembly. Hope you enjoy your set for many decades. If you ever have a problem or a question, don't hesitate to call us (866 332 2403) or email us. We are here to support you.