



FOREVER REDWOOD

From the Forest, For the Forest since 1995

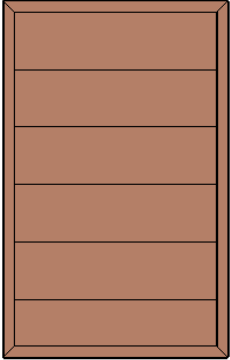
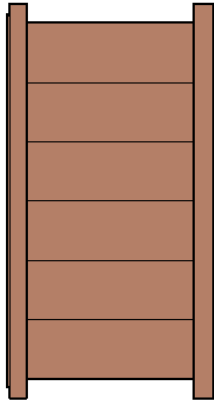
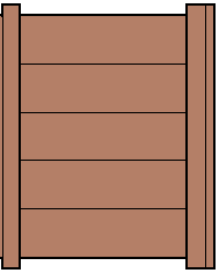
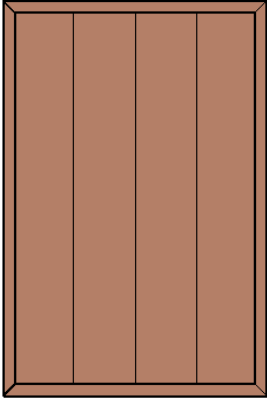
866.332.2403 (TOLL FREE); 7am – 7pm Pacific Time, Monday-Saturday

ASSEMBLY INSTRUCTIONS FOR THE **TRADITIONAL WOODEN STORAGE BENCH**





CONTENT OF BOXES



| Qty. | Description | Drawing | No. |
|------|-------------|--|-----|
| 1 | Floor |  | 1 |
| 2 | Long Walls |  | 2 |
| 2 | Short Walls |  | 3 |
| 1 | Lid |  | 4 |

Note: Part numbers in the Content of Boxes Table are for reference only. These do not match to the numbers marked on the parts sent.



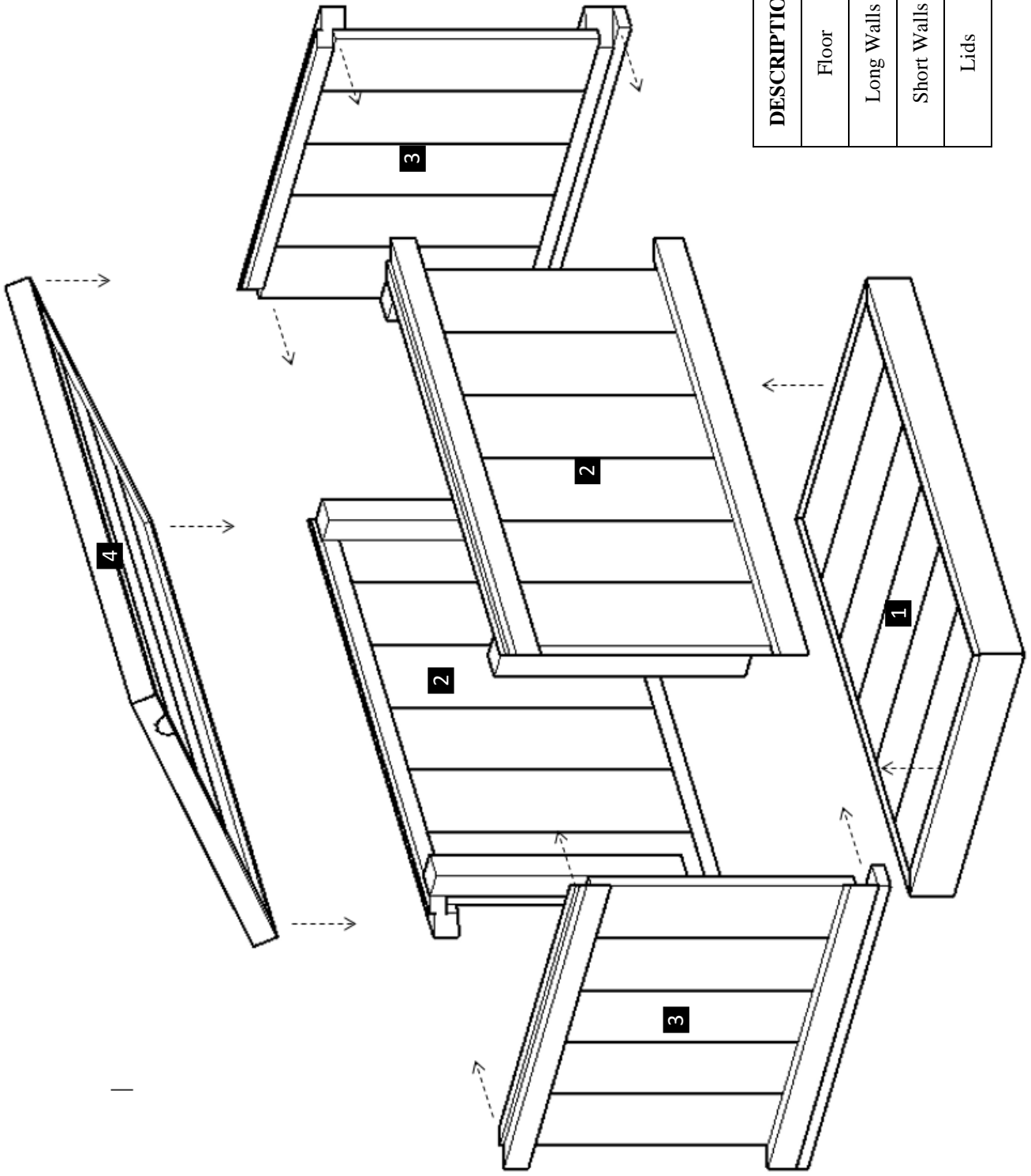


HARDWARE LIST

| Description | Drawing | No. |
|--|---|------------|
| 5/16" X 4" Bolts (To attach the long walls to the floor). |  | A |
| 5/16" X 2 1/2" Bolts (To attach the short walls to the long walls). |  | B |

Note: Dimensions of your hardware will vary depending on size.



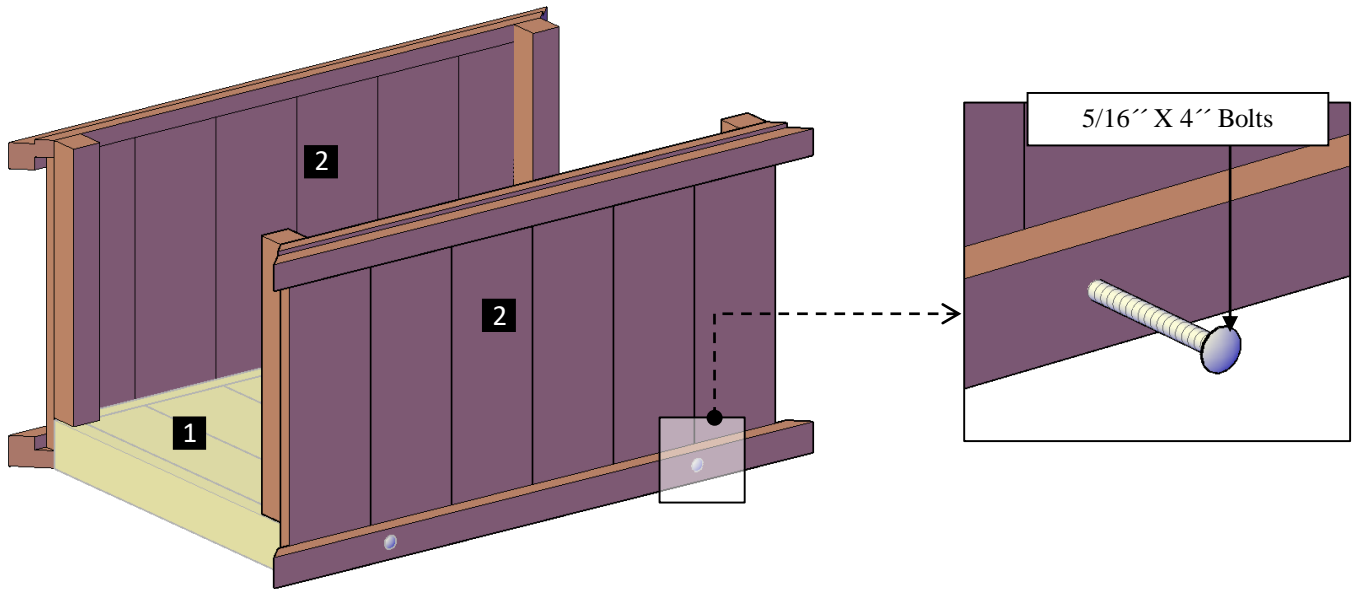


| DESCRIPTION | No |
|-------------|----|
| Floor | 1 |
| Long Walls | 2 |
| Short Walls | 3 |
| Lids | 4 |

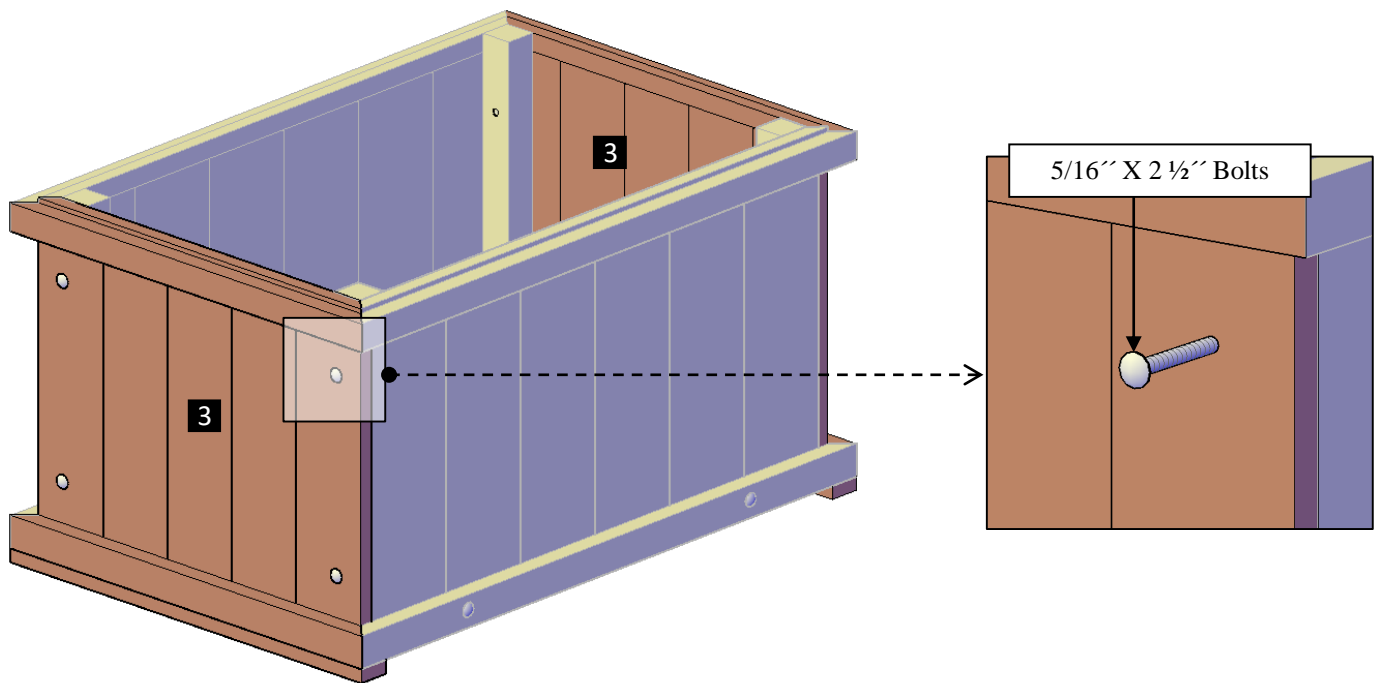
Note: Part numbers in the Drawing are for reference only. These do not match to the numbers marked on the parts sent.



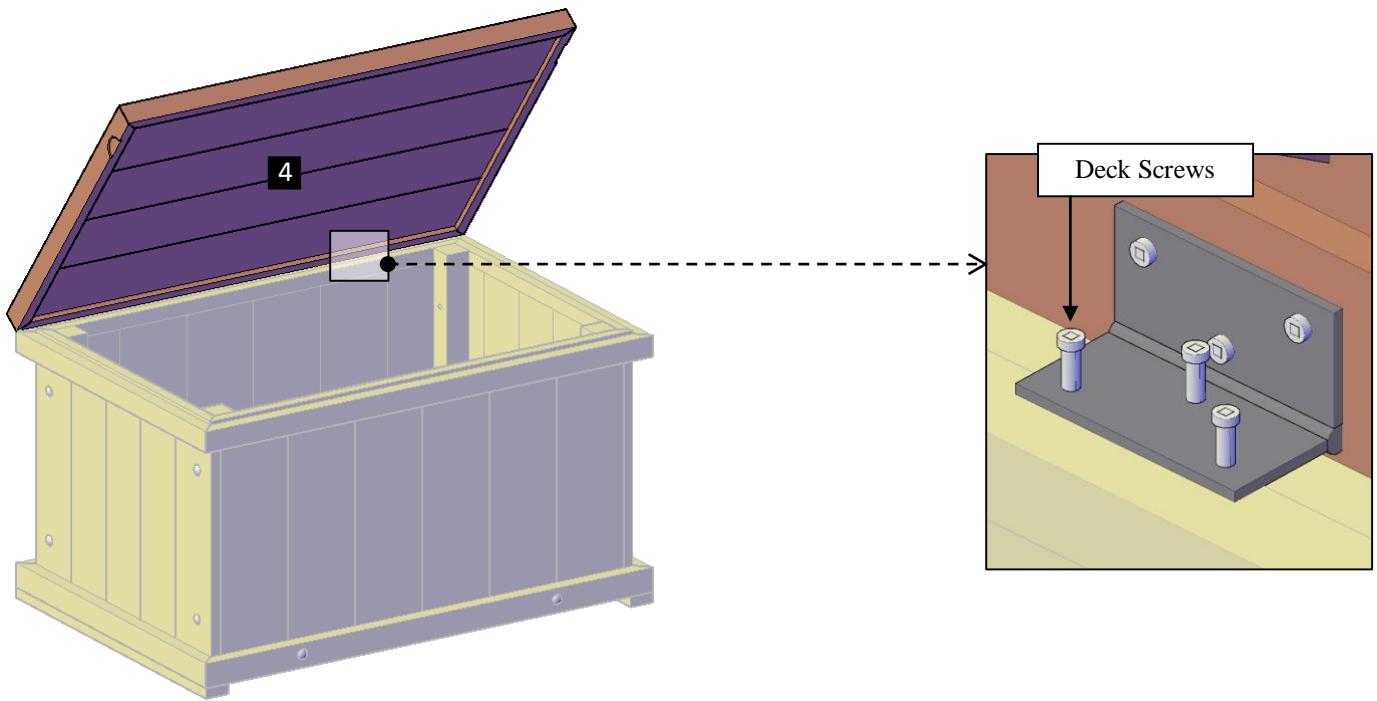
Step 1: Use 5/16" x 4" bolts (A) to attach the long walls (2) to the floor (1). Each part has a series of numbers that indicate where to attach the part with the corresponding number.



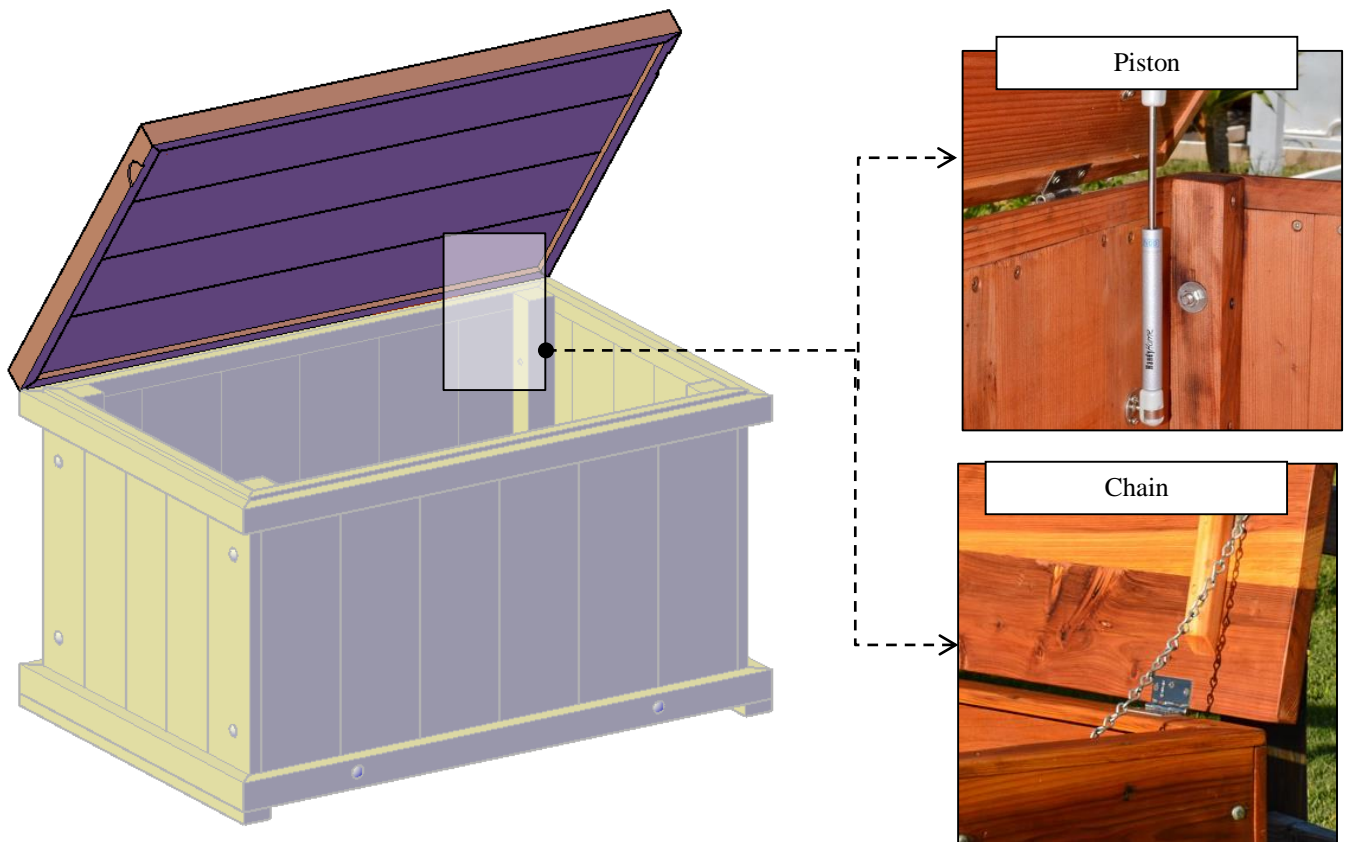
Step 2: Attach the short walls (3) to the long walls with 5/16" x 2 1/2" bolts (B), as shown below. Each part has a series of numbers that indicate where to attach the part with the corresponding number.



Step 3: Use deck screws to attach the lid (4) to the long wall. Each part has a series of numbers that indicate where to attach the part with the corresponding number.



Step 4: Finally, joint the pistons to the lids. Or, attach the chains to the walls.





This completes the Storage Bench assembly. Hope you enjoy your set for many decades. If you ever have a problem or a question, don't hesitate to call us (866 332 2403) or email us. We are here to support you.