



Old-Growth Again  
Restoring Logged Forests  
One Tree At A Time



ASSEMBLY INSTRUCTIONS FOR:  
VETERAN'S MEMORIAL BENCH  
(All sizes)



Old-Growth Again  
 Restoring Logged Forests  
 One Tree At A Time



## VETERANS MEMORIAL BENCH (ALL SIZES)

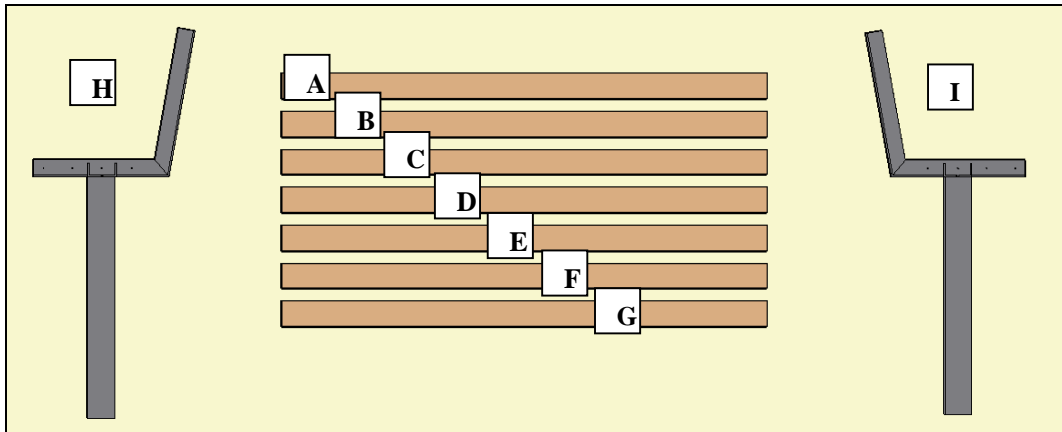
**Number of boxes: 1**

**Box 1 :**

Quantity	Description	Drawing
14	Lag bolts 3"x 5/16"	
7	Boards	
2	Seat & backrest assemblies left (H) & right (I)	

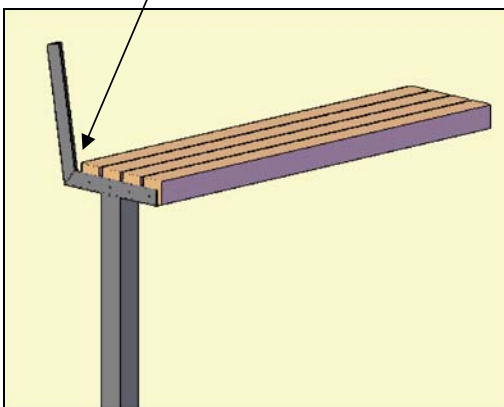
# ASSEMBLY INSTRUCTIONS

## CONTENT OF THE BOXES



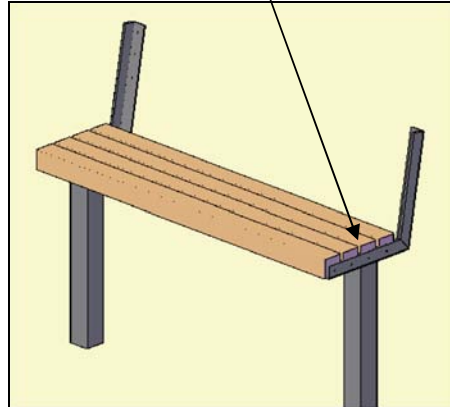
### **STEP 1:**

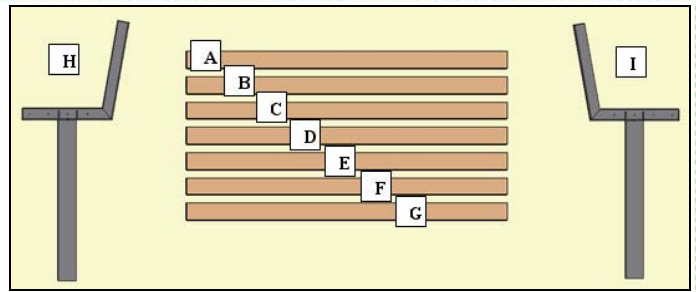
Attach part A, B, C, and D (boards) to part H (Seat & backrest assembly left), with four lag bolts (3"x 5/16").



### **STEP 2:**

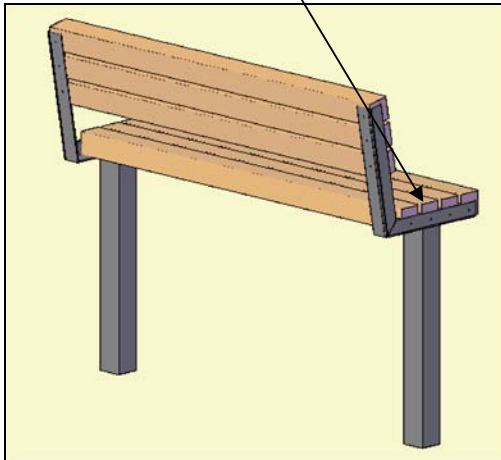
Attach part A, B, C, and D (boards) to part I (Seat & backrest assembly right), with four lag bolts (3"x 5/16").





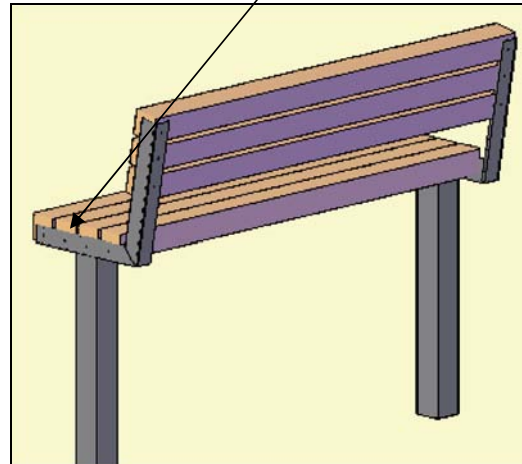
**STEP 3:**

Attach part E, F and G boards to part H (Seat & backrest assembly right), with three lag bolts (3"x 5/16").



**STEP 4:**

Attach part E, F and G boards to part I (Seat & backrest assembly right), with three lag bolts (3"x 5/16").



**STEP 5:**

The metal framing can be ordered as shown to bury underground with concrete 18" deep or the bottom can be bolted to the ground in the alternative method shown with anchor bolts into an existing concrete floor.



Four anchor bolts (3/2 ") for each one leg.