



Old-Growth Again
Restoring Logged Forests
One Tree At A Time



ASSEMBLY INSTRUCTIONS FOR: JULIA'S HALL TREE (All Sizes)





JULIA'S HALL TREE (All sizes)

Number of boxes: 3

Box 1 of 3:

Quantity	Description	Drawing
20	Deck Screws 8"x 3"	
4	Deck Screws 6"x 1 5/8"	
4	Hangers with Deck screws	
2	Leg assembly right (C) and leg assembly left (B) (71 1/2")	Drawing showing two horizontal wooden bars, labeled B and C, representing leg assemblies.
2	Cantilever Supports (E and F)	Drawing showing two curved wooden brackets, labeled E and F, representing cantilever supports.
1	Hanger Board (G) (28 7/8")	Drawing showing a single horizontal wooden board, labeled G, representing a hanger board.

Box 2 of 3:

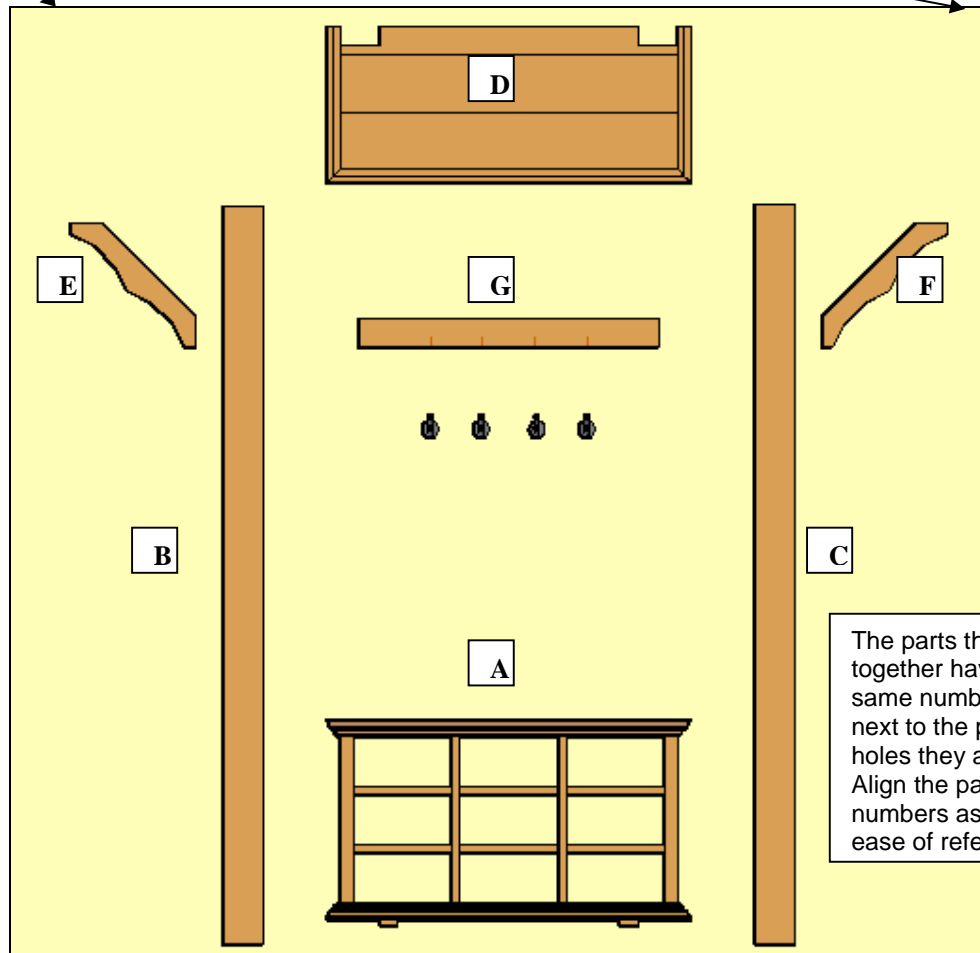
Quantity	Description	Drawing
1	Bench Seat and shoe storage cubby (A)	Drawing showing a wooden bench seat with a shoe storage cubby, labeled A.

Box 3 of 3:

Quantity	Description	Drawing
1	Top Shelf (D)	Drawing showing a wooden top shelf, labeled D.

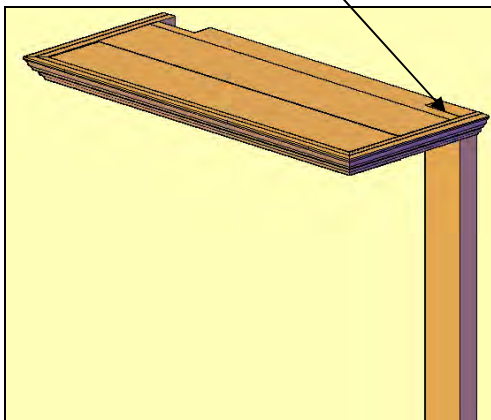
ASSEMBLY INSTRUCTIONS

CONTENT OF THE BOXES



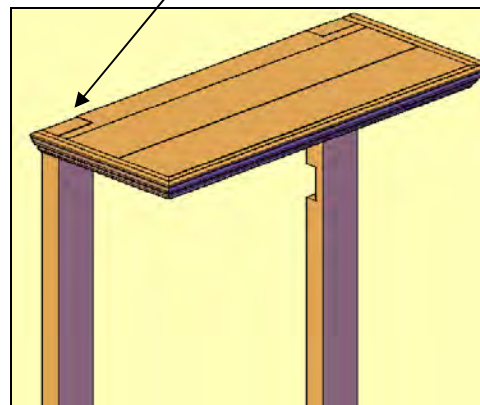
STEP 1:

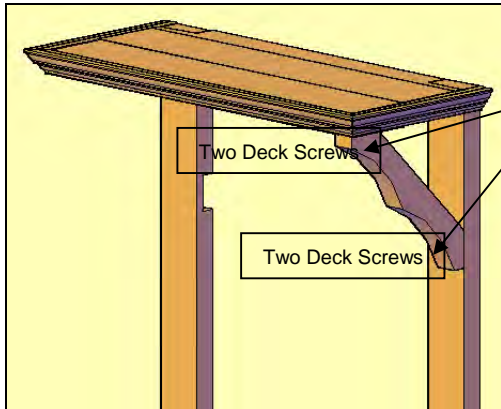
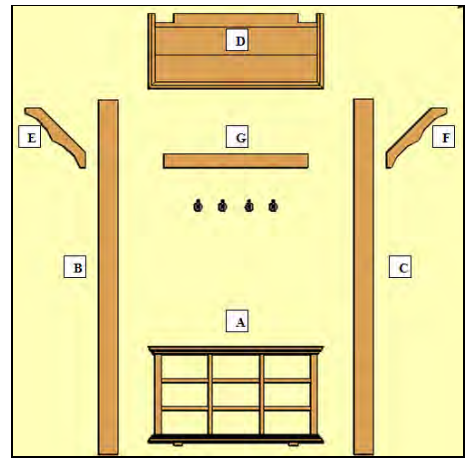
Attach part D (Top Shelf) to part C (leg assembly right), with two Deck Screws (8"x 3"), (into two holes marked "1").



STEP 2:

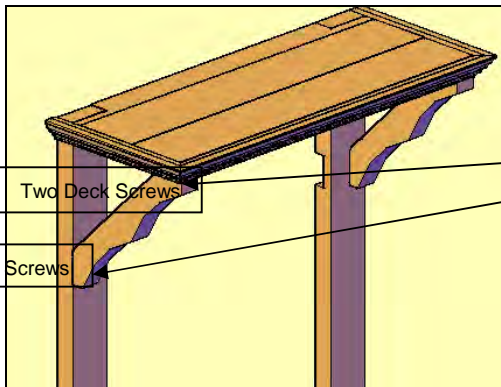
Attach part D (Top Shelf) to part B (leg assembly left), with two Deck Screws (8"x 3"), (into two holes marked "2").





STEP 3:

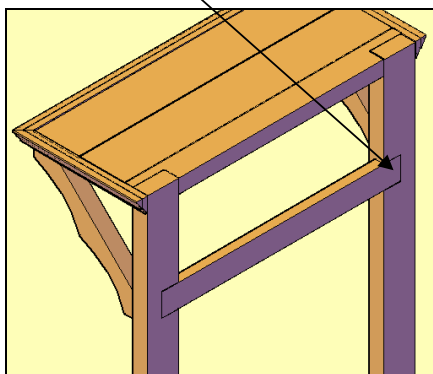
Attach part F (Cantilever Support) to part C (leg assembly right), with four Deck Screws (8"x 3"), (into four holes marked "3" and "X").



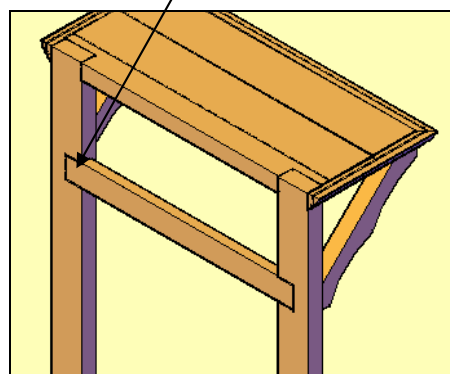
STEP 4:

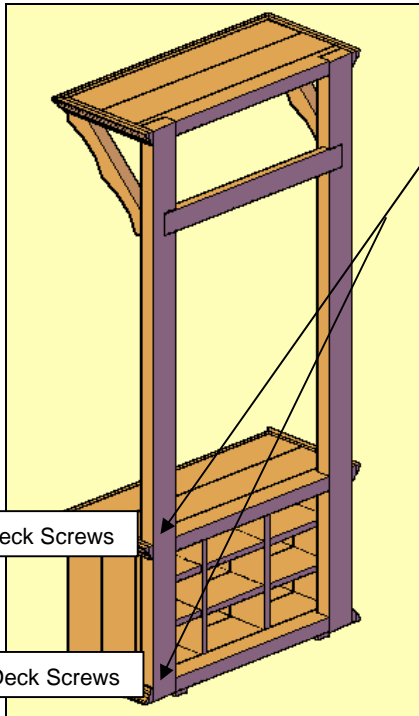
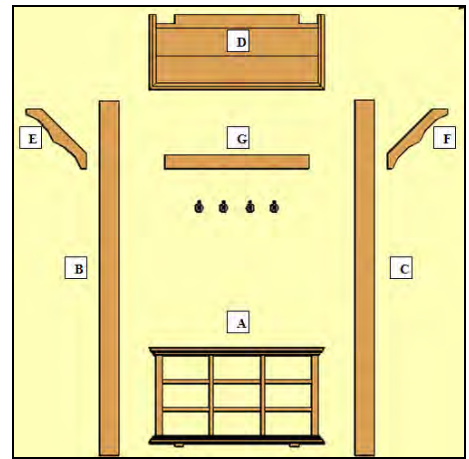
Attach part E (Cantilever Support) to part B (leg assembly left), with four Deck Screws (8"x 3"), (into four holes marked "4" and "X").

STEP 5:
Attach part G (Hanger Board) to part B (leg assembly left), with two Deck Screws (6"x 1 5/8") (into two holes marked "5").

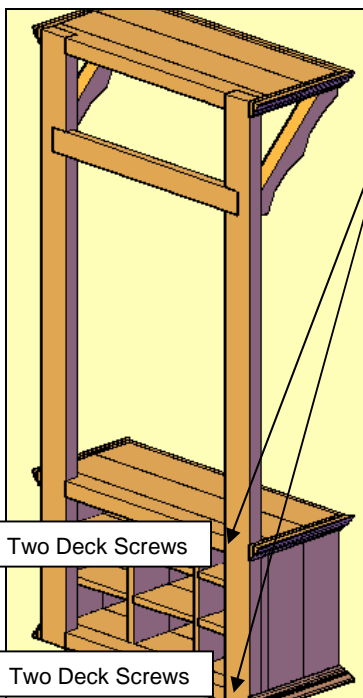


STEP 6:
Attach part G (Hanger Board) to part C (leg assembly right), with two Deck Screws (6"x 1 5/8") (into two holes marked "6").





STEP 7:
 Attach part C (leg assembly right) to part A (Bench Seat and shoe storage cubby), with four Deck Screws (8"x 3") (into four holes marked "7" and "X").



STEP 8:
 Attach part B (leg assembly left) to part A (Bench Seat and shoe storage cubby), with four Deck Screws (8"x 3") (into four holes marked "8" and "X").

For the last step, you attach the hangers to Hanger Board, with two deck screws each one.