

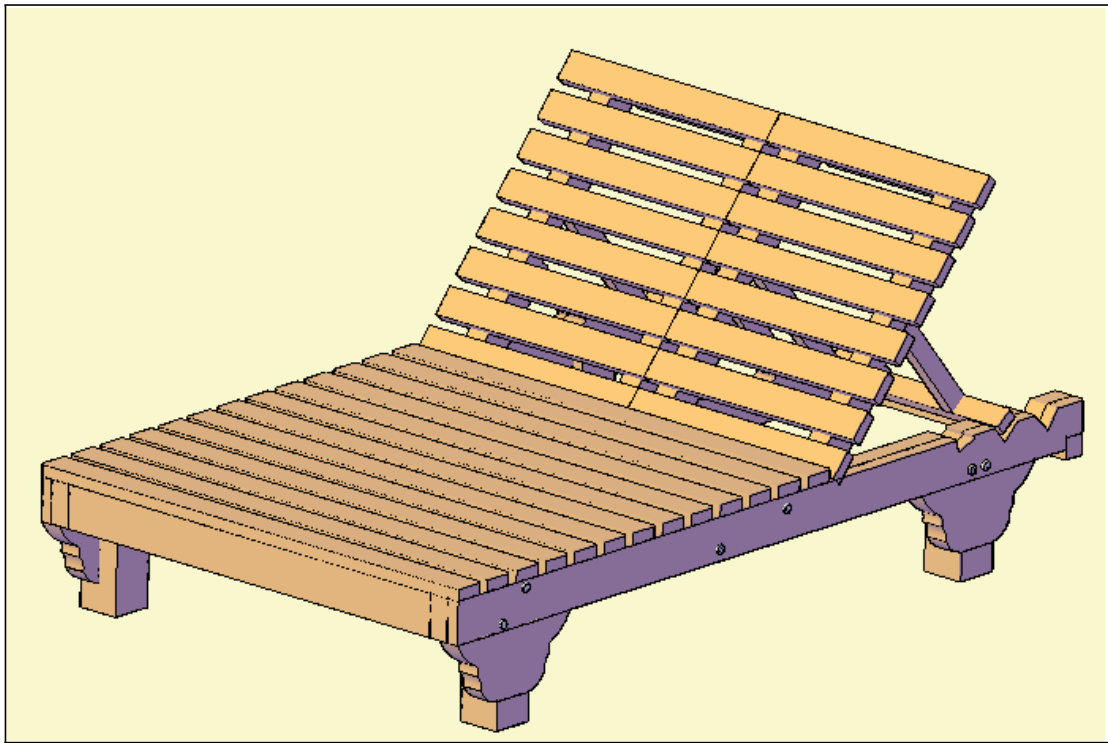


Old-Growth Again  
Restoring Logged Forests  
One Tree At A Time



## ASSEMBLY INSTRUCTIONS FOR:

## DOUBLE SOL LOUNGER



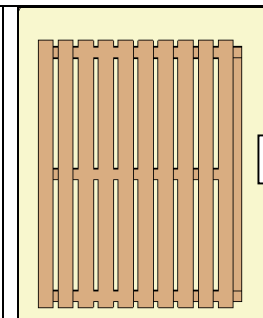
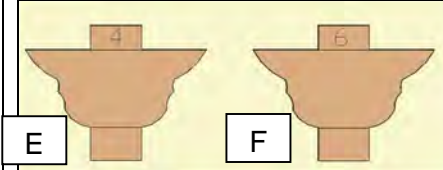
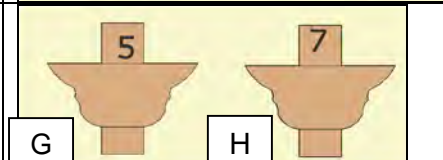
Old-Growth Again  
Restoring Logged Forests  
One Tree At A Time



# DOUBLE SOL LOUNGER

## Number of boxes: 3

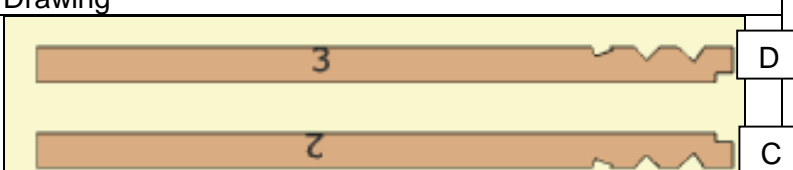
### Box 1 of 3

Quantity	Description	Drawing
8	Carriage Bolts 3 1/2 X 5/16", Washers and Nuts	
8	Carriage Bolts 4 1/2 X 5/16", Washers and Nuts	
1	Seat (A)	
2	Backrest legs (E, F) (shorter legs)	
2	Front legs (G, H)	

### Box 2 of 3

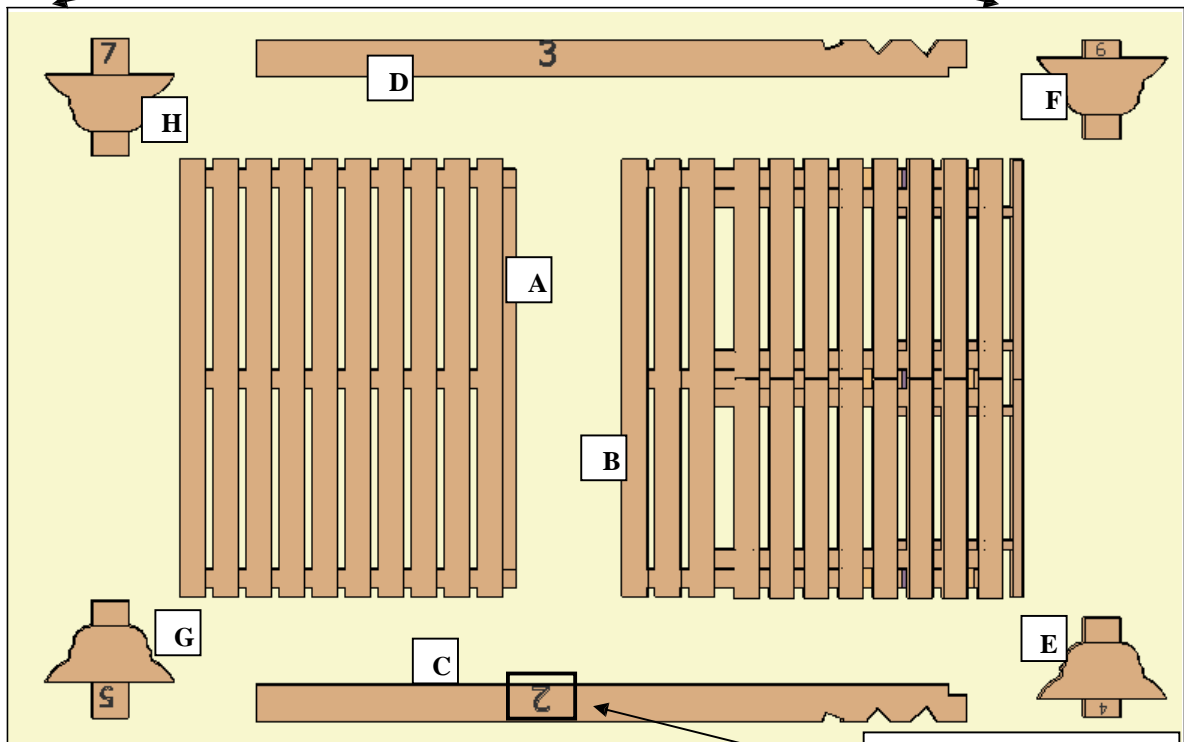
Quantity	Description	Drawing
1	Backrest (B)	

### Box 3 of 3

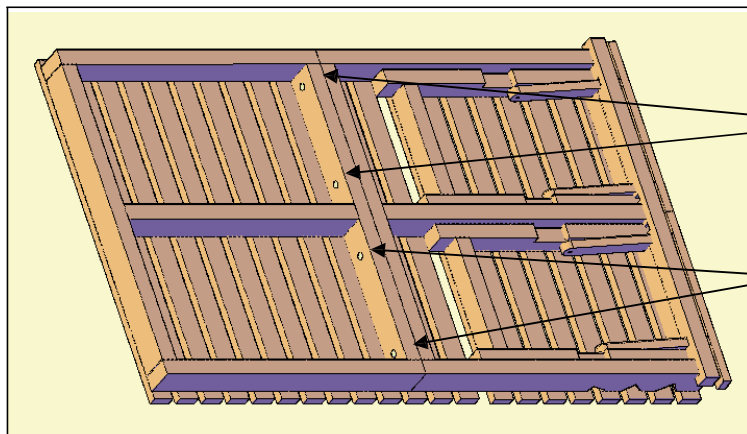
Quantity	Description	Drawing
2	Seat & backrest supports, left (D) & right (C)	

# ASSEMBLY INSTRUCTIONS

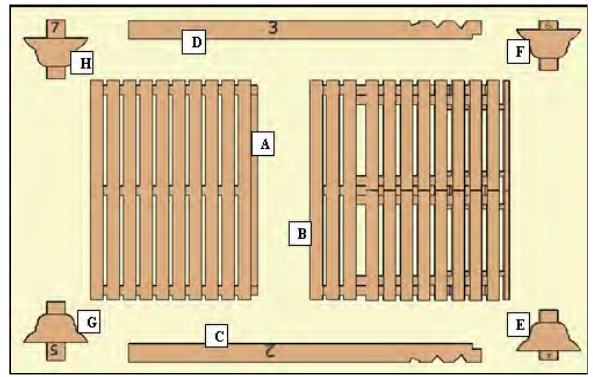
## CONTENT OF THE BOXES



The parts that go together have the same numbers written next to the predrilled holes they attach to. Align the parts with the numbers as shown for ease of reference.

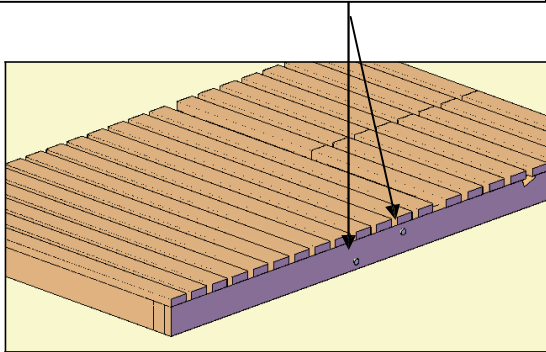


**STEP 1:**  
Attach part A (seat) to part B (Backrest), with four bolts (3 1/2" x 5/16"), washers & nuts. (Holes number one into holes number one). Tap the bolt all the way into the wood to set it. Then add a washer and nut and lightly tighten.



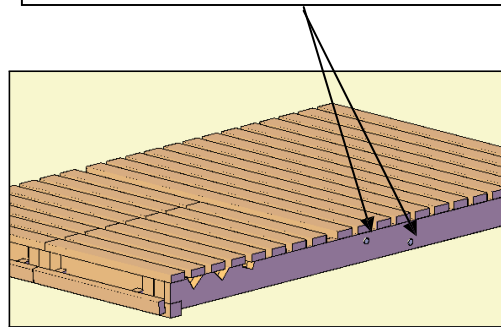
**STEP 2:**

Attach part C (seat & backrest support right) to part A & B (Seat and Backrest), with two bolts (3 1/2" x 5/16 washers & nuts. (Holes number two into holes number two). Tap the bolt all the way into the wood to set it. Then add a washer and nut and lightly tighten.



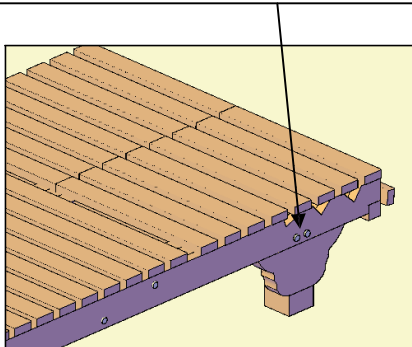
**STEP 3:**

Attach part D (seat & backrest support left) to part A & B (Seat and Backrest), with two bolts (3 1/2" x 5/16 washers & nuts. (Holes number three into holes number three). Tap the bolt all the way into the wood to set it. Then add a washer and nut and lightly tighten.



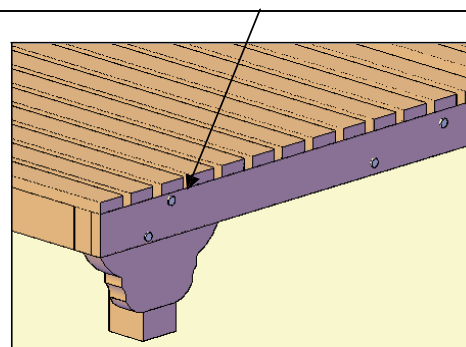
**STEP 4:**

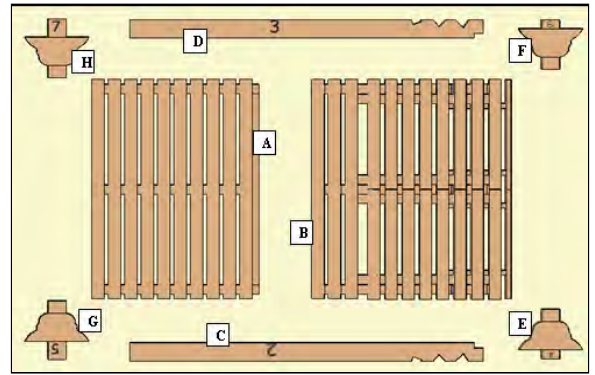
Attach part E (backrest leg) to part B (backrest), with two bolts (4 1/2" x 5/16"), washers & nuts. (Holes number four into holes number four). Tap the bolt all the way into the wood to set it. Then add a washer and nut and lightly tighten.



**STEP 5:**

Attach part G (Front leg) to part A (seat), with two bolts (4 1/2" x 5/16"), washers & nuts. (Holes number five into holes number five). Tap the bolt all the way into the wood to set it. Then add a washer and nut and lightly tighten.





**STEP 6:**

Attach part F (backrest leg) to part B (backrest), with two bolts (4 1/2" x 5/16"), washers & nuts. (Holes number six into holes number six). Tap the bolt all the way into the wood to set it. Then add a washer and nut and lightly tighten.

**STEP 7:**

Attach part H (Front leg) to part A (seat), with two bolts (4 1/2" x 5/16"), washers & nuts. (Holes number seven into holes number seven). Tap the bolt all the way into the wood to set it. Then add a washer and nut and lightly tighten.

