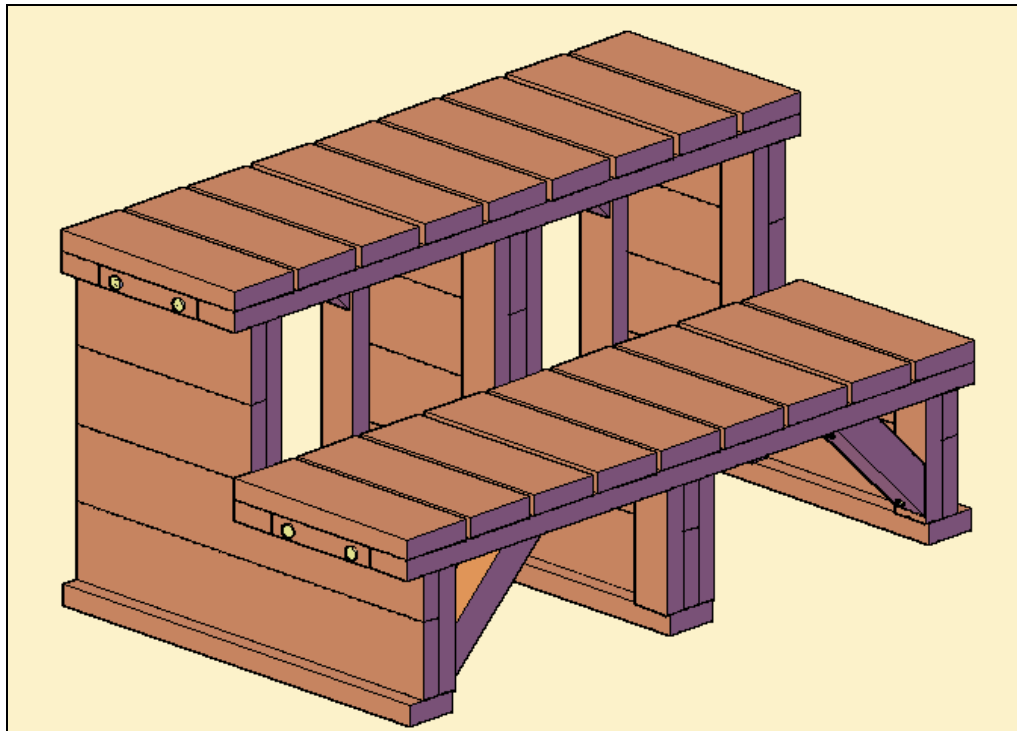




Old-Growth Again
Restoring Logged Forests
One Tree At A Time



ASSEMBLY INSTRUCTIONS FOR SPA STEP 36", 42", 48" AND 54"L (22W X 18H)



Old-Growth Again
Restoring Logged Forests
One Tree At A Time



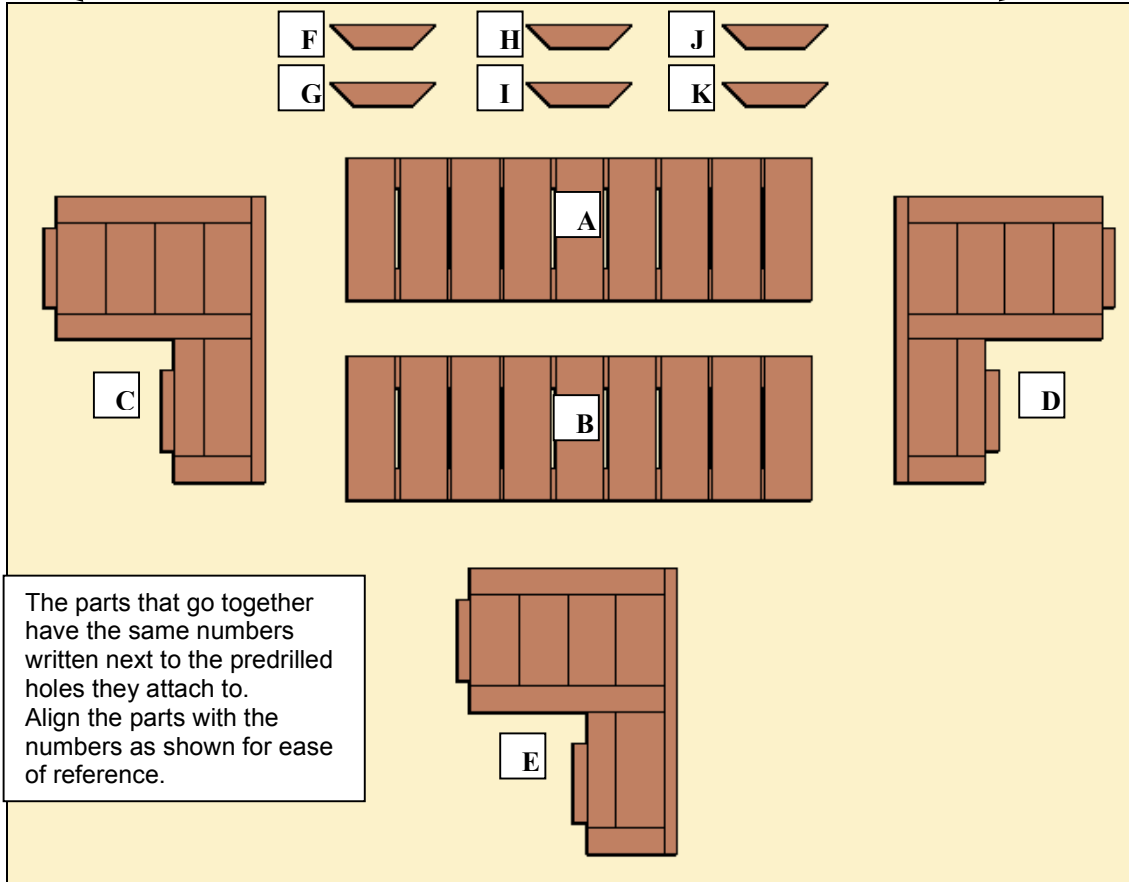
**SPA STEP 36", 42", 48" AND
54"L (22W x 18H)**

Box contents:

Quantity	Description	Drawing
12	Carriage bolts 2 1/2" x 5/16", Washers and Nuts	
12	8"x 2 1/2" Deck Screws	
2	Steps (A, B)	
3	Assembly left Leg (C) assembly right leg (D) and assembly center leg (E)	
6	Supports (F, G, H, I, J & K))	

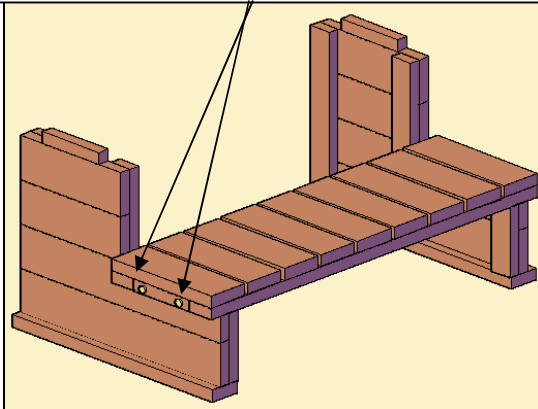
ASSEMBLY INSTRUCTIONS

CONTENT OF THE BOXES



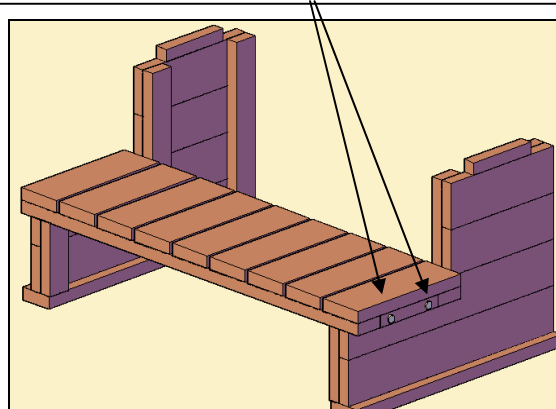
STEP 1:

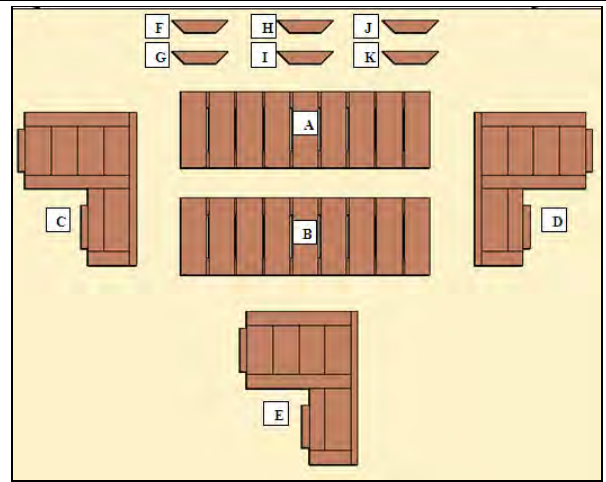
Attach part C (assembly left leg) to part B (step), with two bolts ($2\frac{1}{2}$ " x $5/16$ "), washers & nuts (into two holes marked "1"). Tap the bolt all the way into the wood to set it. Then add a washer and nut and lightly tighten.



STEP 2:

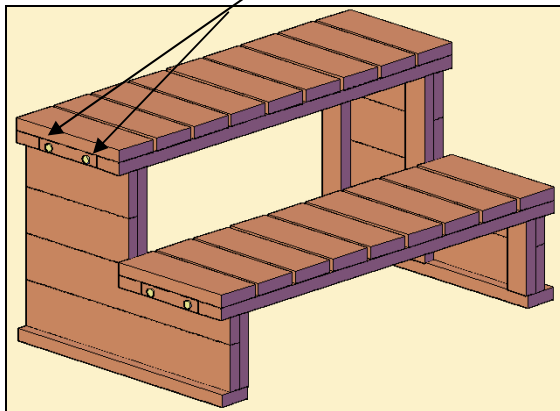
Attach part D (assembly right leg) to part B (step), with two bolts ($2\frac{1}{2}$ " x $5/16$ "), washers & nuts (into two holes marked "2"). Tap the bolt all the way into the wood to set it. Then add a washer and nut and lightly tighten.





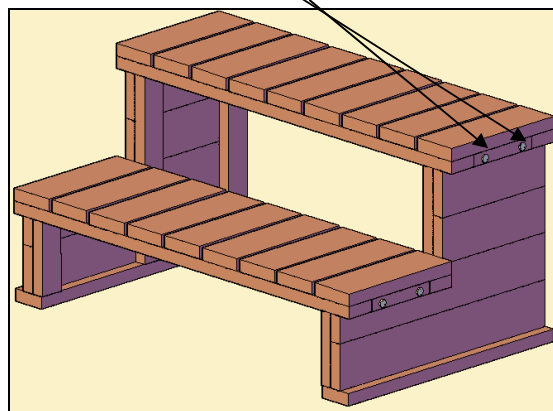
STEP 3:

Attach part C (assembly left leg) to part A (step), with two bolts (2 1/2" x 5/16"), washers & nuts (into two holes marked "3"). Tap the bolt all the way into the wood to set it. Then add a washer and nut and lightly tighten.



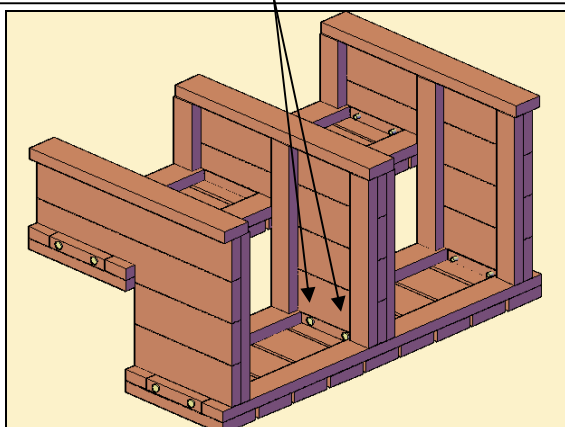
STEP 4:

Attach part D (assembly right leg) to part A (step), with two bolts (2 1/2" x 5/16"), washers & nuts (into two holes marked "4"). Tap the bolt all the way into the wood to set it. Then add a washer and nut and lightly tighten.



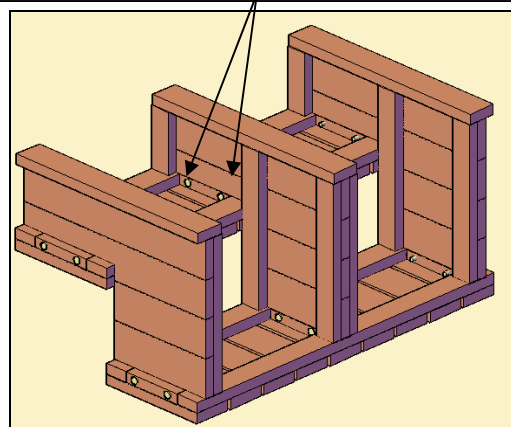
STEP 5:

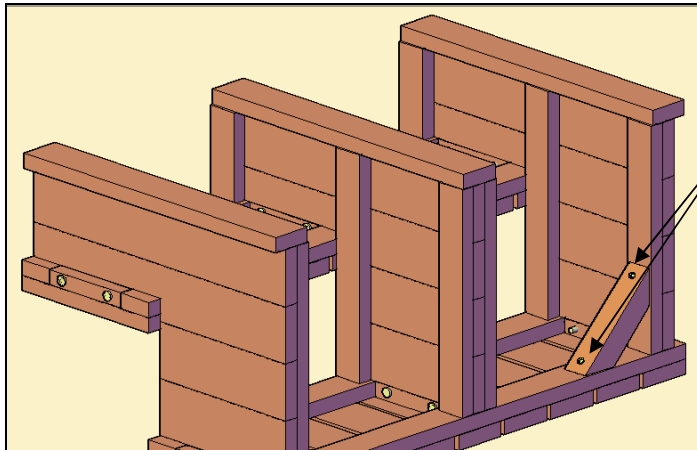
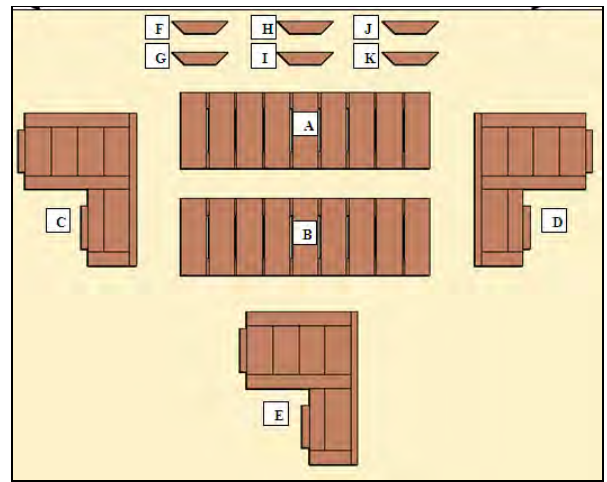
Attach part E (assembly center leg) to part A (step), with two bolts (2 1/2" x 5/16"), washers & nuts (into two holes marked "5"). Tap the bolt all the way into the wood to set it. Then add a washer and nut and lightly tighten.



STEP 6:

Attach part E (assembly half leg) to part B (step), with two bolts (2 1/2" x 5/16"), washers & nuts (into two holes marked "6"). Tap the bolt all the way into the wood to set it. Then add a washer and nut and lightly tighten.





STEP 7:
 Attach part F (support) to part A & D (step & assembly right), with two deck screws (8" x 2 1/2"),

Repeat this step with all supports.

When you finish with the supports your Spa Step should be as shown

