



Old-Growth Again
Restoring Logged Forests
One Tree At A Time



Young Growth – Mature Growth – Old Growth

ASSEMBLY INSTRUCTIONS FOR RORY'S BIG PLAYGROUND SWING



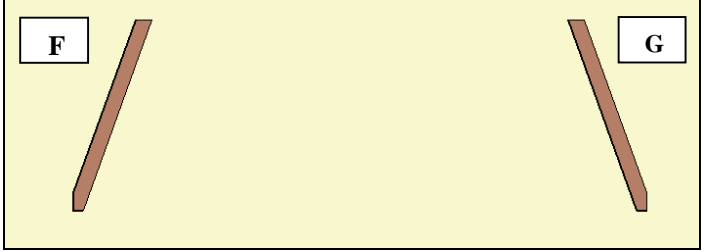
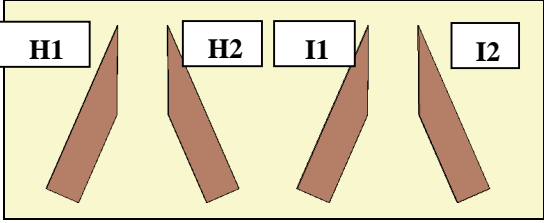
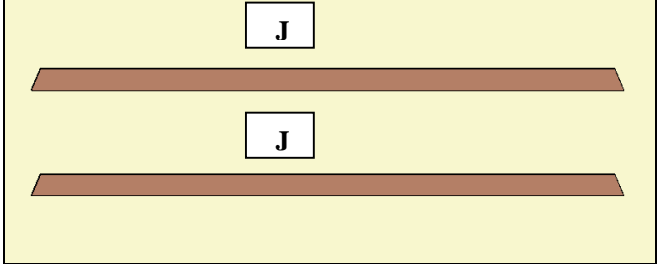
33800 Annapolis Road, Annapolis, CA 95412
(866) 332-2403
www.foreverredwood.com

Old-Growth Again
 Restoring Logged Forests
 One Tree At A Time



RORY'S BIG PLAYGROUND SWING

Quantity	Description	Drawing
2	Left side A-frame leg "A" & Right side A- frame leg "B" MAIN FRAME TIMBERS ARE 3" X 3".	
1	Main structural timber (2 3/4" x 5 3/4" x 132")	
2	Wooden Seats (26" L X 5 3/4" W X 2 3/4" THICK)	

2	Top A-frame cross support braces (2 3/4" x 3 3/4" x 37 1/2")	
4	Connector timbers (2 3/4" x 2 3/4" x 14")	
2	Main A-frame cross support braces (2 3/4" x 2 3/4" x 75 5/16")	

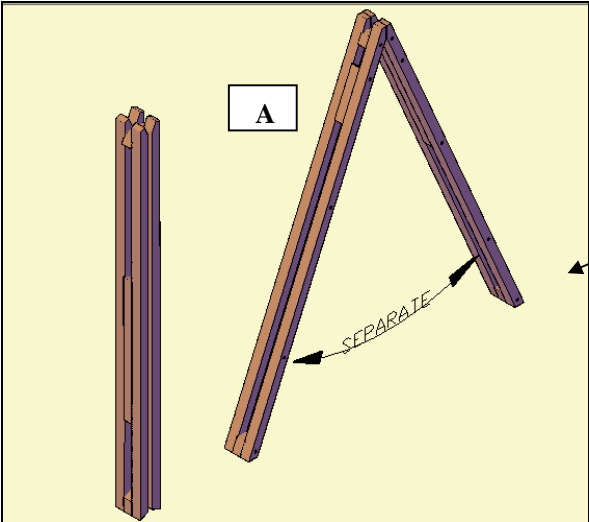
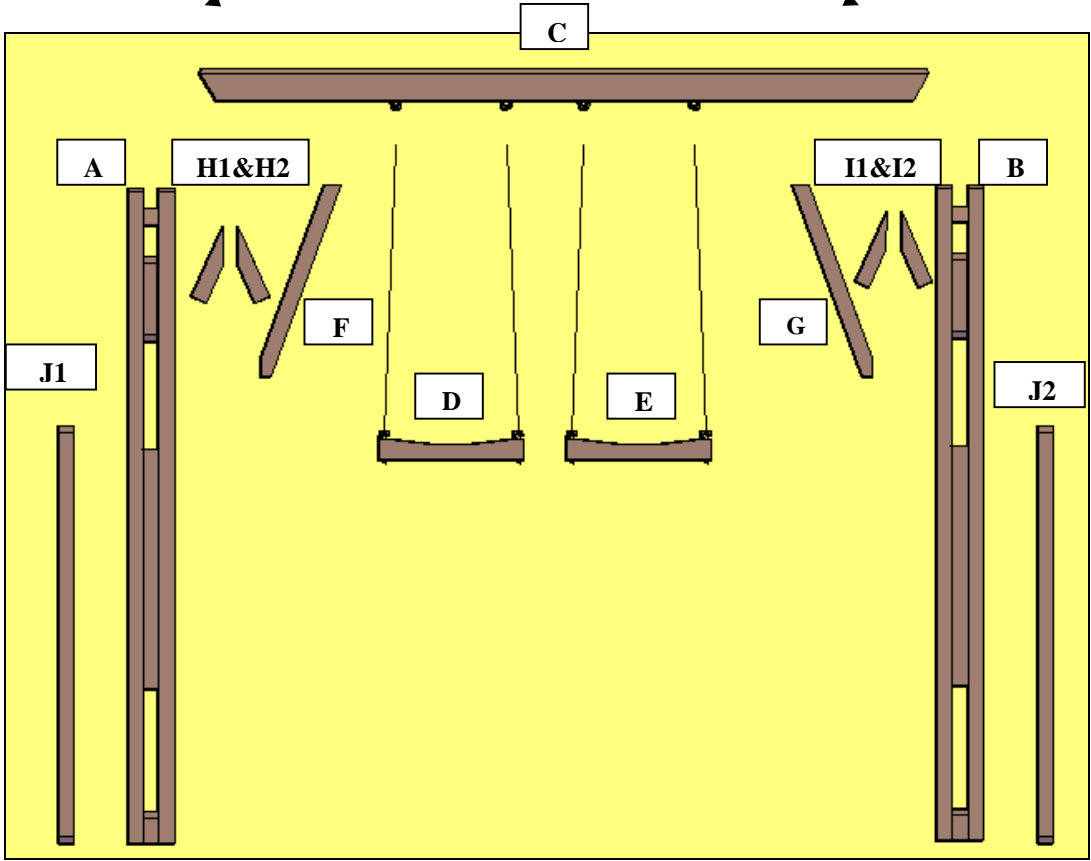
HARDWARE

Quantity	Description
4	Chains (80")
4	Springs
12	Quick links
2	12" x 3/8" bolts, washers, and nuts.
2	10" x 3/8" bolts, washers, and nuts.
8	8" x 3/8" bolts, washers, and nuts.
6	5" x 5/16" bolts, washers, and nuts.
8	5 1/2" x 5/16" bolts, washers, and nuts.

ASSEMBLY INSTRUCTIONS

The parts that go together have the same numbers written next to the predrilled holes they attach to. Align the parts with the numbers as shown for ease of reference.

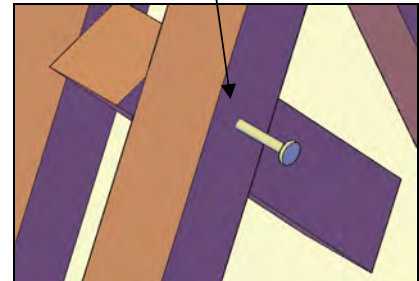
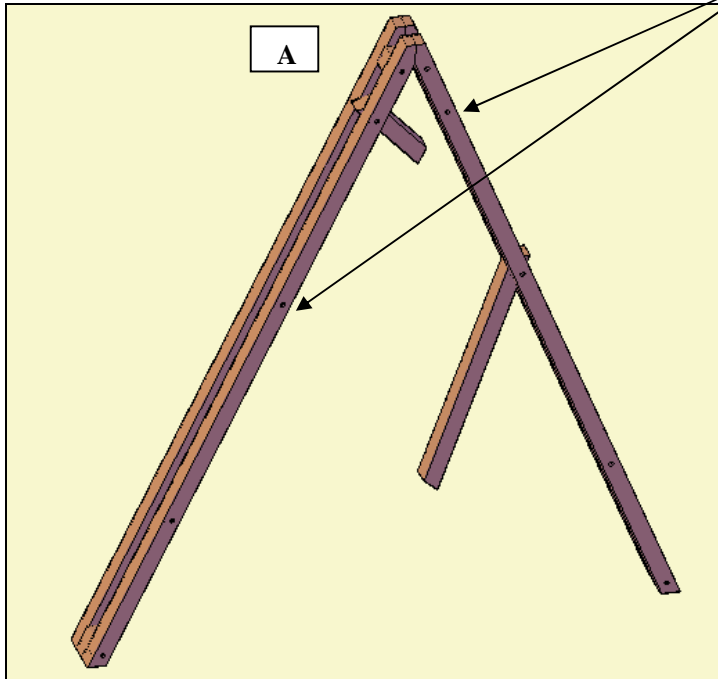
CONTENT OF THE BOXES



Step 1:
Parts A & B ship mostly assembled, but closed as shown on left. To finish assembly, first open the A-frame legs as shown.

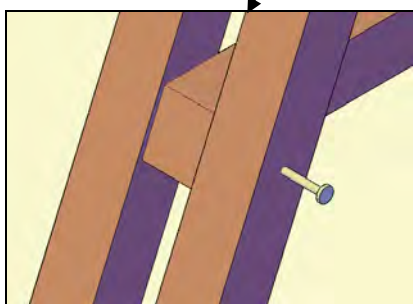
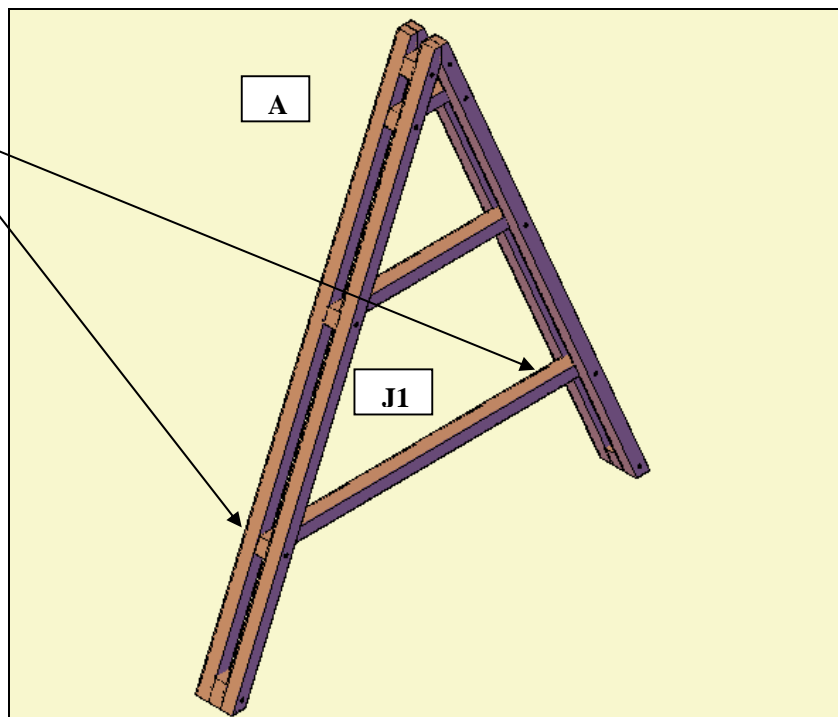
Step 2:

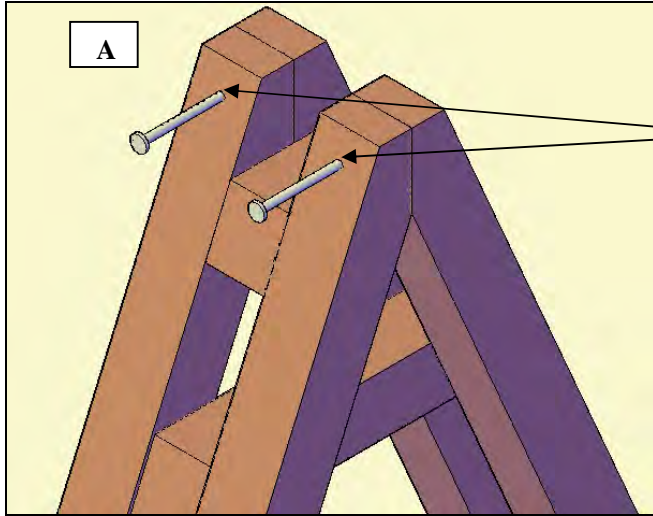
Pull out the cross supports and line up to match with the predrilled holes as shown. Use 8" x $\frac{3}{8}$ " carriage bolts, add washer and nut and lightly tighten.



Step 3:

Attach the lower main support brace "J" with 8" x $\frac{3}{8}$ " carriage bolts washers & nuts. Lightly tighten. When complete, should look like picture on the right.





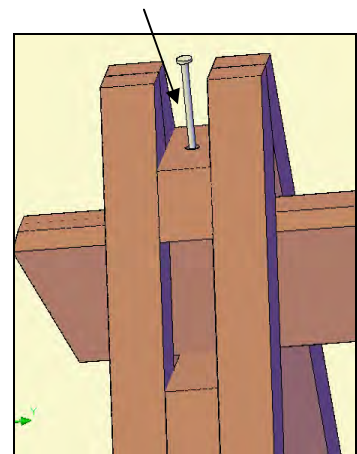
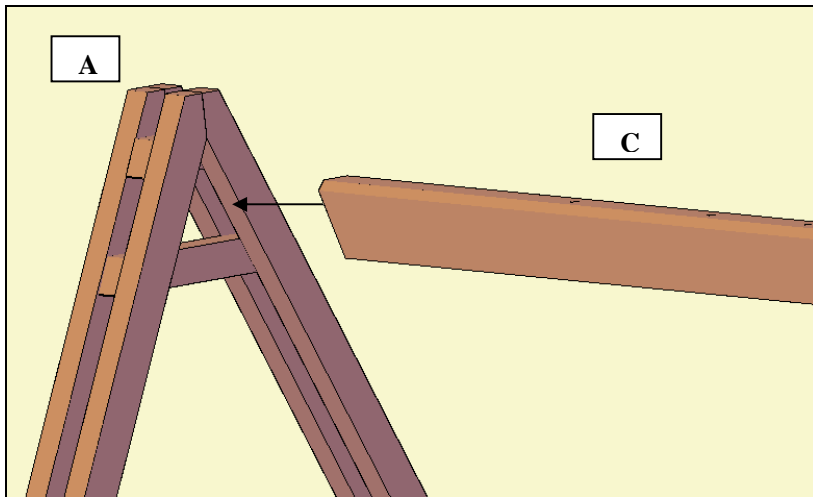
Step 4

To complete the A-frame assembly, add two 5" x 5/16" bolts, washers and nuts as shown. Lightly tighten.

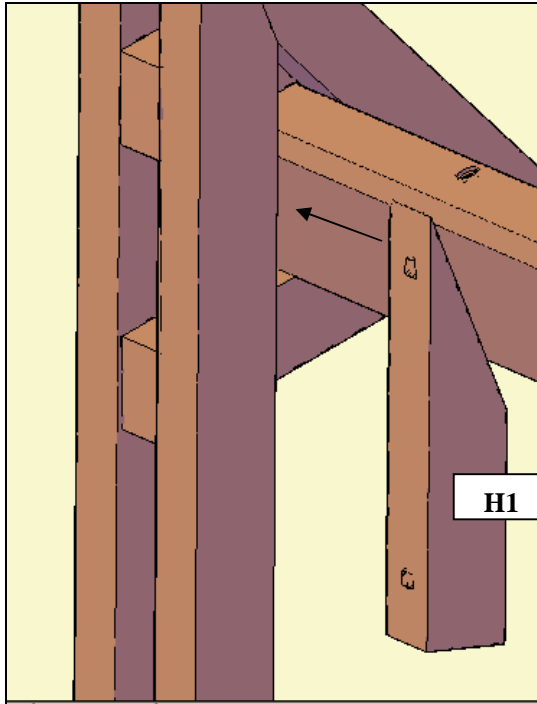
Repeat the process for A-frame part B.

Step 5

Once both A-frames are assembled, place them on their sides to attach the main structural timber. It's best to assemble the set on its side at this stage. The drawings show the swing right side up for ease of reference, but steps 5 to 7 should be done with the one of the A-frame timbers sitting on the ground. Attach main structural timber "part C" atop top support braces of each A-frame legs to tie the swing structure together. To attach, use a 12" x 3/8" carriage bolt from above. Add washer and nut and lightly

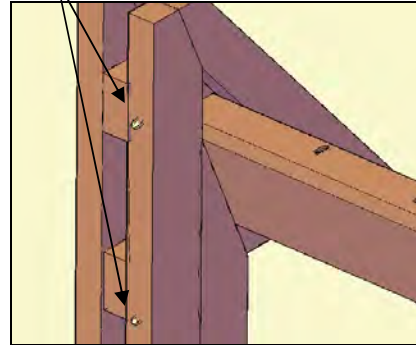


Repeat the process for Part B

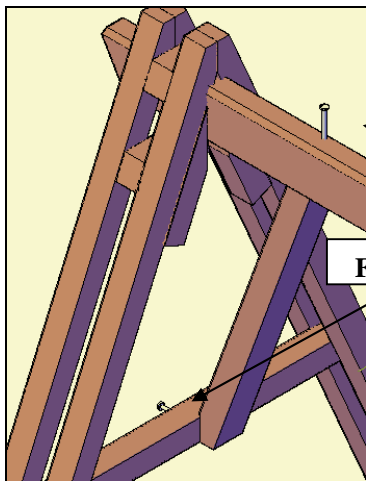


Step 6:

Attach the H1 support timber to reinforce the connection between the A-frame legs and part C. Use a 5 1/2" x 5/16" bolt, add a washer a nut and lightly tighten. Repeat for H2 n other side.



Repeat the process for Part J, then repeat for part B



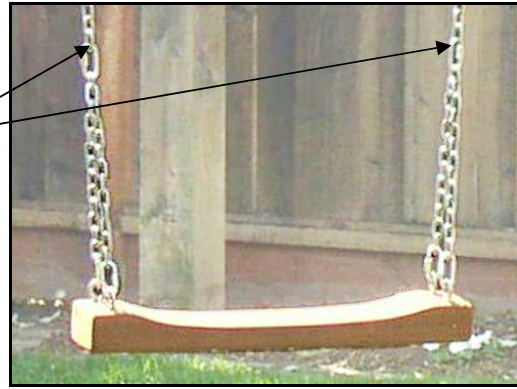
Step 7:

Now take the timber marked F and attach as shown on left. Attach with a 10" x 3/8" carriage bolt on top and a 5" x 5/16" on the bottom. Don't forget washers and nuts. Lightly tighten

Repeat the process for A-frame Part B on opposite side.

Step 8:

Add the swing seats to the chain with the quick links. Take a few minutes to adjust the chain height to your preference. We recommend you do not cut off the excess chain because you may want to readjust the heights later.



Step 9:

Once the basic structure is assembled on its side, with a couple of people helping, turn the swing right side up. If it's being placed on a lawn or undeveloped surface it's a good idea to add a few inch deep layer of drainage rock under each post. This will keep the swing from settling into the ground over the years. Lastly, with a ladder, attach the chains into the swing hanging assembly already attached to the main support timber (part C). The swings also come with optional set of springs. The springs attach from the swing hangers with the quick links tens the ride and is enjoyed by parents and adults. If the swing is mostly for kids & teens, skip the springs... Do one last round of light bolt tightening and enjoy!

