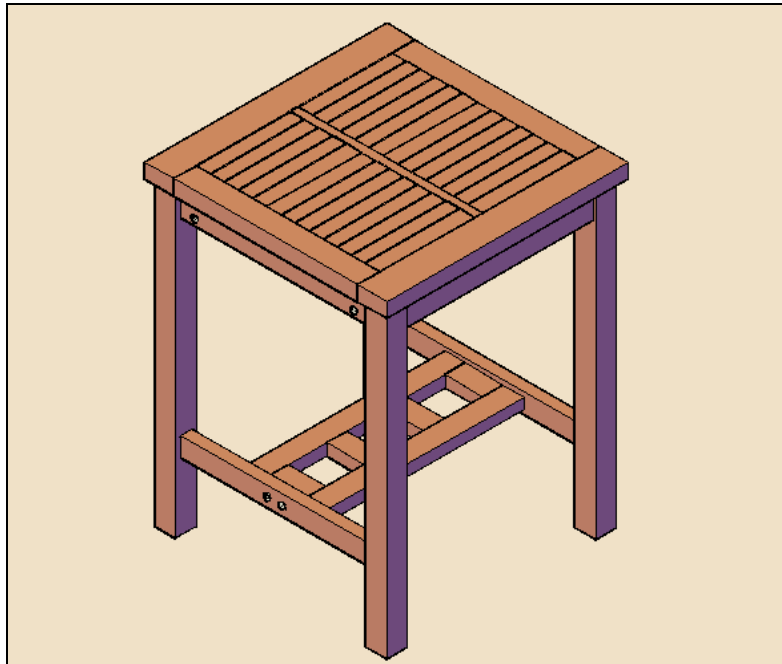




Old-Growth Again
Restoring Logged Forests
One Tree At A Time



ASSEMBLY INSTRUCTIONS FOR: SQUARE COCKTAIL TABLE

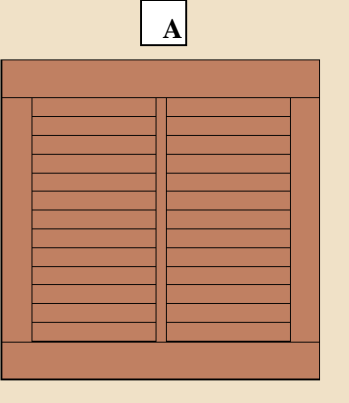
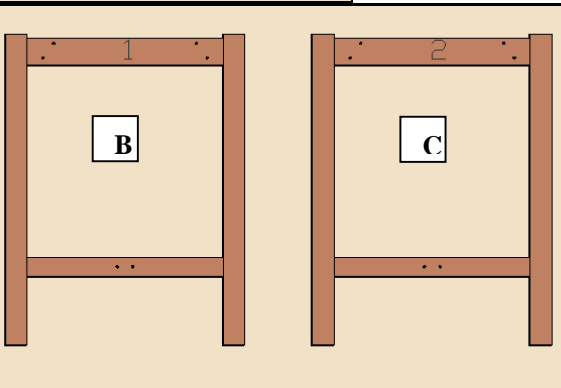
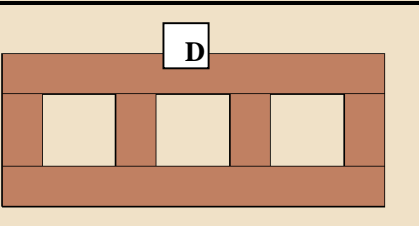


Old-Growth Again
 Restoring Logged Forests
 One Tree At A Time



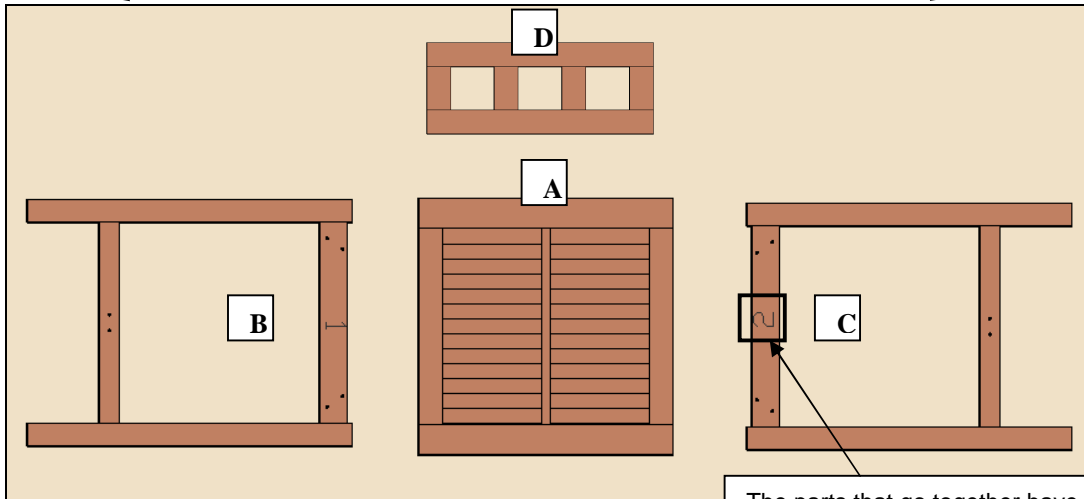
SQUARE COCKTAIL TABLE

Numer of boxes: 1

Quantity	Description	Drawing
12	Carriage Bolts 3 1/2" x 5/16", Washers and Nuts	
1	Tabletop (A)	
2	Leg assemblies left (B) & right (C)	
1	Leg support (D)	

ASSEMBLY INSTRUCTIONS

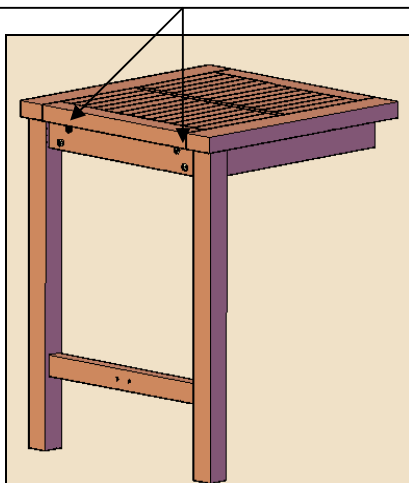
CONTENT OF THE BOXES



The parts that go together have the same numbers or letters written next to the predrilled holes they attach to. Align the parts with the numbers as shown for ease of reference.

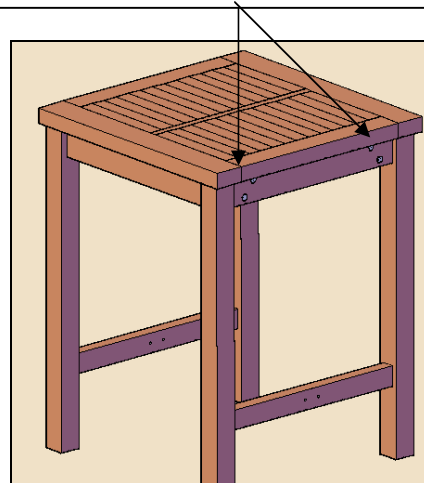
STEP 1:

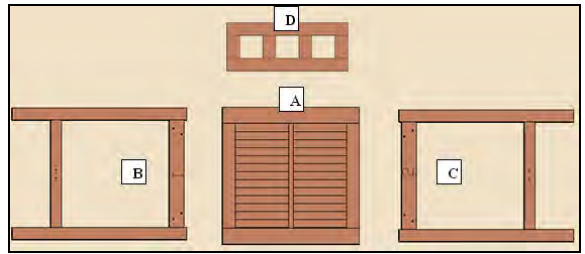
Attach part B (leg assembly left) to part A (tabletop) with four bolts (3 1/2" x 5/16"), washers & nuts (hole number one into hole number one). Tap the bolt all the way into the wood to set it. Then add a washer and nut and lightly tighten.



STEP 2:

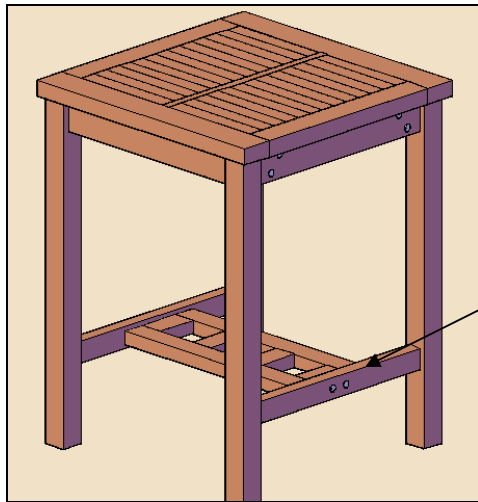
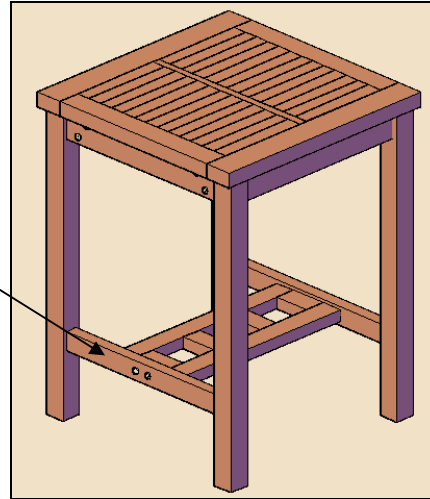
Attach part C (leg assembly right) to part A (tabletop) with four bolts (3 1/2" x 5/16"), washers & nuts (hole number two into hole number two). Tap the bolt all the way into the wood to set it. Then add a washer and nut and lightly tighten.





STEP 3:

Attach part D (leg support) to part B (leg assembly left) with two bolts (3 1/2"x 5/16"), washers & nuts (hole number three into hole number three). Tap the bolt all the way into the wood to set it. Then add a washer and nut and lightly tighten.



STEP 4:

Attach part D (leg support) to part C (leg assembly right) with two bolts (3 1/2"x 5/16"), washers & nuts (hole number four into hole number four). Tap the bolt all the way into the wood to set it. Then add a washer and nut and lightly tighten.