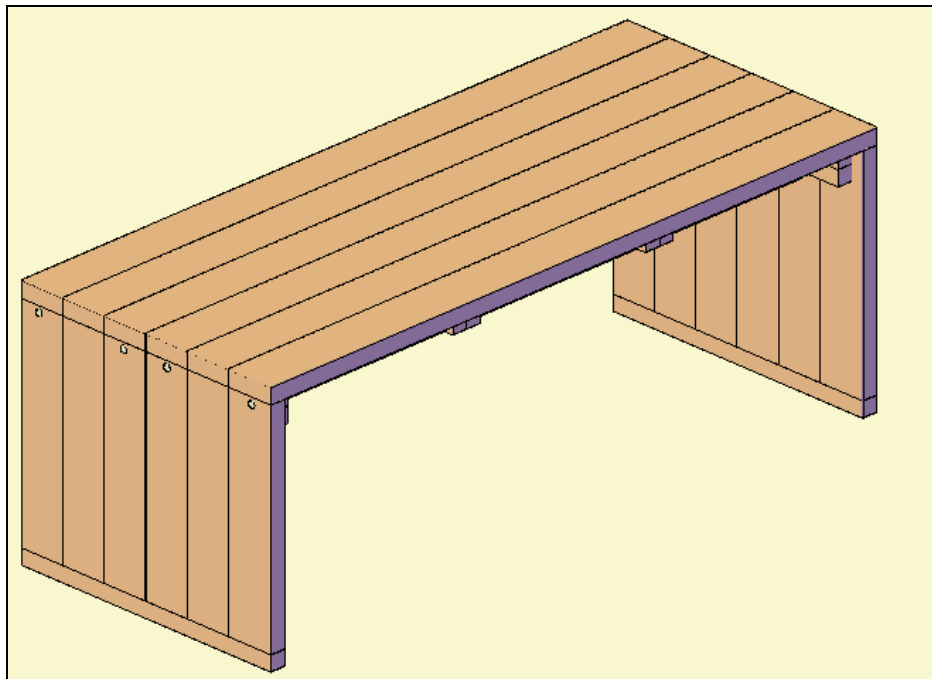




Old-Growth Again
Restoring Logged Forests
One Tree At A Time



ASSEMBLY INSTRUCTIONS FOR: MAYNARD TABLE (All Sizes)



Old-Growth Again
Restoring Logged Forests
One Tree At A Time



MAYNARD TABLE (All sizes)

Number of boxes: 2

Box 1 of 2:

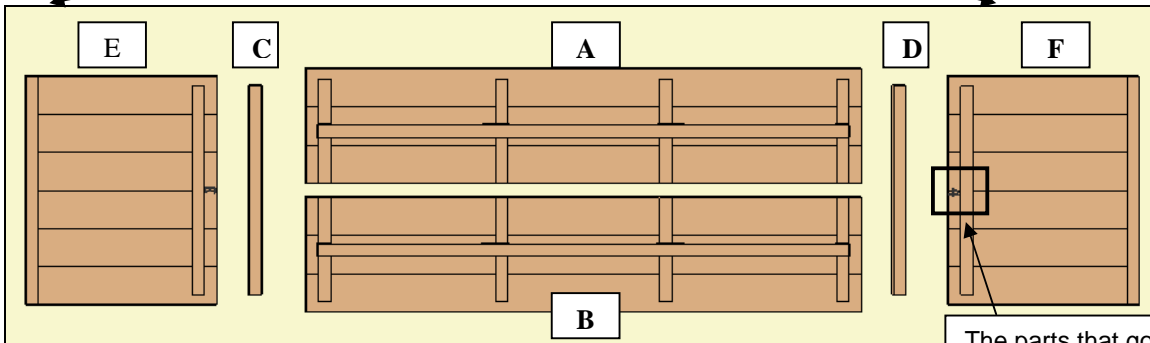
Quantity	Description	Drawing
16	Carriage bolts 3 1/2" x 5/16", Washers and Nuts	
8	Deck screws 8" X 3"	
2	Leg assemblies left (E) & right (F)	

Box 2 of 2:

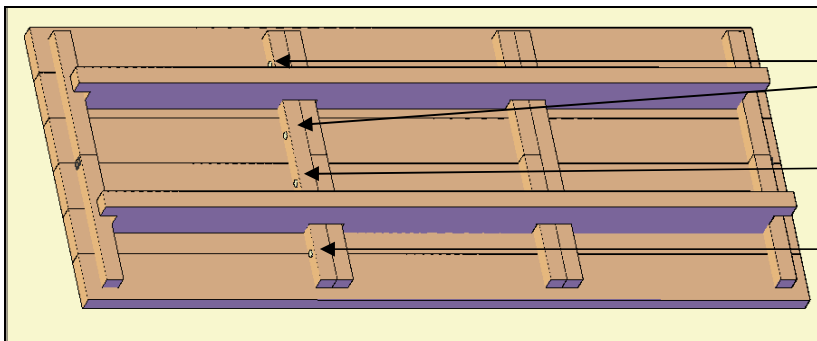
Quantity	Description	Drawing
2	Tabletop halves (A,B)	
2	Tabletop Supports (C,D)	

ASSEMBLY INSTRUCTIONS

CONTENT OF THE BOXES

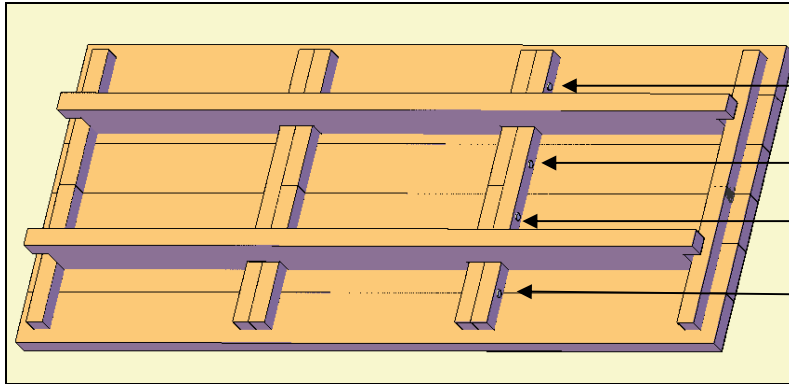
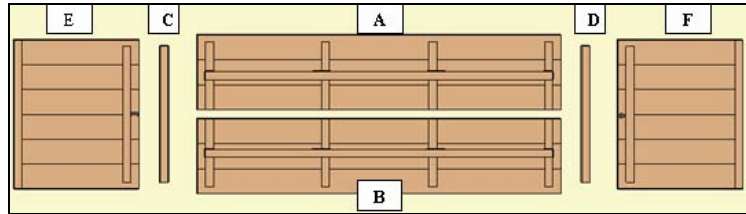


The parts that go together have the same numbers written next to the predrilled holes they attach to. Align the parts with the numbers as shown for ease of reference.



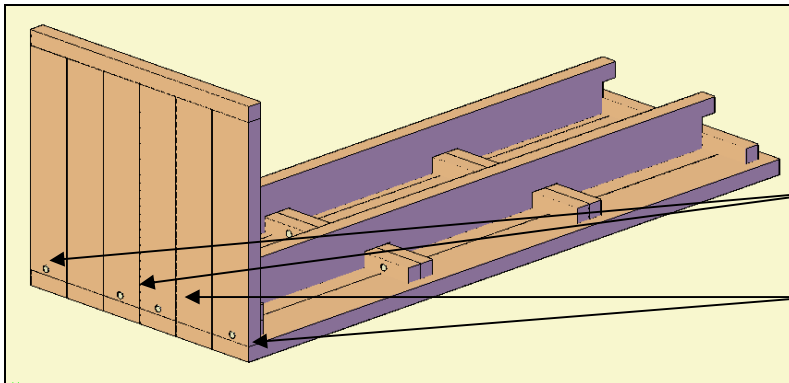
STEP 1:

Attach part C (tabletop support) to part A & B (to unite tabletop), with 4 bolts (3 1/2" x 5/16"), washers & nuts. (Holes number one into holes number one). Tap the bolt all the way into the wood to set it. Then add a washer and nut and lightly tighten.



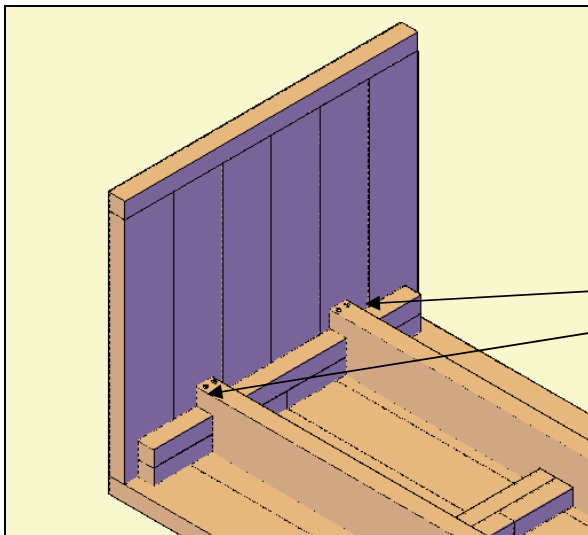
STEP 2:

Attach part D (tabletop support) to A & B (tabletop halves), with 4 bolts (3 1/2" x 5/16"), washers & nuts. (Holes number two into holes number two). Tap the bolt all the way into the wood to set it. Then add a washer and nut and

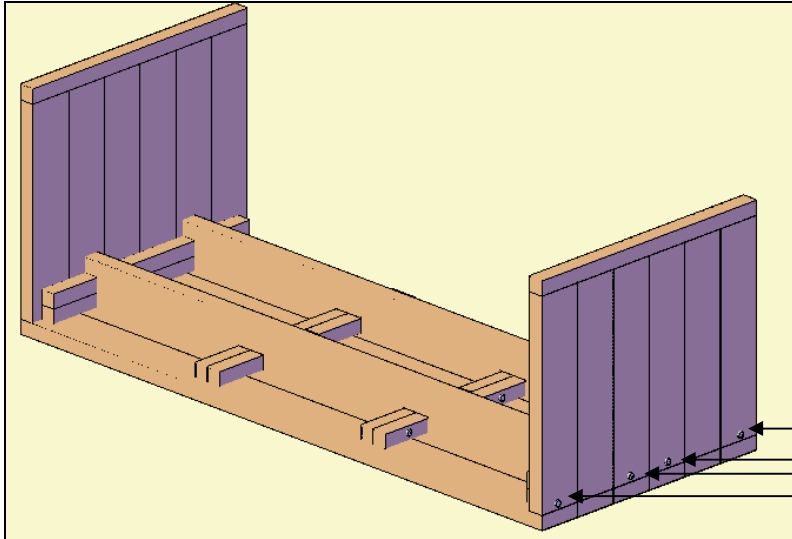
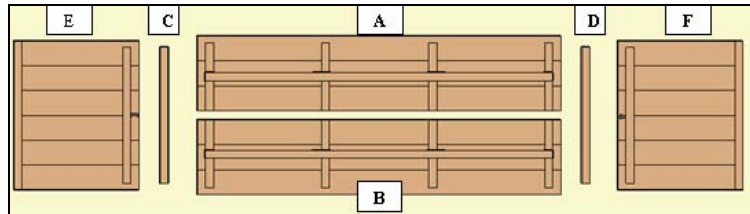


STEP 3:

Attach part E (leg assembly left) to A & B (Tabletop halves), with 4 bolts (3 1/2" x 5/16"), washers & nuts. (Holes number three into holes number three). Tap the bolt all the way into the wood to set it. Then add a washer and nut and

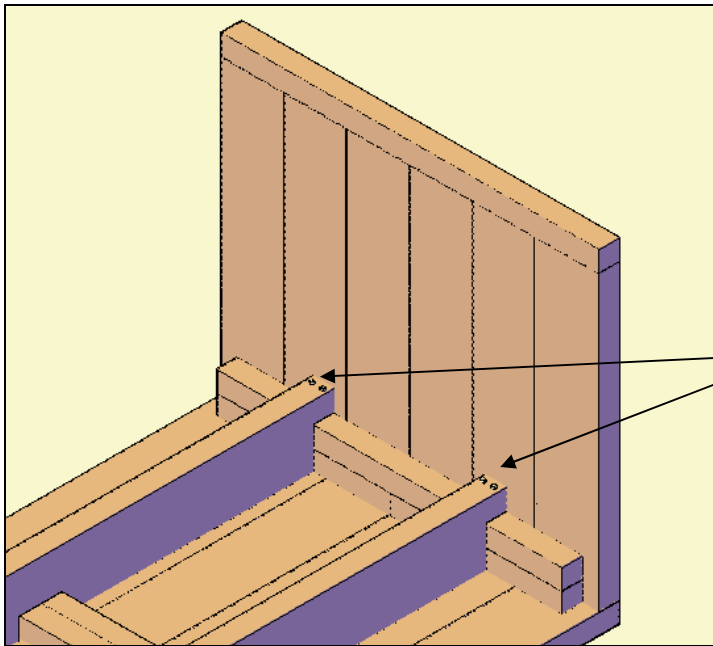


To reinforce left leg assembly part E to parts A & B (Tabletop halves). Add 4 deck screws (3 x 8"), at a 45 degree angle as shown.



STEP 4:

Attach part F (leg assembly right) to A & B (Tabletop halves), with 4 bolts (3 1/2" x 5/16"), washers & nuts. (Holes number four into holes number four). Tap the bolt all the way into the wood to set it. Then add a washer and nut and lightly tighten.



To reinforce right leg assembly part F to parts A & B (Tabletop halves). Add 4 deck screws (3 x 8"), at a 45 degree angle as shown.