
866.332.2403; Outside the US: 619.600.5630 7am-7pm Pacific Time, Monday-Saturday

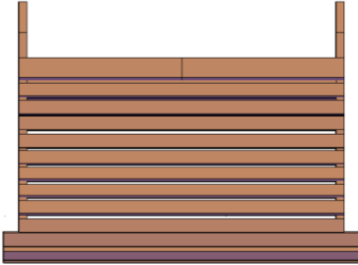
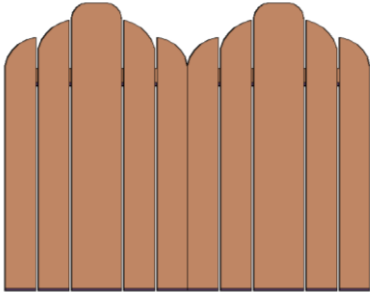
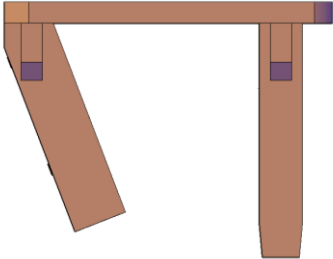
Assembly Instructions for: **ADIRONDACK LOVESEATS**



Thank you for purchasing Forever Redwood patio furniture. Forever Redwood is built by Old-Growth Again Restoration Forestry (OGA). OGA is dedicated to restoration forestry. Sales of patio furniture finance our restoration work in California redwood forestlands.

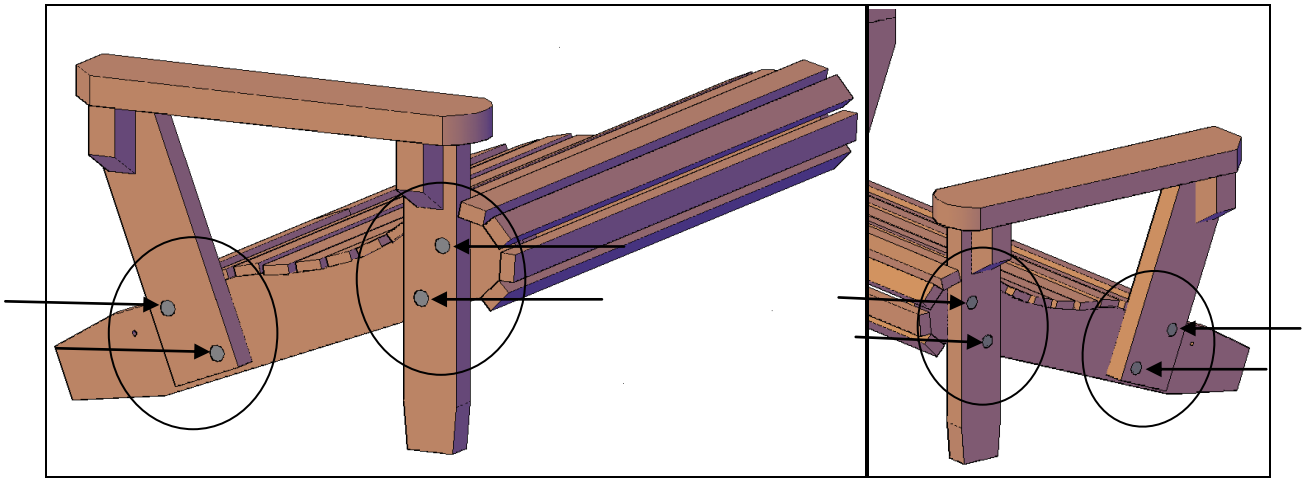
Tools required: ½-inch ratchet and a mallet or small hammer.

Content of boxes:

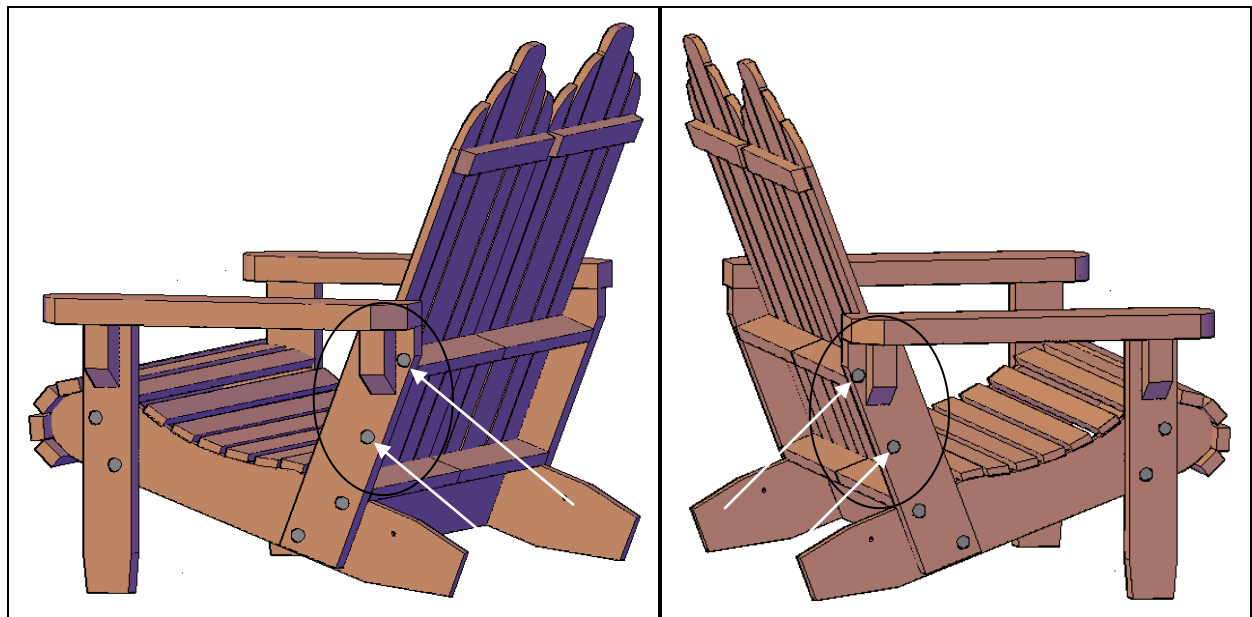
Quantity	Description	Drawing
1	Seat	
1	Backrest	
2	Armrests	
12	Carriage bolts 3 ½" x 5/16", Washers and Nuts	

Unpack your furniture and make sure you have all the parts. The parts that go together have the same numbers written next to the predrilled holes they attach to. Align the parts with the numbers as shown for ease of reference.

Step 1: Place the seat on the ground and notice that each side has a number that corresponds to each armrest. Match the armrest number to the seat side hole and attach with four carriage bolts as shown below. Align the predrilled holes; lightly tap the 4 bolts in. The bolts should tap into their holes. If you have to force a bolt, the leg is probably not oriented properly, is in the wrong hole or it is turned around. Make sure the bolts are tapped all the way into the wood, then add washers and nuts and tighten with a ½-inch ratchet. Do not over tighten or you'll crush the redwood and weaken the loveseat's structure. Repeat this step to attach the other armrest to seat.



Step 2: Attach backrest to armrests with 2 bolts washer and nuts per side. Match the numbers next to the predrilled holes on the backrest to the numbers on the loveseat side. Tap the carriage bolts all the way into the wood, then attach the washers, nuts and tighten with ½-inch ratchet. Do not over-tighten.



Thank you. If you have any questions, please call or email us.