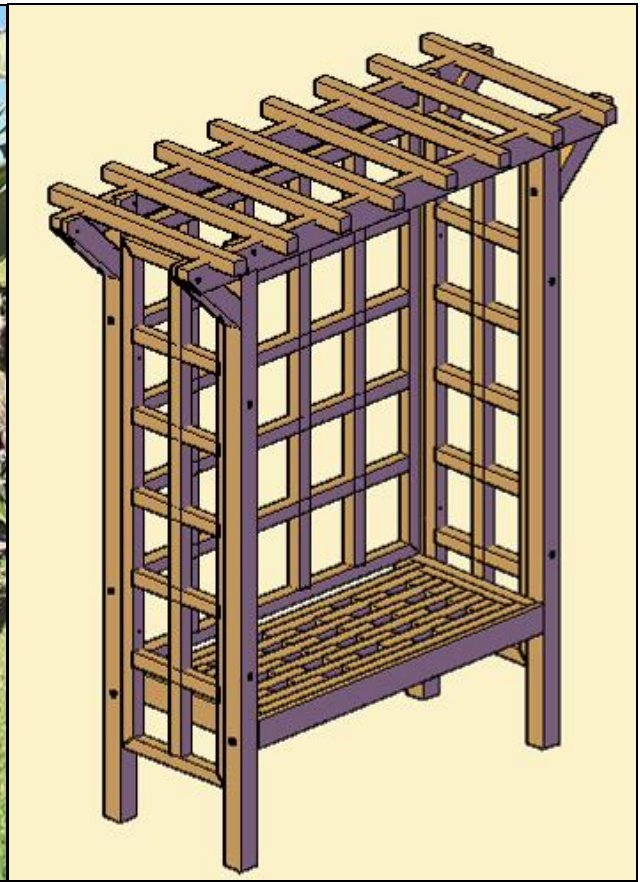


866.332.2403 (Toll Free); 7am-7pm Pacific Time, Monday-Saturday

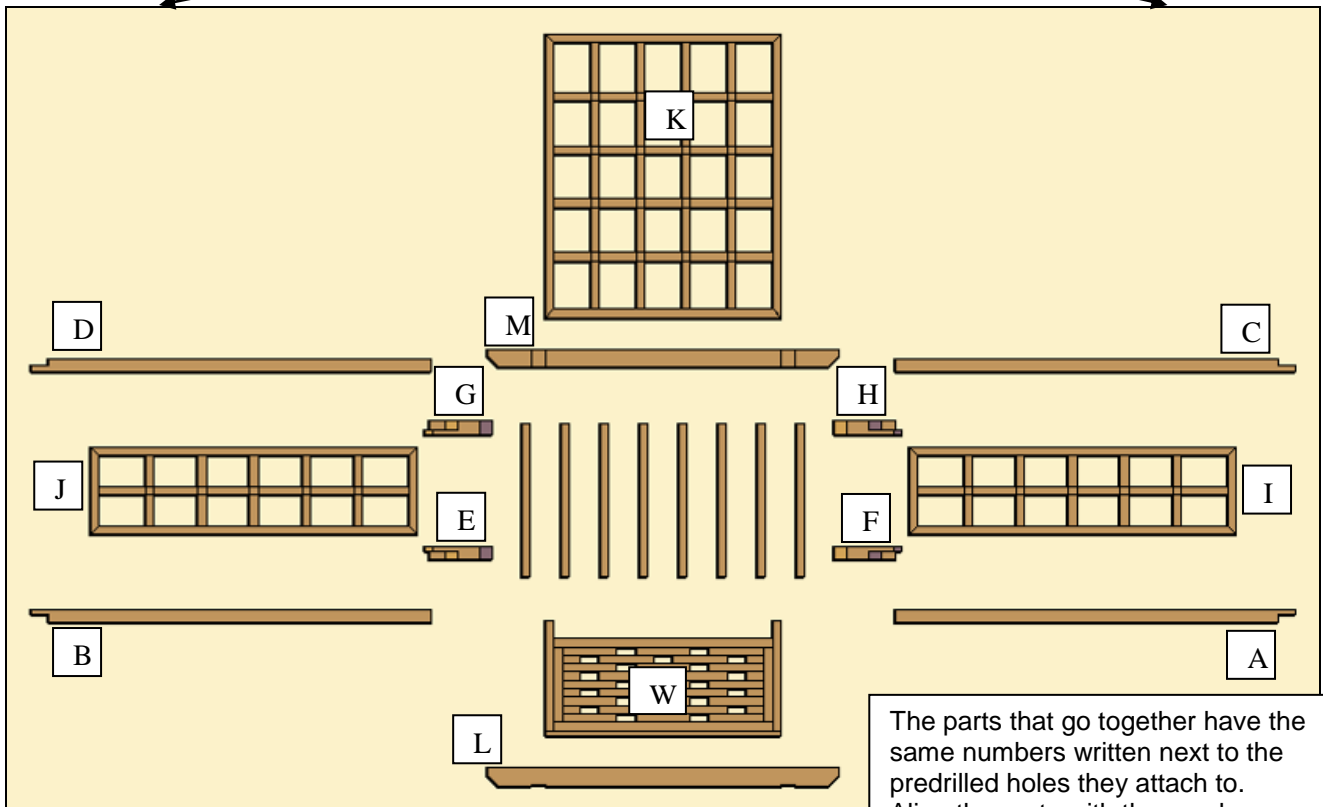
Assembly instructions for: **ANNAPOLIS GARDEN ARBORS**



Contents of boxes

Quantity	Description	Drawing
12	Carriage Bolts 5/16" x 3"	
4	Carriage Bolts 5/16" x 5"	
16	Carriage Bolts 5/16" x 4 1/2"	
16	Deck Screws 8" x 3"	
4	Posts (96") (A, B, C & D)	
4	Supports (E, F, G and H)	
3	Trellis Walls (I & J) Trellis wall rear (K)	
2	Arched Roof timbers (L & M)	
8	Slats (N, O, P, Q, R, S, T & U)	
1	Lighthouse Bench (W)	

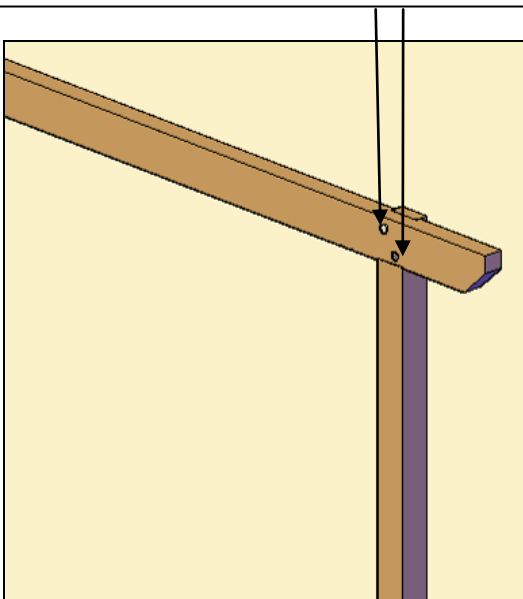
CONTENT OF THE BOXES



The parts that go together have the same numbers written next to the predrilled holes they attach to. Align the parts with the numbers as shown for ease of reference.

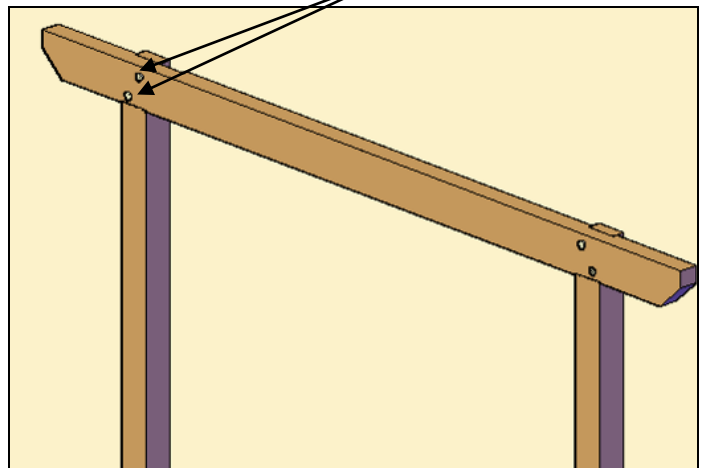
STEP 1:

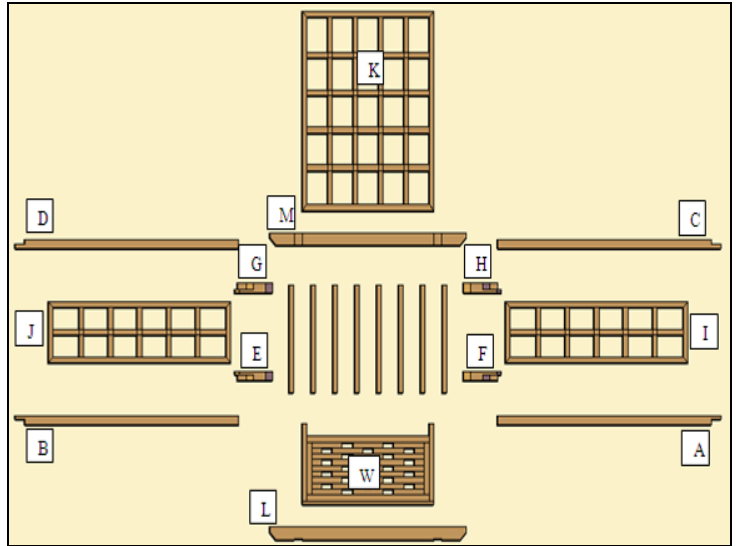
Attach part A (post) to part L (roof timber), with two bolts ($5/16"$ x $3"$) washers & nuts (into two holes marked "1"). Tap the bolt all the way into the wood to set it. Then add a washer and nut and lightly tighten.



STEP 2:

Attach part B (post) to part L (roof timber), with two bolts ($5/16"$ x $3"$) washers & nuts (into two holes marked "2"). Tap the bolt all the way into the wood to set it. Then add a washer and nut and lightly tighten.



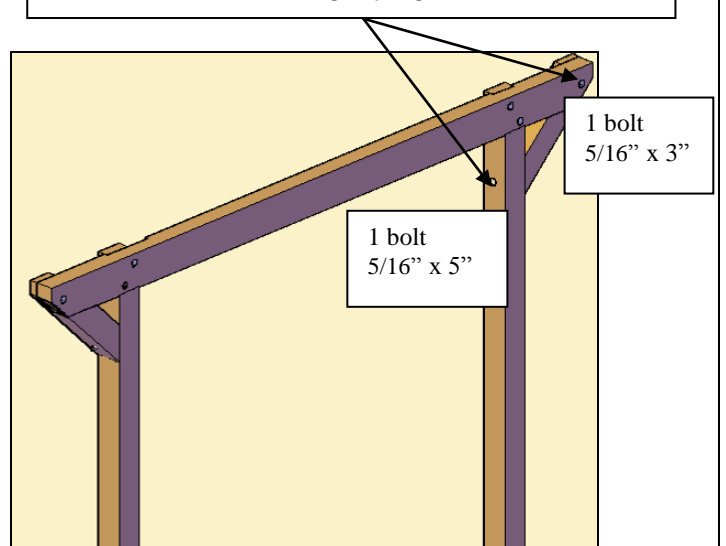
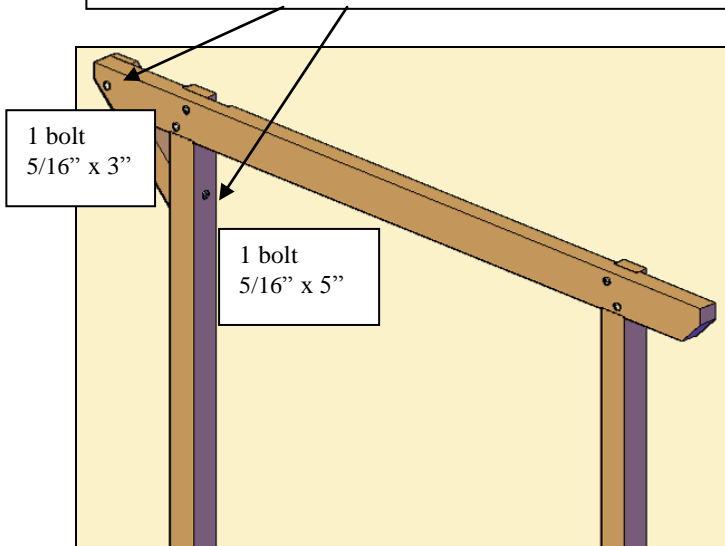


STEP 3:

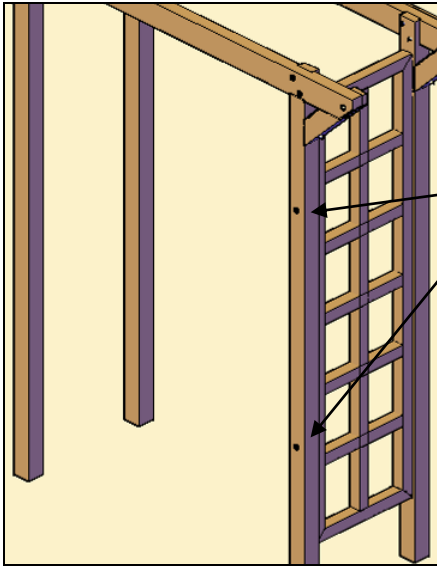
Attach part E (support) to part L (roof timber) and B (post), with two bolts, washers & nuts (into two holes marked "3" & X). Tap the bolt all the way into the wood to set it. Then add a washer and nut and lightly tighten.

STEP 4:

Attach part F (support) to part L (roof timber) and B (post), with two bolts, washers & nuts (into two holes marked "4" & X). Tap the bolt all the way into the wood to set it. Then add a washer and nut and lightly tighten.

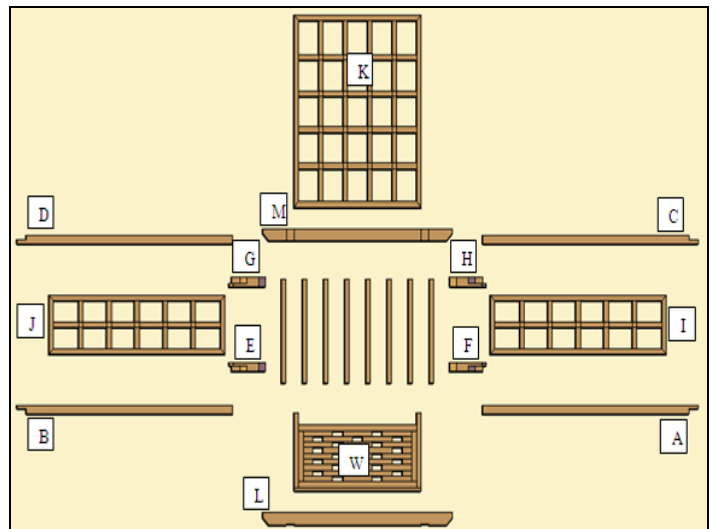


Repeat the same Steps, with the other posts, supports and roof timber. When you finish with these steps, you continue assembly the trellis walls.



STEP 5:

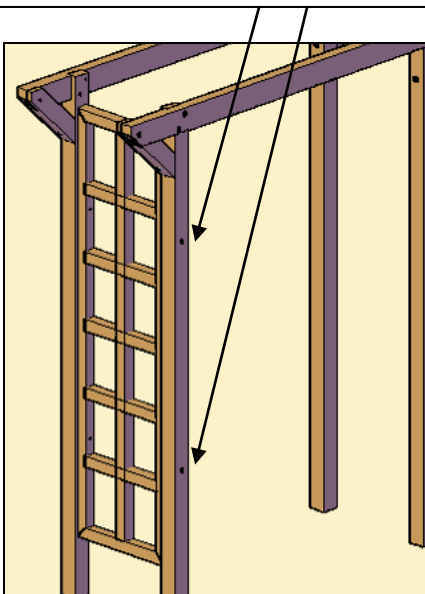
Attach part A (post) to part I (trellis wall), with two bolts (5/16" x 4 1/2") washers & nuts (into two holes marked "9"). Tap the bolt all the way into the wood to set it. Then add a washer and nut and lightly tighten.



STEP 6:

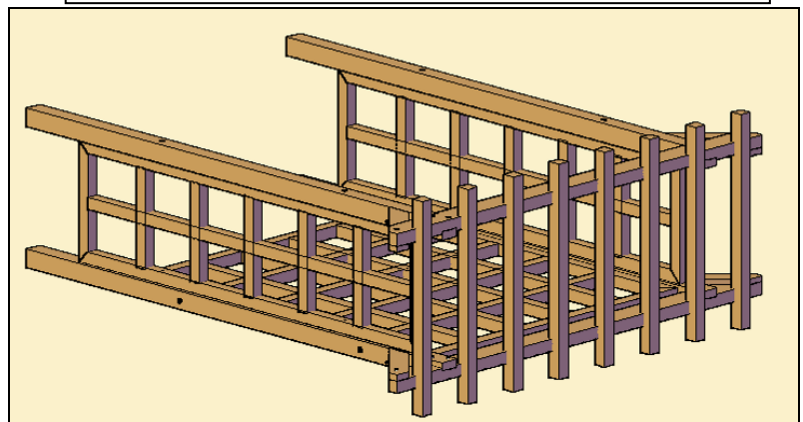
Attach part C (post) to part I (trellis wall), with two bolts (5/16" x 4 1/2") washers & nuts (into two holes marked "10"). Tap the bolt all the way into the wood to set it. Then add a washer and nut and lightly tighten.

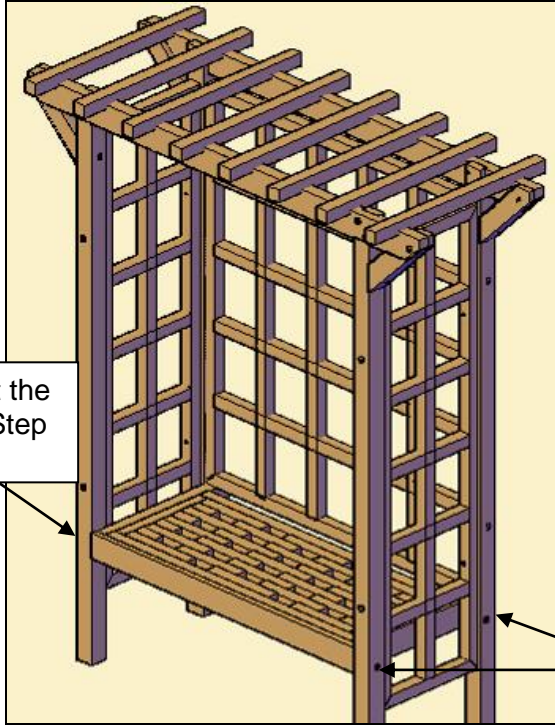
Repeat steps 5 y 6 in the other posts and trellis walls



STEP 7:

Attach parts N, O, P, Q, R, S, t & U (Slats) to parts L & M (roof timbers), with 16 Deck Screws (8" x 3") (two deck screws for each one)





STEP 8:
Attach W (Lighthouse bench) to parts A and B (post), with two bolts (5/16" x 4 1/2") washers and nuts.

Repeat the same Step

Two Bolts
(5/16" x 4 1/2")
Washers and
nuts