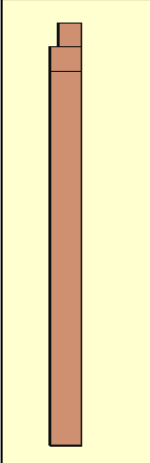
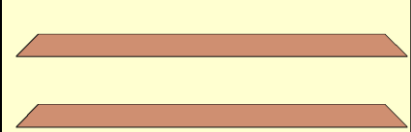
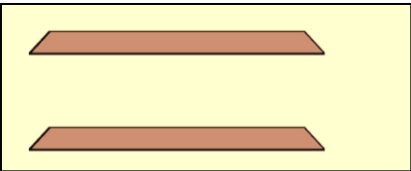
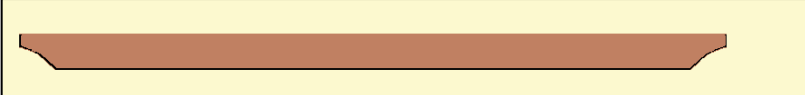
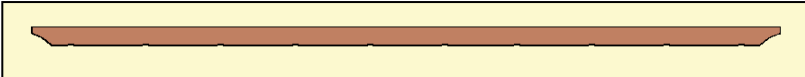
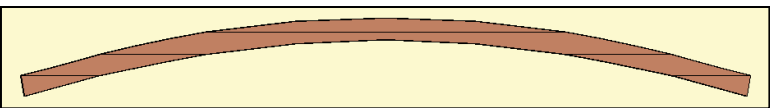
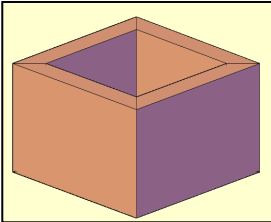

866.332.2403 (Toll Free); 7am-7pm Pacific Time, Monday-Saturday

Assembly instructions for: **ARCHED PERGOLAS WITHOUT LATTICE PANELS**







Quantity	Description	Drawing
4	Posts	
4	Braces(28")	
4	Shorter Braces (22")	
4	Supports	
Quantity will vary depending on size	Roof Slats	
Quantity will vary depending on size	Rafters	
4	Trim pieces for bottom of posts	

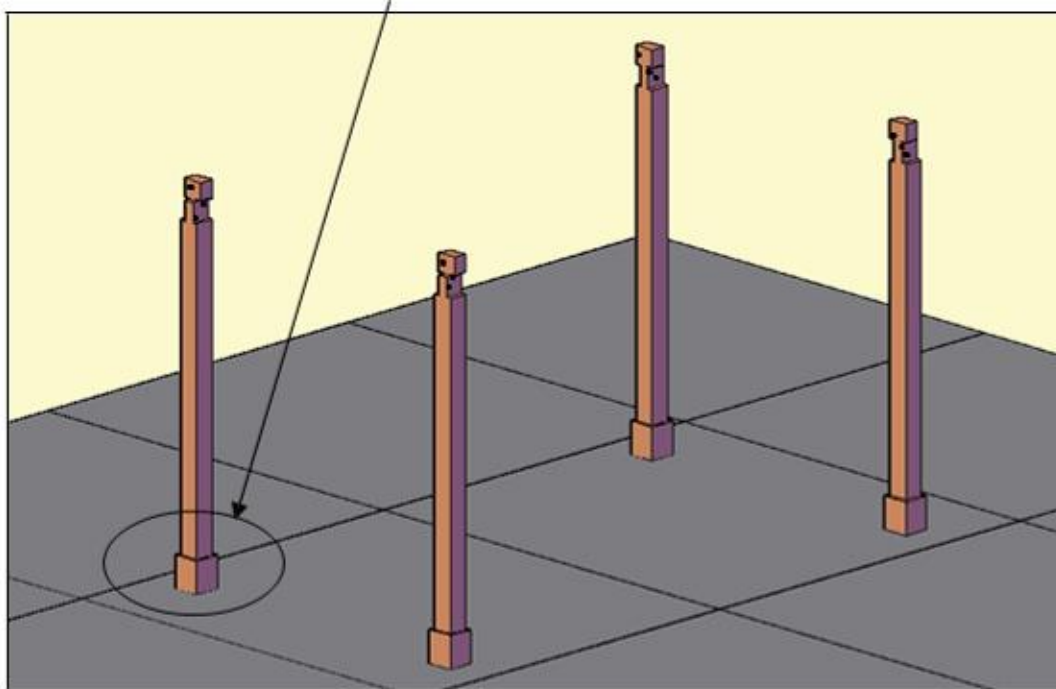
ASSEMBLY INSTRUCTIONS

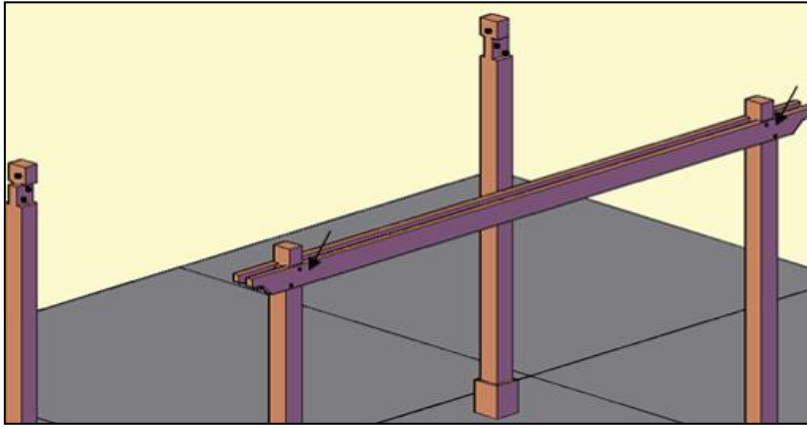
All Pergolas are completely erected in the shop prior to be crating for shipping. All hardware is included. All parts are fully sanded, routed, notched, drilled and numbered for ease of reassembly. The parts that go together have the same numbers/letters written next to the predrilled holes they attach to.

All Pergola parts are notched into the part they connect to. You'll find the numbers next to the notches and/or drill holes. Before beginning re-assembly, place the parts that go together on the ground with one another so you don't have to be searching around in the middle of the reassembly. Most pergolas take less than one day to reassemble with one helper. Very large pergolas (6 posts or larger) usually require a second day to finish up.

STEP 1: Attach the four posts to concrete

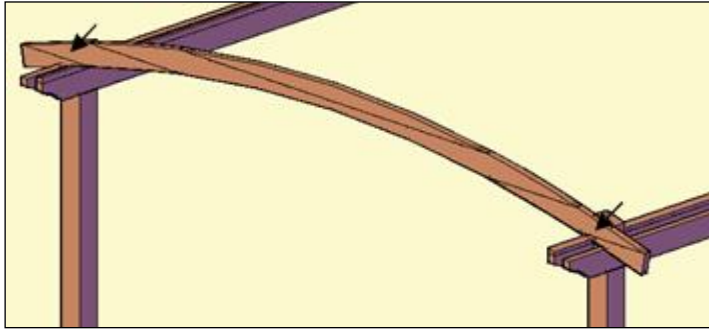
			
	Anchor (5 1/2" x 5 1/2") opening made with 1/4" thick steel	Lag Bolts	Wood trim to hide metal when finished





STEP 2: Attach supports to posts with four bolts (6 1/2" x 3/8") washers & nuts. (Match numbers). Tap the bolt all the way into the wood to set it, then add a washer and nut and lightly tighten.

Repeat this step with the other supports.

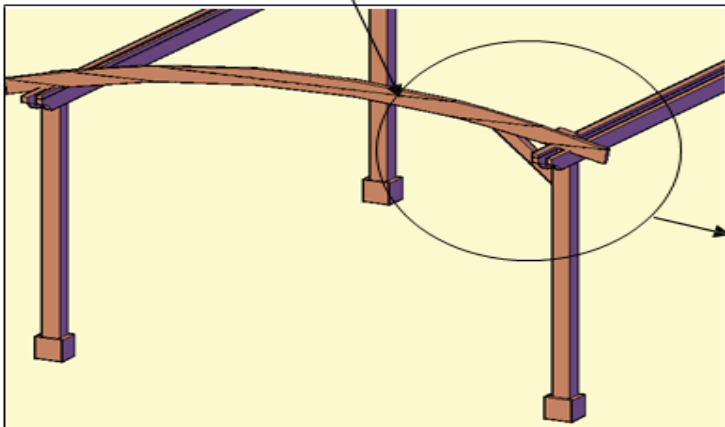


STEP 3: Attach corner rafter to posts with one bolt per post (6 1/2" x 3/8") washers & nuts. (Match numbers). Tap the bolt all the way into wood to set it, then add washer and nut and lightly tighten.

Repeat this step with the other supports.

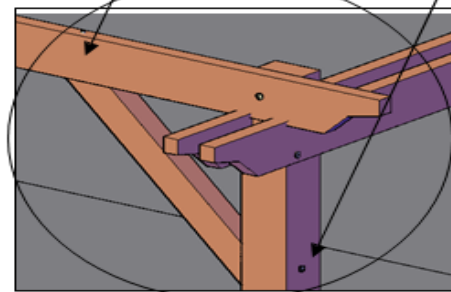
STEP 4: Attach brace (28") to post & rafter two bolts, washer & nuts. (Match numbers). Tap the bolt all the way into the wood to set it, then add a washer and nut and lightly tighten.

Repeat this step with the other supports.



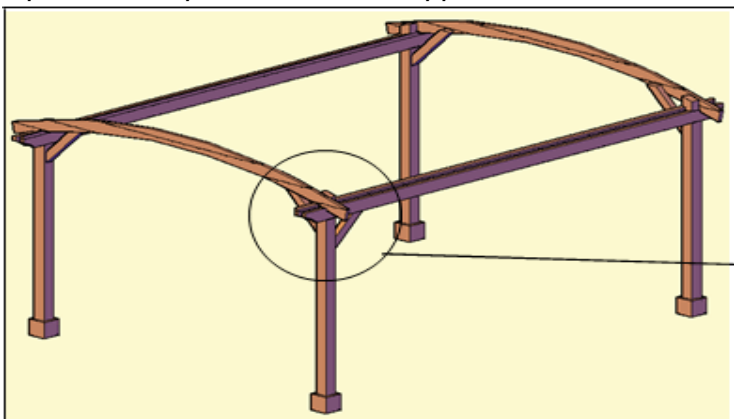
Bolts 4 1/2" x 5/16", washers & nuts.

Bolts 8" x 3/8", washers & nuts.



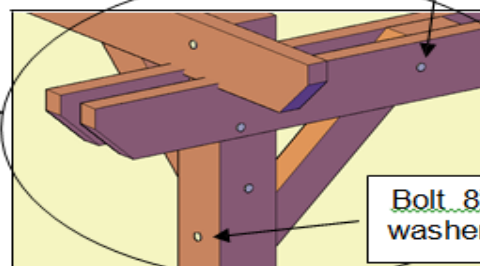
STEP 5: Attach shorter brace (22") to post & rafter two bolts, washer & nuts. (Match numbers). Tap the bolt all the way into the wood to set it, then add a washer and nut and lightly tighten.

Repeat this step with the other supports.



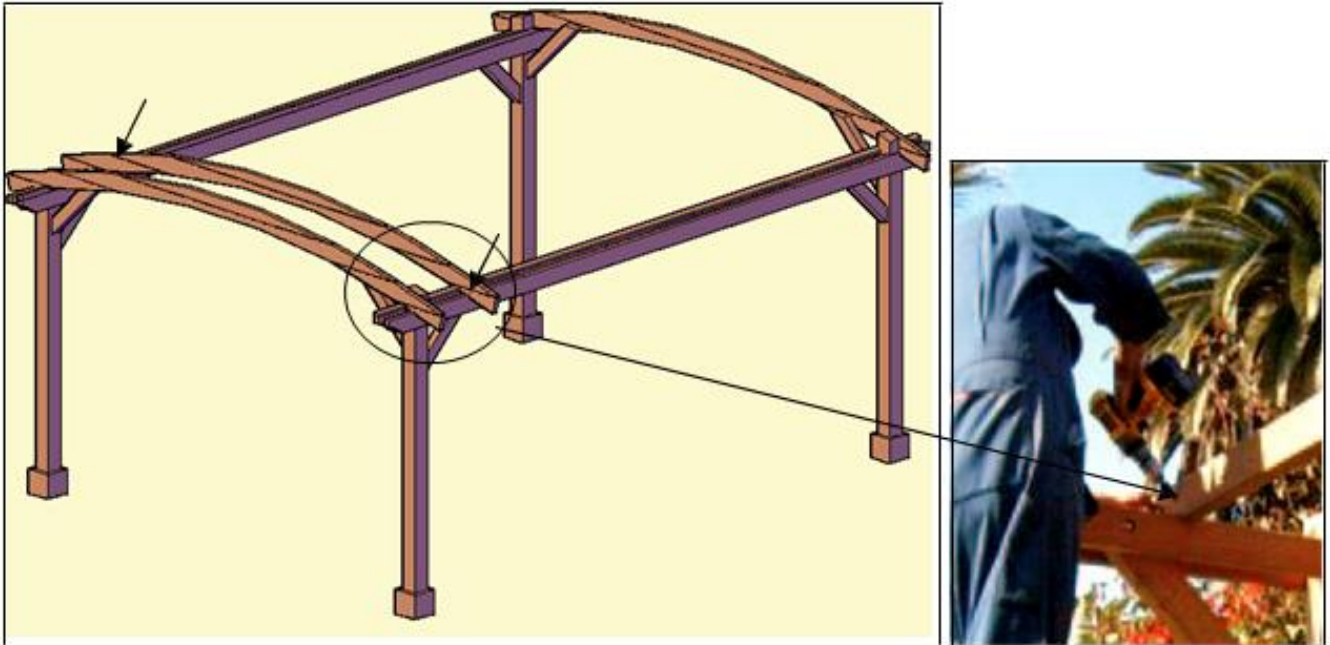
Bolt 6 1/2" x 3/8", washer & nut.

Bolt 8" x 3/8", washer & nut.



STEP 6: Attach rafters to supports with galvanized deck screws (3"x 8") at 45 degree angles to attach to the supports. There are 8 screws used per rafter (2 per support).

Make sure each rafter's notches are snugly into the supports before adding the deck screws. The supports have lines marking the exact spot to attach the rafter. The interior rafters do not have numbers. They are all cut identically and are interchangeable. Just make sure to stay to the markings on the supports to keep the spacing exactly the same (default rafter spacing is 18" on center unless custom ordered differently). Start at one end and attach one rafter at a time from both sides and on both ends before moving to the next rafter. *And repeat the process in all roof Rafters.*



STEP 7: Attach roof slats to rafters & with deck screws (3" x 8"). The roof slats are all notched identically. The roof slats are notched to fit into each of your rafters. Their rafter tops are marked in ink every 18 inches with 2 lines. Place one roof slat into lines on one end and begin to attach. *And repeat the process in all roof slats.*



This completes the pergola assembly.

Hope you enjoy your set for many decades. If you ever have a problem or a question, don't hesitate to call us (866 332 2403) or email us. We are here to support you.