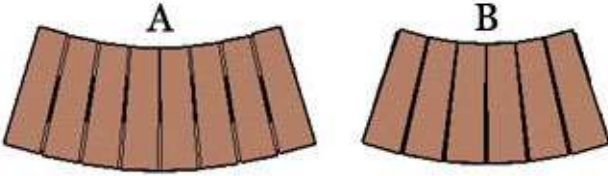
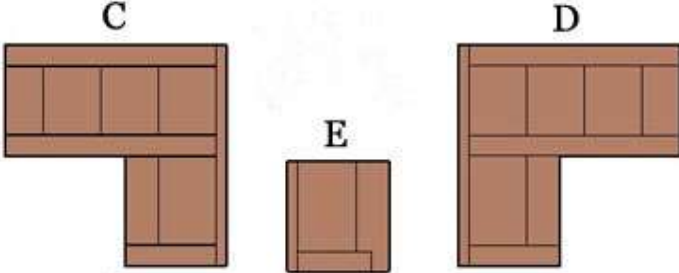
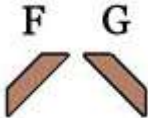

866.332.2403 (Toll Free); 7am-7pm Pacific Time, Monday-Saturday

Assembly Instructions for: **CIRCULAR SPA STEPS**



Thank you for purchasing Forever Redwood patio furniture. Forever Redwood is built by Old-Growth Again Restoration Forestry (OGA). OGA is dedicated to restoration forestry. Sales of patio furniture finance our restoration work in California redwood forestlands.

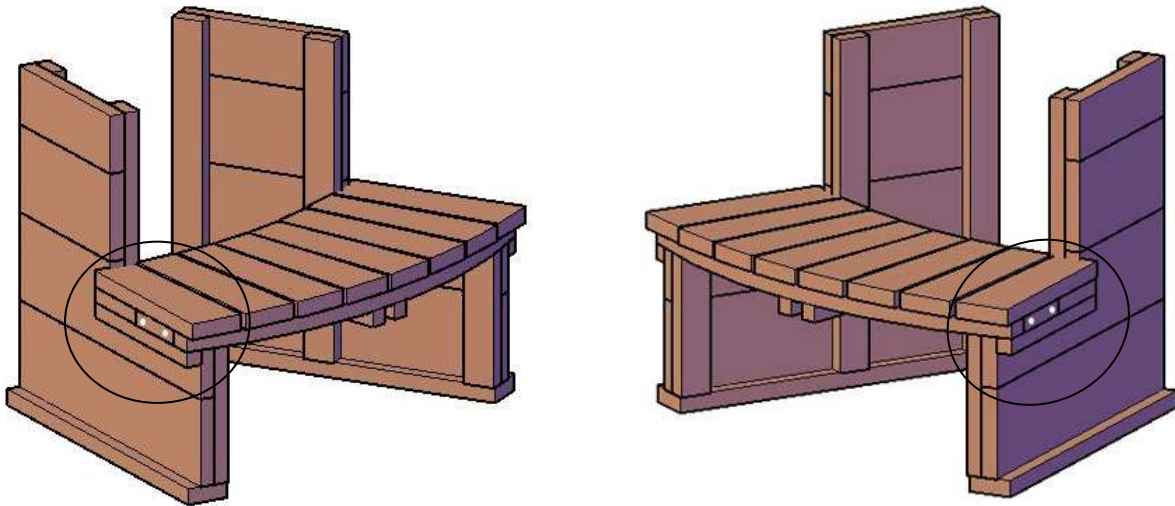
Boxes Content:

Quantity	Description	Drawing
1	Steps (A & B)	
3	Left leg (C), Right Leg (D) and Center Leg (E)	
2	Diagonal Supports (F & G)	
10	Carriage bolts 2 1/2" x 5/16", Washers and Nuts	
4	8" x 2 1/2" Deck Screws	

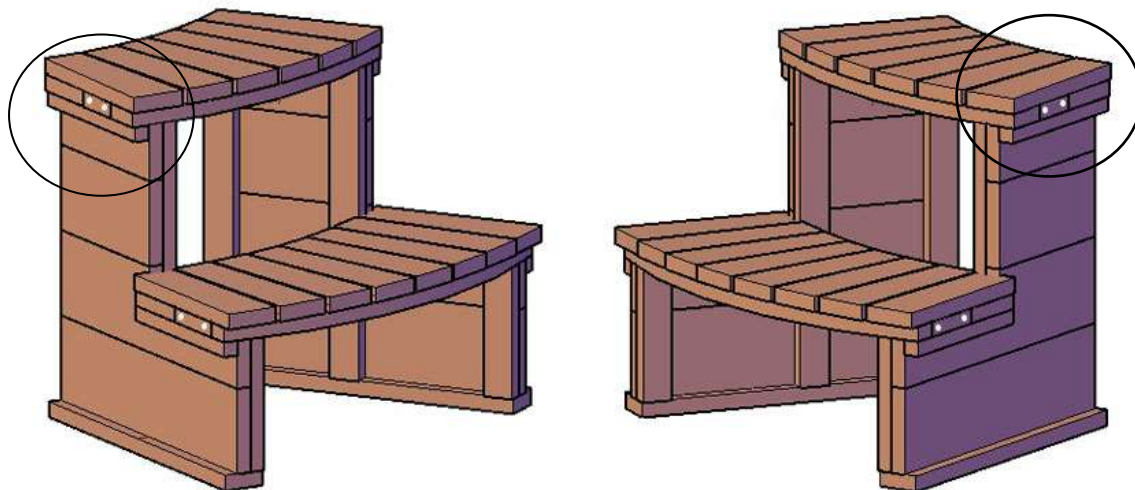
The parts that go together have the same numbers written next to the predrilled holes they attach to. Align the parts with the numbers as shown for ease of reference

Tools required: 1/2-inch ratchet and a mallet or small hammer.

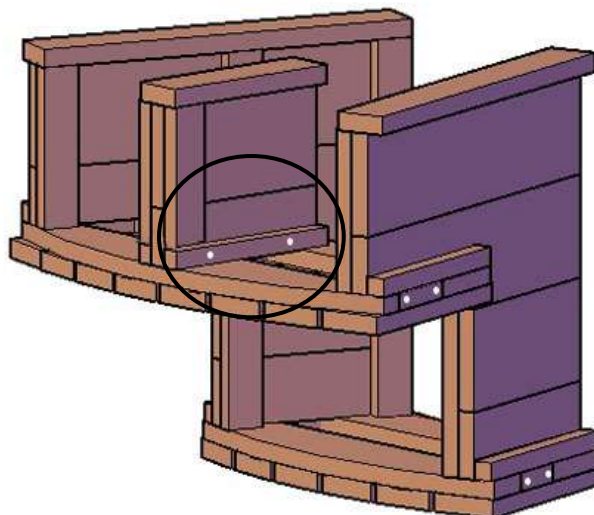
Step 1: Attach part C (left leg) to part A (step), with two bolts (2 1/2" x 5/16"), washers & nuts (into two holes marked "1"). Tap the bolt all the way into the wood to set it. Then add a washer and nut and lightly tighten. Repeat for part D (right leg).



Step 2: Attach part B (step) to both legs, with two bolts (2 1/2" x 5/16"), washers & nuts (into two holes marked "3") per side. Tap the bolt all the way into the wood to set it. Then add a washer and nut and lightly tighten.

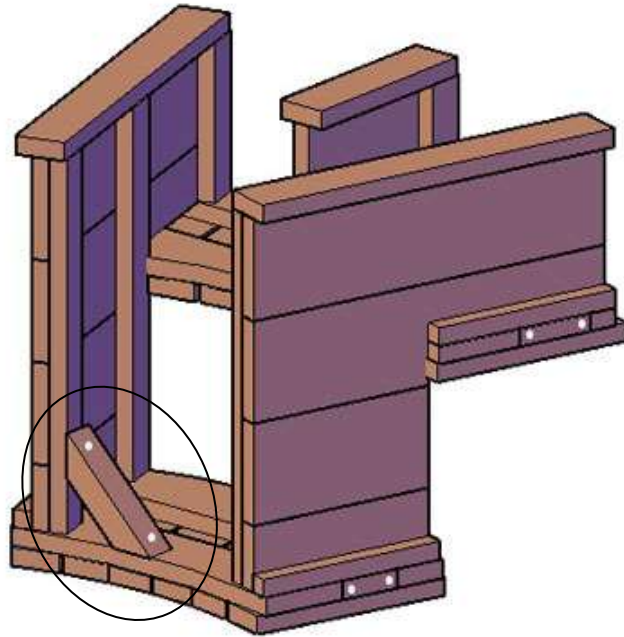


Step 3: Attach part E (center leg) to part A (step), with two bolts (2 1/2" x 5/16"), washers & nuts (into two holes marked "6"). Tap the bolt all the way into the wood to set it. Then add a washer and nut and lightly tighten.

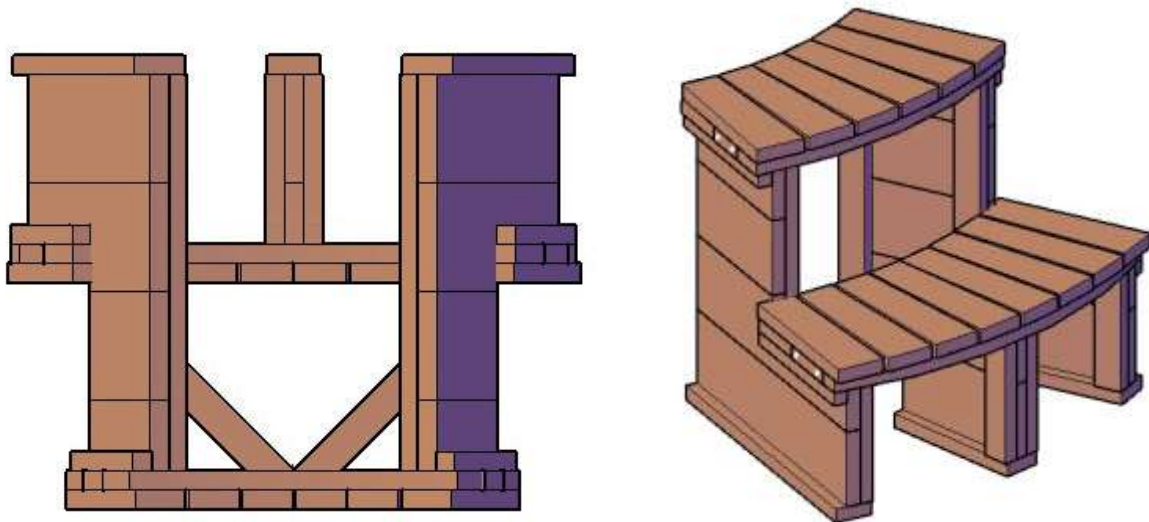


STEP 7:

Attach part F (diagonal support) to part A & D (step & assembly right), with two deck screws (8"x 2 1/2"). Repeat this step for the other diagonal support.



When you finish with the supports your Spa Step should be as shown



Thank you. If you have any questions, please call or email us.