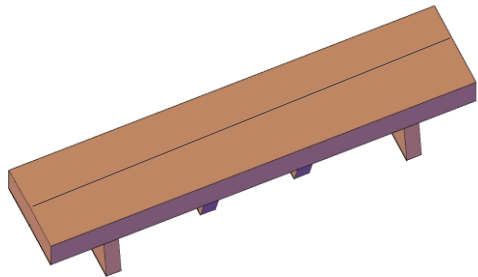

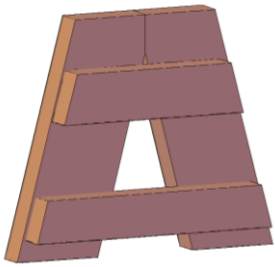

866.332.2403; Outside the US: 619.600.5630 7am-7pm Pacific Time, Monday-Saturday

Assembly Instructions for: **CLASSIC PICNIC BENCHES**



Thank you for purchasing Forever Redwood patio furniture. Forever Redwood is built by Old-Growth Again Restoration Forestry (OGA). OGA is dedicated to restoration forestry. Sales of patio furniture finance our restoration work in California redwood forestlands.

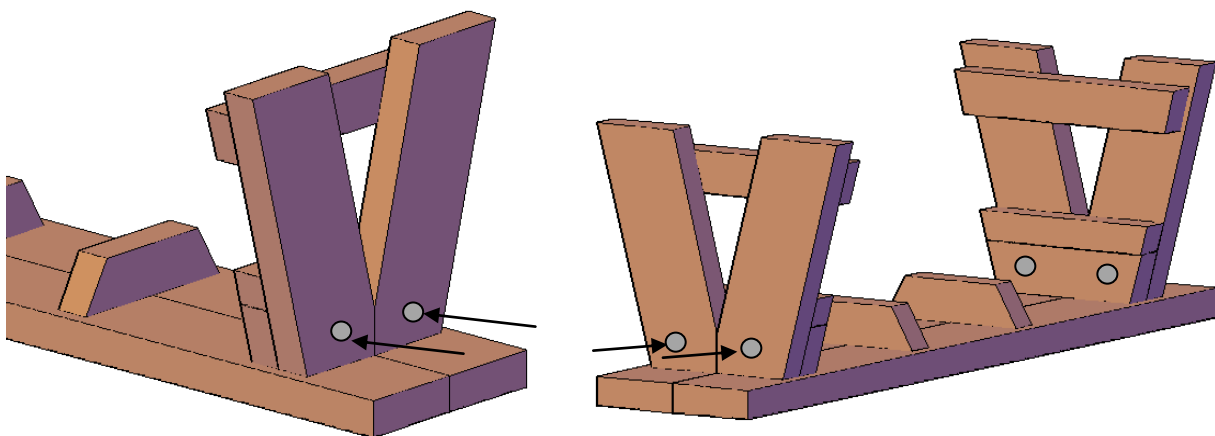
Content of boxes

<u>Quantity</u>	<u>Description</u>	<u>Drawing</u>
1	Bench Top	
2	Diagonal Supports	
2	Legs	
6 to 8 (Depend on length)	Carriage Bolts 5/16" x 3 1/2", Washers and Nuts	
4	Deck Screw (If apply)	

The parts that go together have the same numbers written next to the predrilled holes they attach to. Align the parts with the numbers as shown for ease of reference

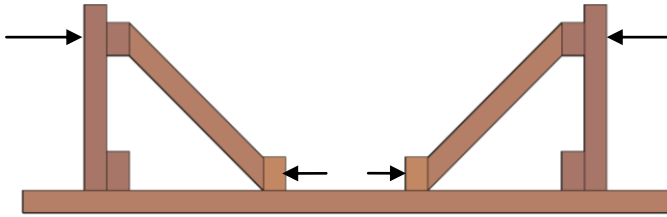
Tools required: 1/2-inch ratchet and a mallet or small hammer.

Step 1: Place the bench top upside down over a soft surface. Attach leg to bench top with two carriage bolts (3 1/2" x 5/16), washers and nuts. Match the numbers written next to the predrilled holes on both pieces, align the holes and tap the bolts all the way in. Then add a washer and tighten the nut. The legs are not interchangeable from side to side. Repeat this step with the other leg



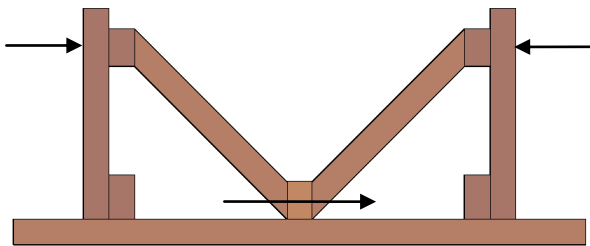
Step 2: Attach diagonal supports to legs and bench top. There are 3 cases to attach the diagonal supports and it will depend of your bench length. Match the numbers written next to the predrilled holes. If a hole is 5/16" then you must attach that part with a carriage bolt. For small benches you will notice that holes are tiny and you must attach the diagonal supports with deck screws provided for us.

Case 1: For large benches



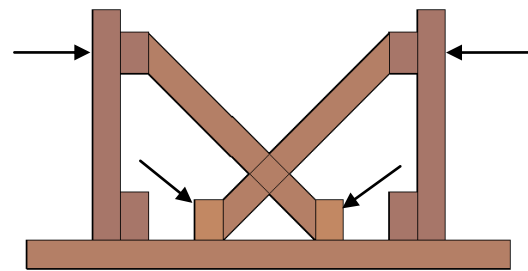
Larger Benches – 2 bolts to attach each diagonal Support

Case 2: For small benches



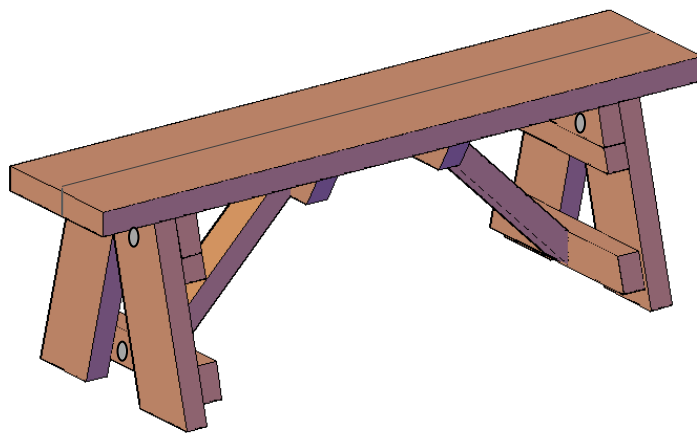
Small Benches – 1 bolt to attach each diagonal support to legs and 1 bolt to attach both diagonal supports to bench top

Case 3: For tiny benches



Tiny Benches – Could be 32" or less. 2 deck screws to attach each diagonal support to bench top and one carriage bolt to attach each diagonal support to each leg

Step 3: Turn the bench over. You are done!



Thank you. If you have any questions, please call or email us.