


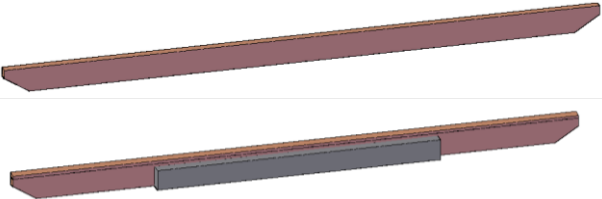
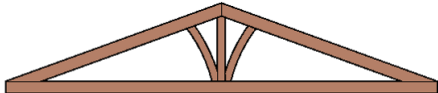
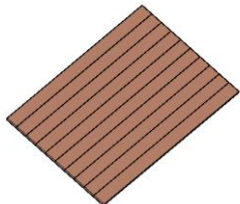
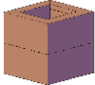








866.332.2403 (Toll Free); 8am-5pm Pacific Time, Monday-Friday

Assembly instructions for: **DEL NORTE OUTDOOR KITCHEN PAVILIONS**



CONTENT OF BOXES

QUANTITY	DESCRIPTION	DRAWING	
4	Posts		
4	Main Knee Braces (strengthen union between posts and dual support timbers)		
4	Secondary Knee Braces (strengthens union between posts and rafters)		
4	Dual Support Beams (usually ship in 2 parts that include blocking timber(s) attached to one of the 2 dual supports)		
Quantity will vary depending on size	Rafters		
Quantity will vary depending on size	Roof Panels		
4	Trim pieces for bottom of posts		
Depending on size	Hardware: Bolts and deck screws	Deck Screws	Bolts, washers and nuts
			
2 (if you ordered)	Anchors (U brackets, Gale Wind or hurricane anchors)	Hurricane anchors	
		  	
1 (if chosen)	Ceiling Fan base		

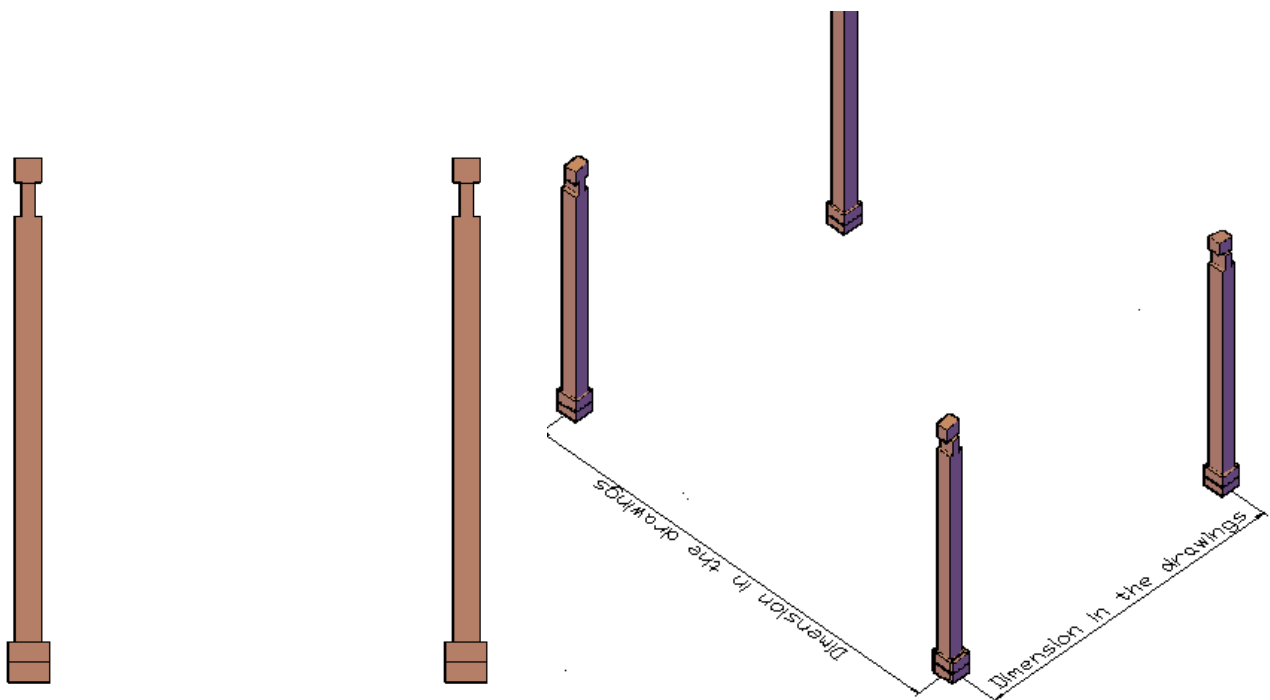
ASSEMBLY INSTRUCTIONS

All Pavilions are completely erected in the shop prior to crating for shipping. All hardware is included. All parts are fully sanded, routed, notched, drilled and numbered for ease of reassembly. The parts that go together have the same numbers/letters written next to the predrilled holes they attach to.

All Pavilions parts are notched into the part they connect to. You'll find the numbers next to the notches and/or drill holes. Before beginning re-assembly, place the parts that go together on the ground with one another so you don't have to be searching around in the middle of the reassembly. Most pavilions take less than one day to reassemble with one helper. Very large pergolas (6 posts or larger) usually require a second day to finish up.

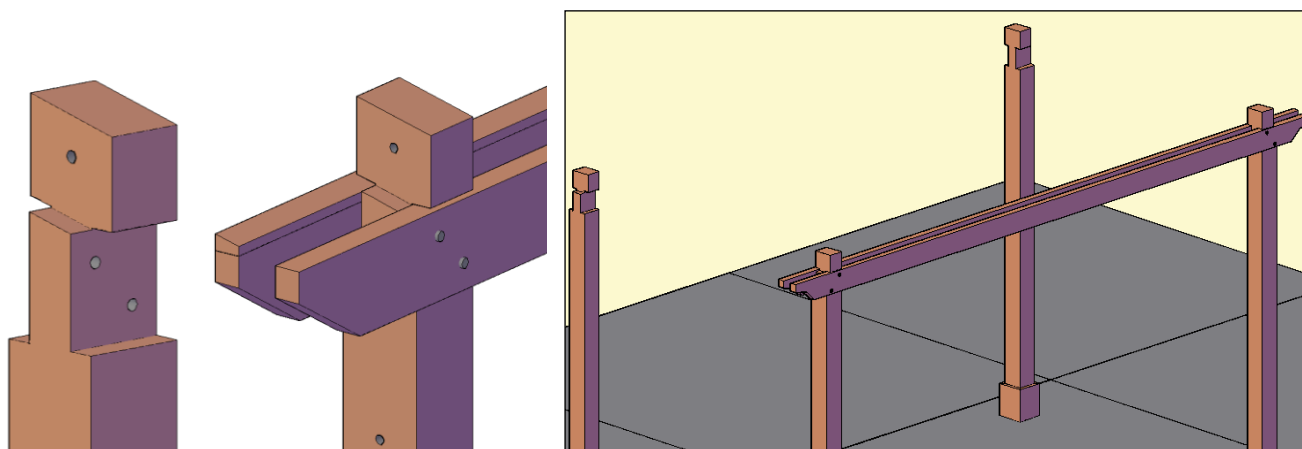
Note: print the drawings that you approved before start the construction, they are needed to see the distances between the posts.

Step 1. Attach the post to the ground. There are different ways to do it. Please see the **How to anchor your pergola document**.

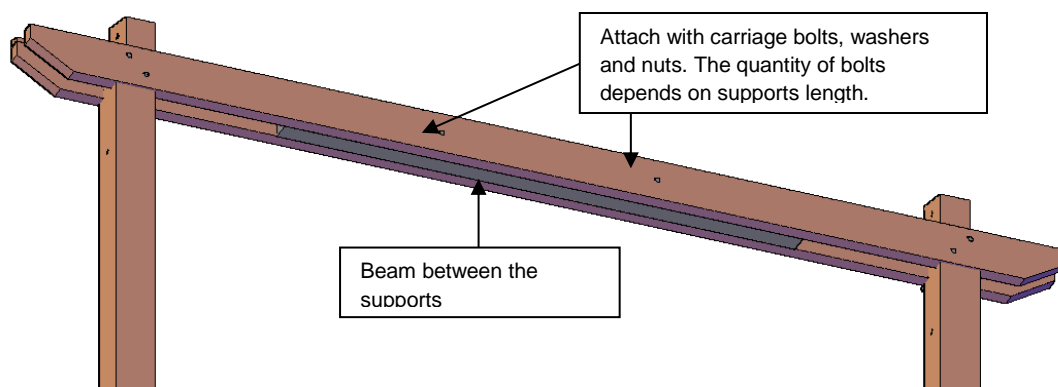


Step 2. Attach dual support beam to posts with four bolts (6" x 3/8") washers & nuts. (Match numbers). Tap the bolt all the way into the wood to set it, then add a washer and nut and lightly tighten.

Repeat this step with the other dual support beam.

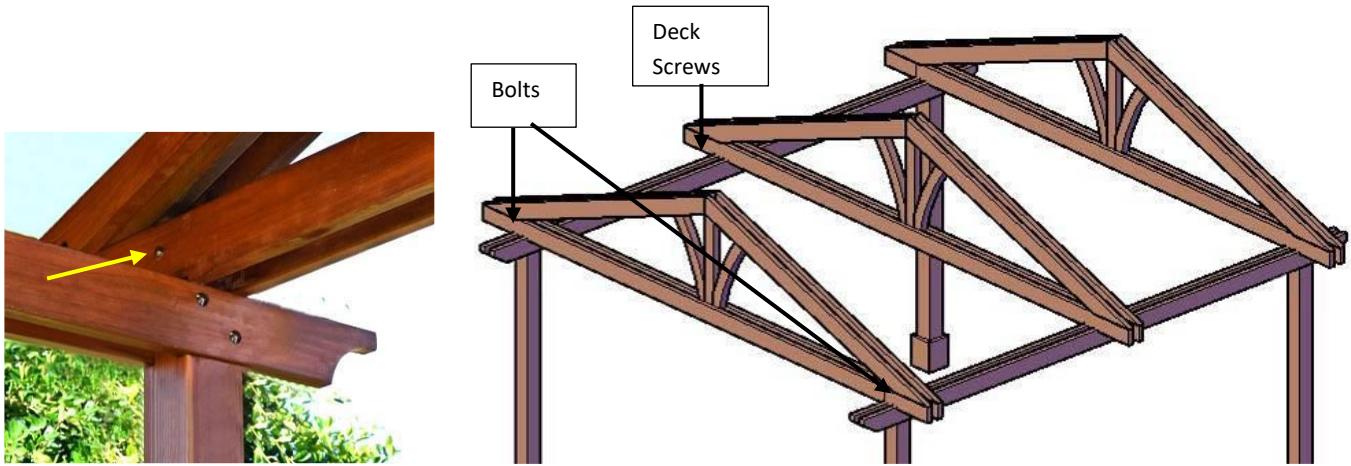


One of the 2 supports has one large beam already attached or a few 18" pieces depending on size, this adds support and strength to the structure. This beam must be in the interior of the support and bolted after you attach the supports to posts as shown below:

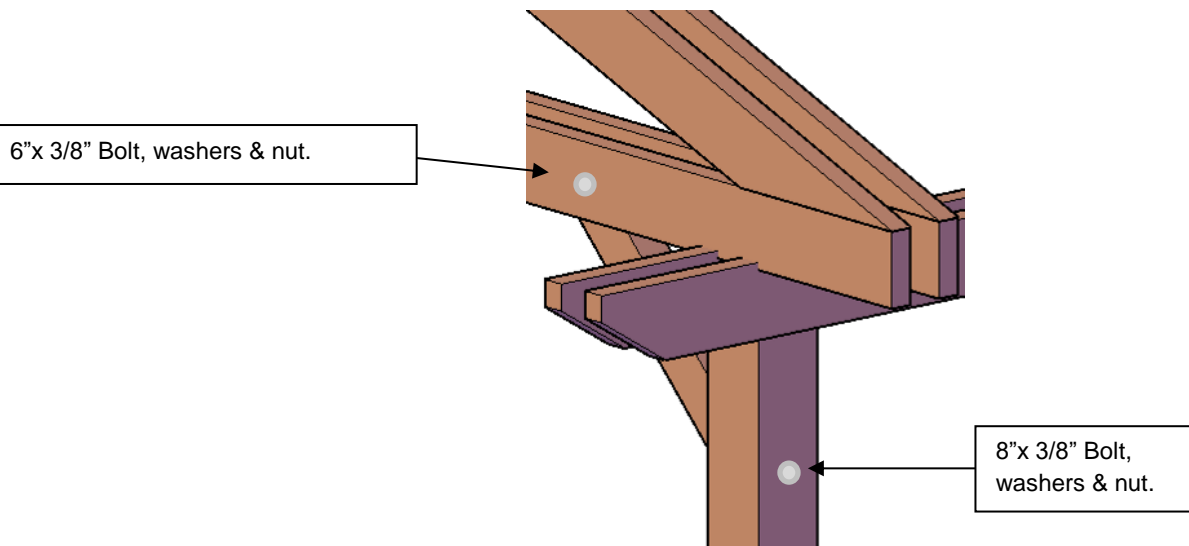


Step 3. Attach corner rafter to posts with one bolt per post (6 " x 3/8") washer & nut and use deck screws to attach the other rafters. (Match numbers). Tap the bolt all the way into the wood to set it, then add a washer and nut and lightly tighten.

Repeat this step in the other side (Rafter and Posts).

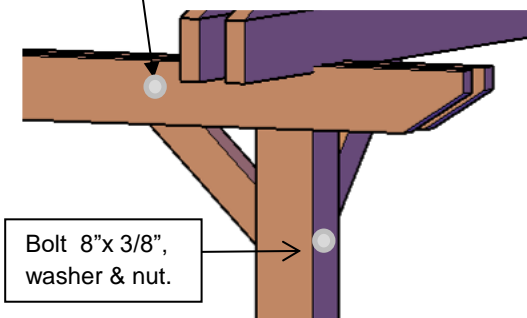


Step 4. Attach Secondary Knee Braces to post & rafter with two bolts, washers & nuts. (Match numbers). Tap the bolt all the way into the wood to set it, then add a washer and nut and lightly tighten. *Repeat this step with the other end arch.*

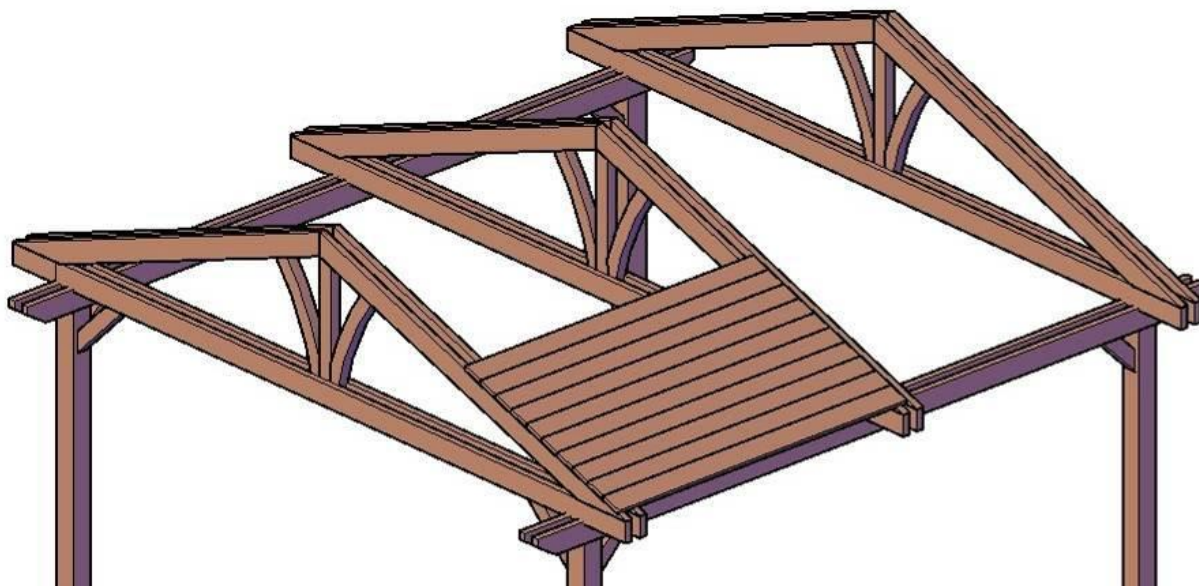


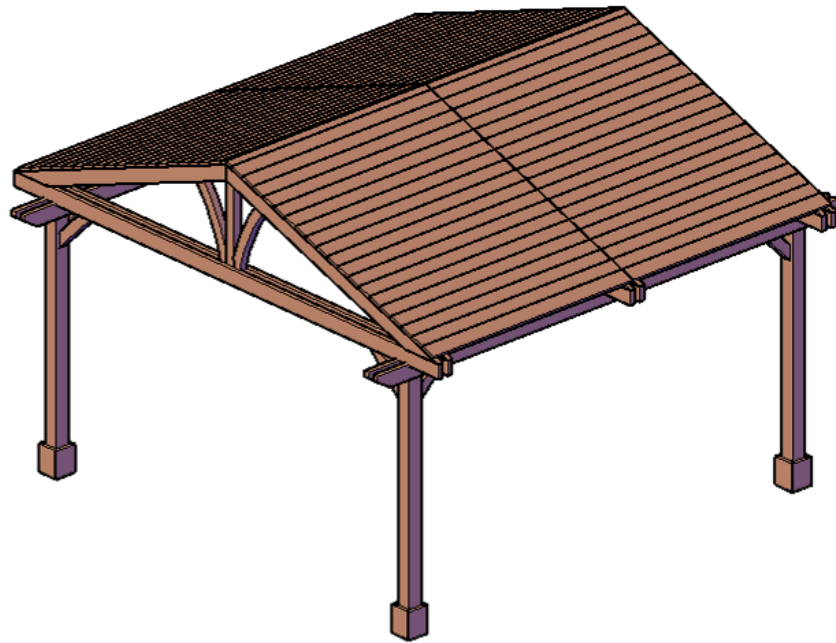
Step 5. Attach main knee brace to post & dual support beams with two bolts, washers & nuts. (Match numbers). Tap the bolt all the way into the wood to set it, then add a washer and nut and lightly tighten. *Repeat this step with the other main knee brace.*

Bolt 6 "x 3/8", washer & nut.



Step 6. Attach roof panels to rafters with post (6 " x 3/8") washers & nuts .Tap the bolt all the way into the wood to set it, then add a washer and nut and lightly tighten. The panels are all notched identically.





This completes the pavilion assembly. Hope you enjoy your set for many decades. If you ever have a problem or a question, don't hesitate to call us (866 332 2403) or email us. We are here to support you.