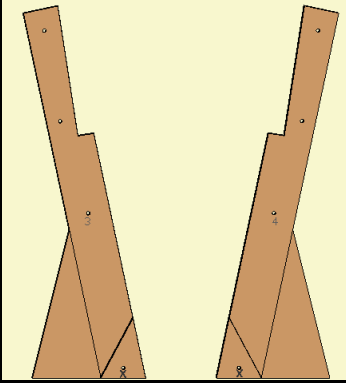
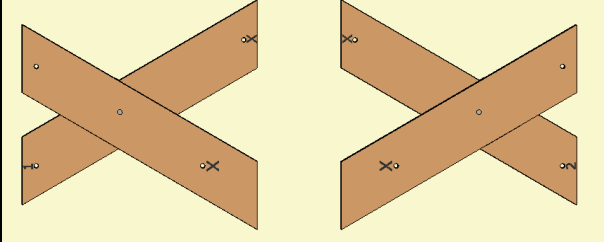
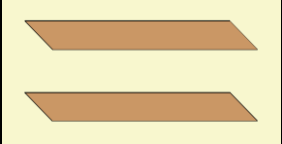
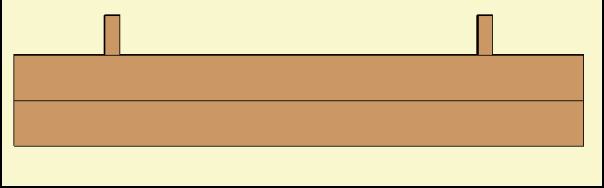
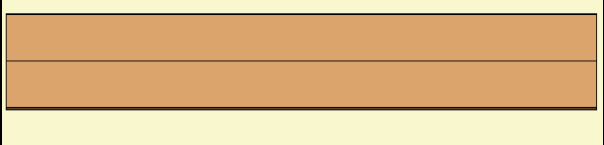


Assembly Instructions for: **FULLBACK BENCHES**



Thank you for purchasing Forever Redwood patio furniture. Forever Redwood is built by Old-Growth Again Restoration Forestry (OGA). OGA is dedicated to restoration forestry. Sales of patio furniture finance our restoration work in California redwood forestlands.

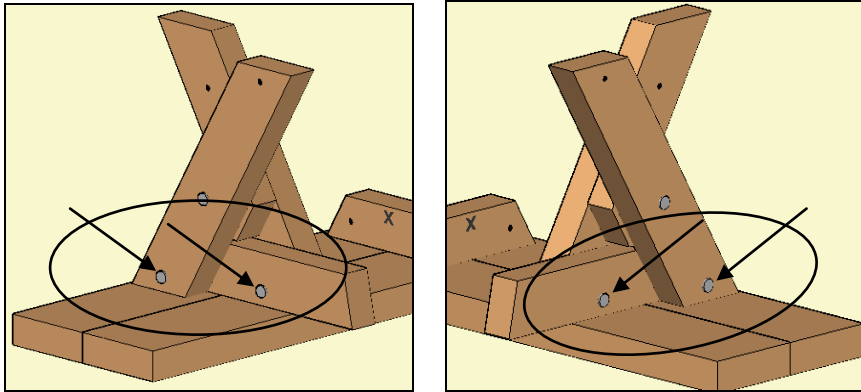
Content of boxes:

Quantity	Description	Drawing
2	Back Legs	
2	Seat Legs	
2	Diagonal Supports	
1	Seat	
1	Backrest	
14	Carriage bolts 3 1/2" x 5/16", Washers & Nuts	
2	Carriage bolts 5 1/2" x 5/16", Washers & Nuts	

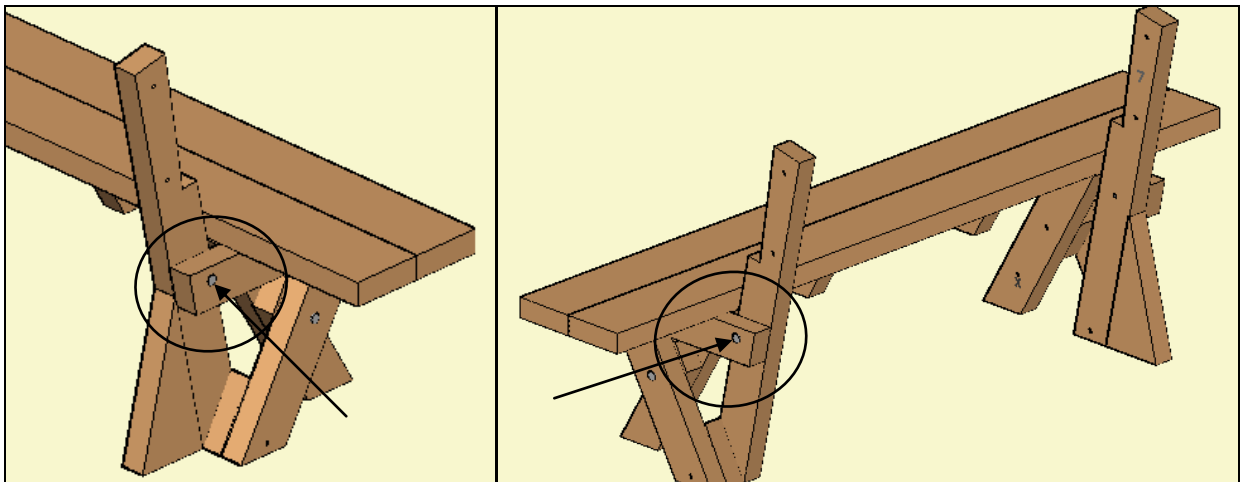
The parts that go together have the same numbers written next to the predrilled holes they attach to. Align the parts with the numbers as shown for ease of reference

Tools required: 1/2-inch ratchet and a mallet or small hammer.

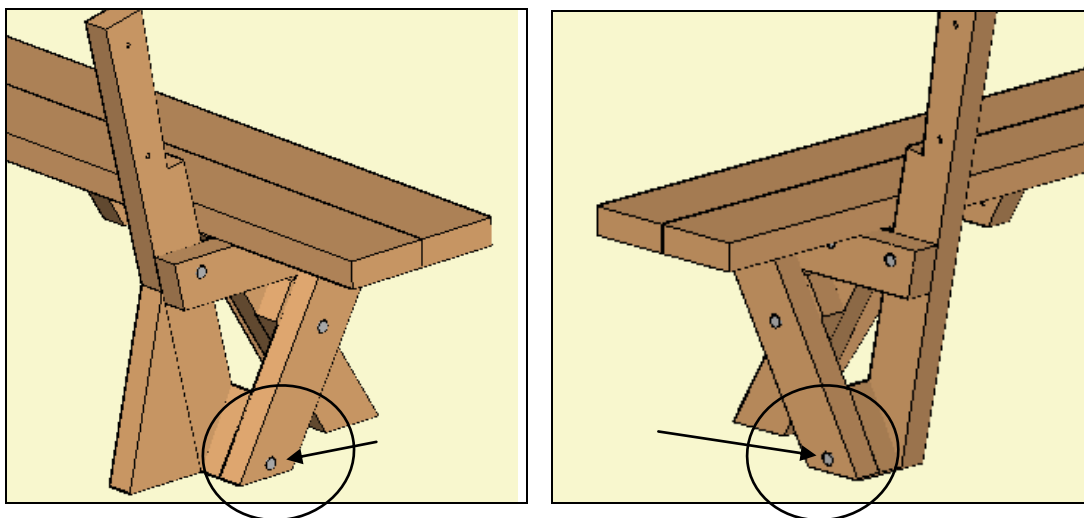
Step 1: Place the seat on a soft surface upside down and attach seat legs to seat with two carriage bolts (3 1/2" x 5/16"), washers & nuts each. Match the numbers written next to the predrilled holes of every piece. Tap the bolt all the way into the wood to set it. Then add a washer and nut and lightly tighten.



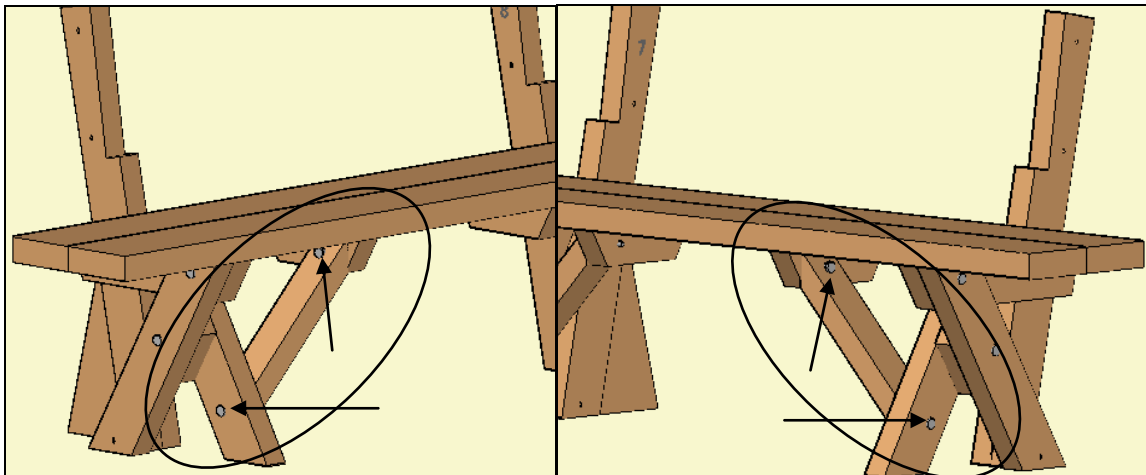
Step 2: Turn the bench over and attach back legs to seat with one bolt (3 1/2" x 5/16"), washer & nut each one. Tap the bolt all the way into the wood to set it. Then add a washer and nut and lightly tighten.



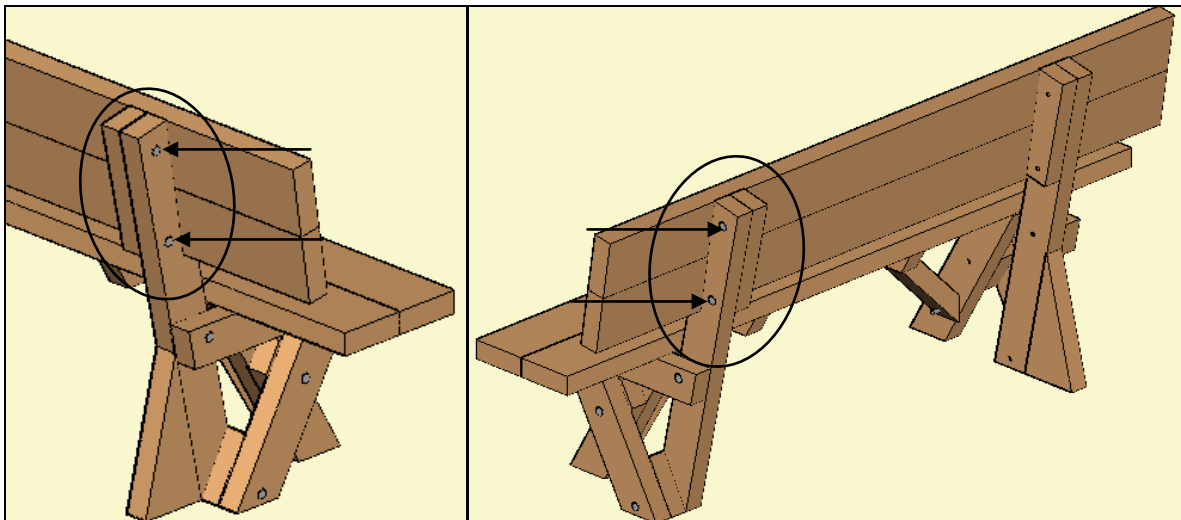
Step 3: Attach seat legs to back legs with one bolt (5 1/2" x 5/16"), washer & nut each. Tap the bolt all the way into the wood to set it. Then add a washer and nut and lightly tighten



Step 4: Attach diagonal support to seat and seat leg with one bolt (3 1/2" x 5/16"), washer & nut per side. Tap the bolt all the way into the wood to set it. Then add a washer and nut and lightly tighten. Repeat this step to attach the other diagonal support to the other side of the bench.



Step 5: Attach backrest to back legs, with two bolts (3 1/2" x 5/16"), washers & nuts per side. Tap the bolt all the way into the wood to set it. Then add a washer and nut and lightly tighten.



Thank you. If you have any questions, please call or email us.