
866.332.2403; Outside the US: 619.600.5630 7am-7pm Pacific Time, Monday-Saturday

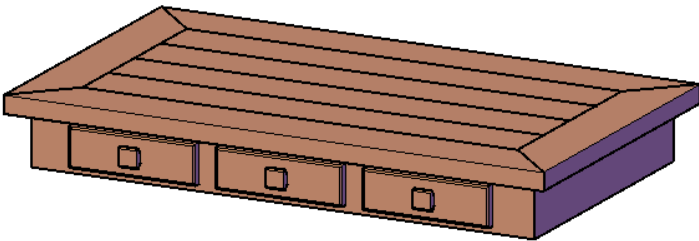
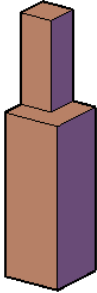
Assembly Instructions for: **MASSIVE COFFEE TABLES**



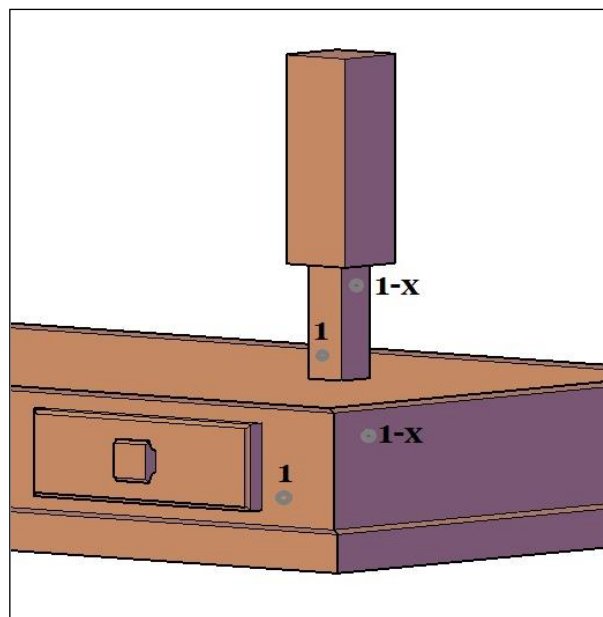
Thank you for purchasing Forever Redwood patio furniture. Forever Redwood is built by Old-Growth Again Restoration Forestry (OGA). OGA is dedicated to restoration forestry. Sales of patio furniture finance our restoration work in California redwood forestlands.

Tools required: ½-inch ratchet and a mallet or small hammer.

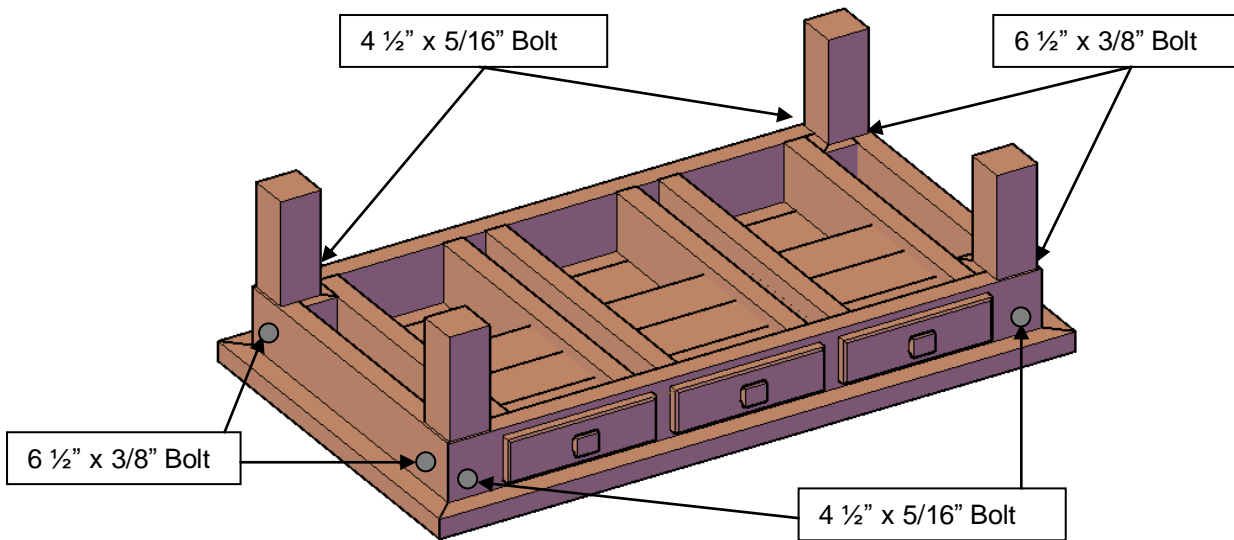
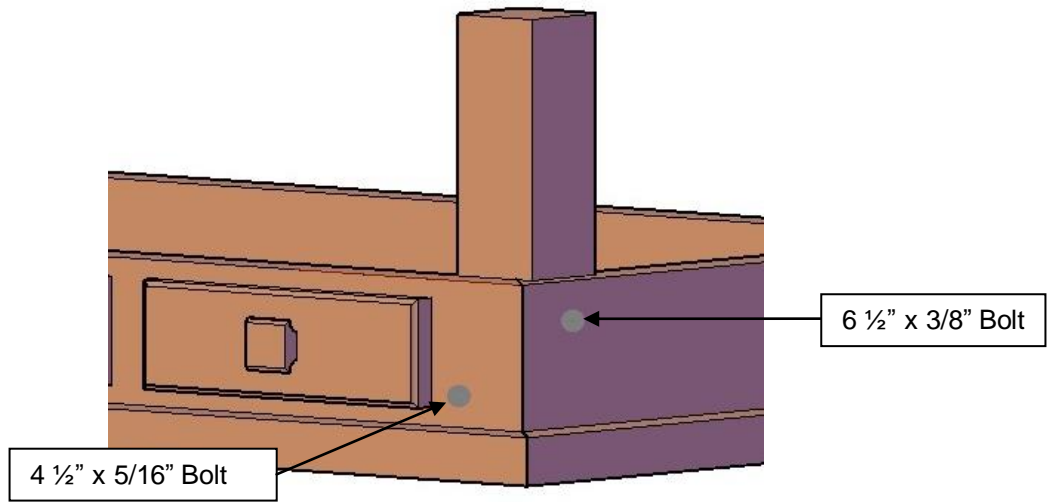
Content of boxes:

Quantity	Description	Drawing
1	Tabletop	
4	Legs	
4	Carriage Bolts 4 ½" x 5/16", Washers and Nuts	
4	Carriage Bolts 6 ½" x 3/8", Washers and Nuts	

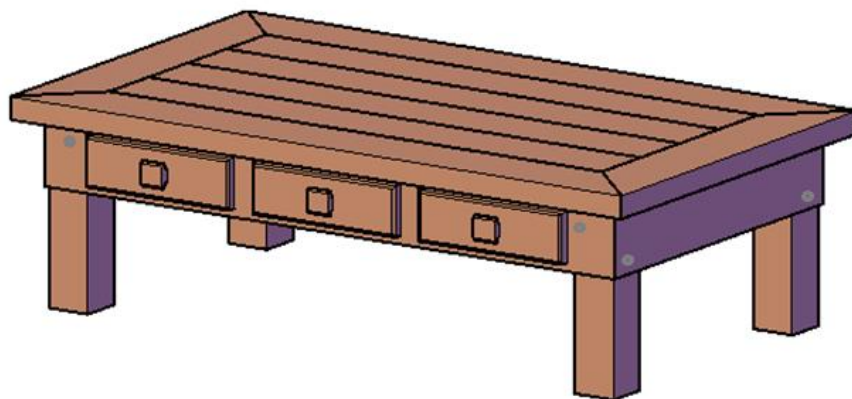
Unpack your table and make sure you have all the parts. The parts that go together have the same numbers written next to the predrilled holes they attach to. Align the parts with the numbers as shown for ease of reference.



Step 1: Turn tabletop upside down. Match the leg number to the number written next to the corner hole and attach with two carriage bolts, washers and nuts. Align the predrilled holes; lightly tap the 2 bolts in. The bolts should tap into their holes. If you have to force a bolt, the leg is probably not oriented properly, is in the wrong hole or it is turned around. Make sure the bolts are tapped all the way into the wood, then add washers and nuts and tighten with a ½-inch ratchet. Do not over tighten or you'll crush the redwood and weaken the table's structure.



Carefully turn the table around. Be careful not to place all the weight of the table on one leg – the table is heavy and can damage the point where the leg attaches if too much stress is placed on that point



Thank you. If you have any questions, please call or email us.