
866.332.2403; Outside the US: 619.600.5630 7am-7pm Pacific Time, Monday-Saturday

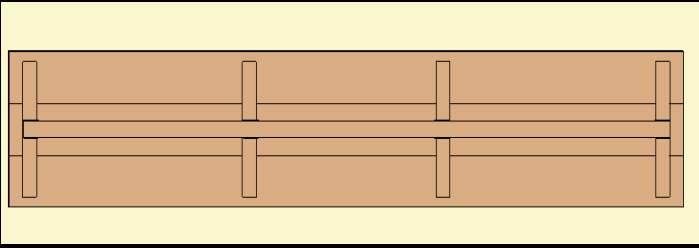
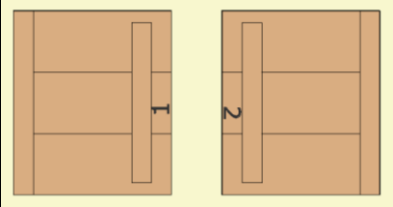
Assembly Instructions for: **MAYNARD BENCHES**



Thank you for purchasing Forever Redwood patio furniture. Forever Redwood is built by Old-Growth Again Restoration Forestry (OGA). OGA is dedicated to restoration forestry. Sales of patio furniture finance our restoration work in California redwood forestlands.

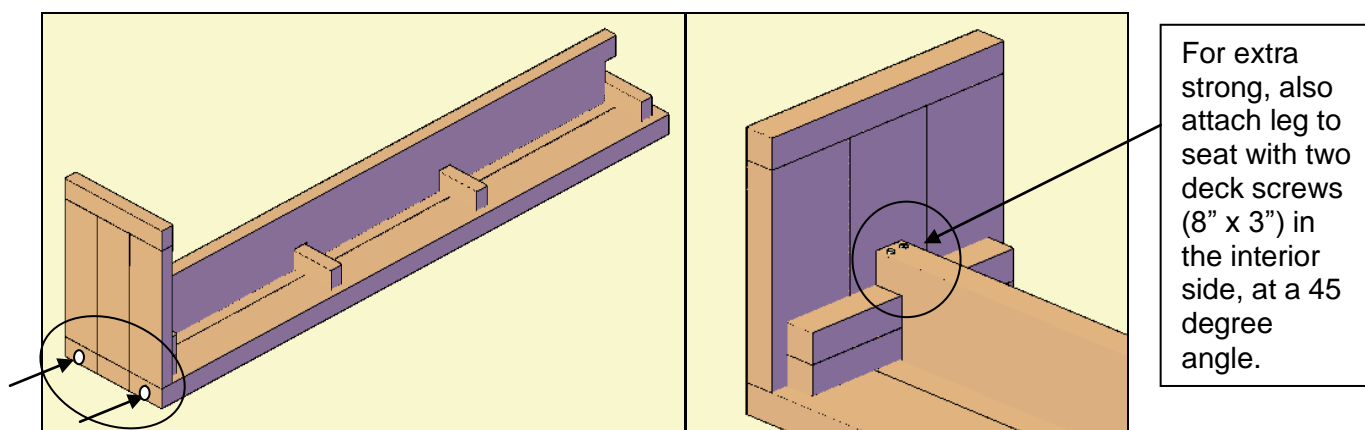
Tools required: ½-inch ratchet and a mallet or small hammer.

Content of boxes:

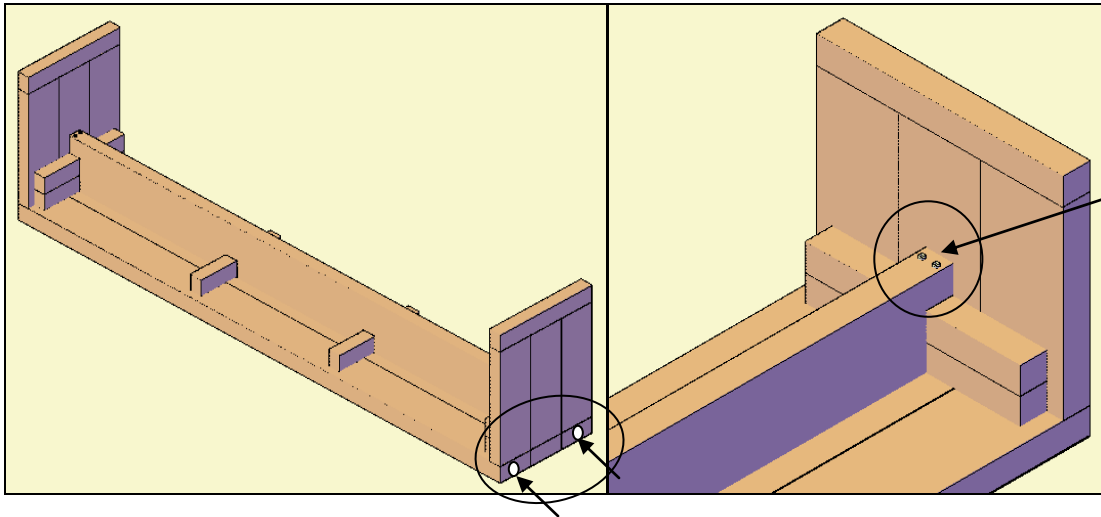
Quantity	Description	Drawing
1	Seat	
2	Legs	
4	Bolts 3 ½" x 5/16", Washers and Nuts	
4	Screws 8" x 3"	

Your furniture was fully assembled in the shop prior to being disassembled for shipping. All the parts fit. The parts that go together have the same numbers written next to the predrilled holes they attach to. Please take the time to align the parts with the numbers. If you are forcing a bolt in, the part may be turned around or not aligned properly. Tap the bolt all the way into the wood to set it, then add a washer and lightly tighten. Don't over tighten or you will crush the redwood.

Step 1: Attach leg to seat, with 2 bolts (3 ½" x 5/16"), washers & nuts. Match the holes written next to the predrilled holes on both pieces. Tap the bolt all the way into the wood to set it. Then add a washer and nut and lightly tighten.



Step 2: Repeat step 1 to attach the other leg to seat.



For extra strong, also attach leg to seat with two deck screws (8" x 3") in the interior side, at a 45 degree angle.

Thank you. If you have any questions, please call or email us.