

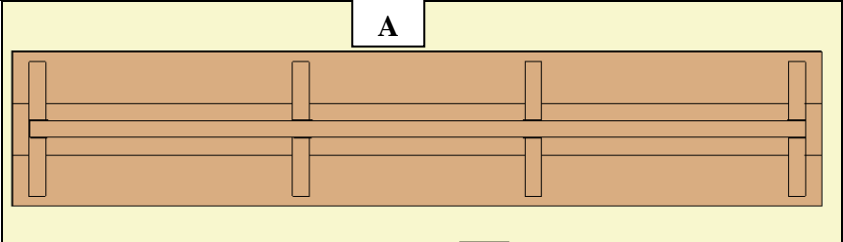
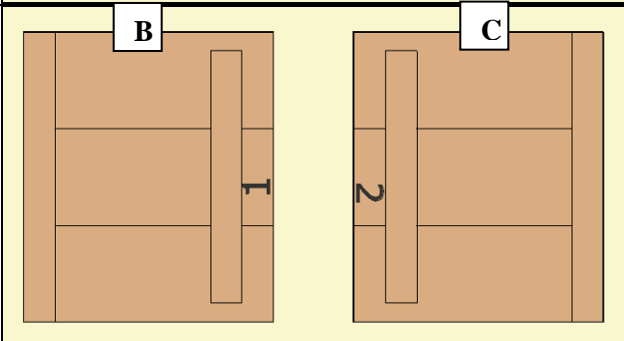
866.332.2403 (Toll Free); 7am-7pm Pacific Time, Monday-Saturday

## Assembly instructions for: **MAYNARD SHOWER BENCHES**



**Number of boxes: 1**

Box 1 of 2:

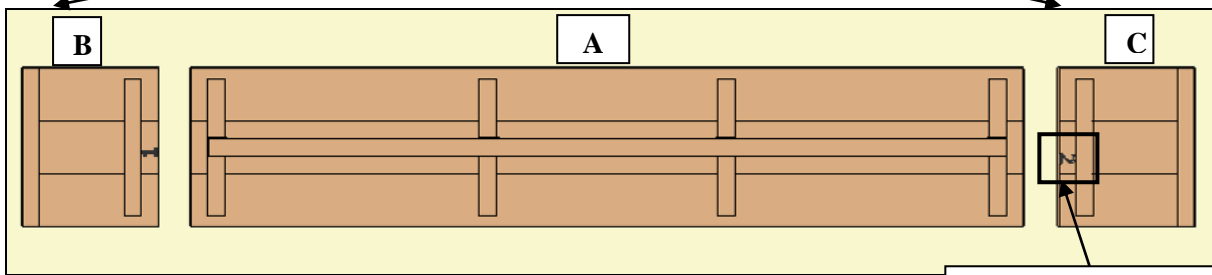
Quantity	Description	Drawing
4	Bolts 3 1/2" x 5/16", Washers and Nuts	
4	Screws 8" X 3"	
1	Seat (A)	
2	Leg assemblies left (B) & right (C)	

Thank you for purchasing Forever Redwood patio furniture. Forever Redwood is built by Old-Growth Again Restoration Forestry (OGA). OGA is dedicated to restoration forestry. Sales of patio furniture finance our restoration work in California redwood forestlands.

**Tools required:** 1/2-inch ratchet, a squarehead screwdriver and a mallet or small hammer.

Your furniture was fully assembled in the shop prior to being disassembled for shipping. All the parts fit. The parts that go together have the same numbers written next to the predrilled holes they attach to. Please take the time to align the parts with the numbers. If you are forcing a bolt in, the part may be turned around or not aligned properly. Tap the bolt all the way into the wood to set it, then add a washer and lightly tighten. Don't over tighten or you will crush the redwood.

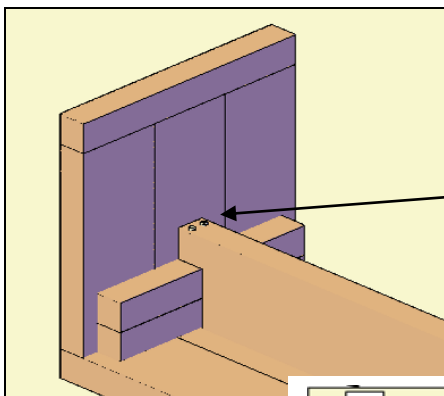
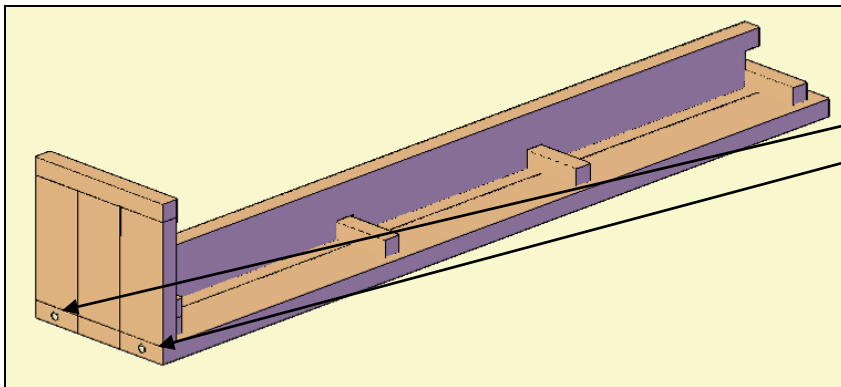
## CONTENT OF THE BOXES



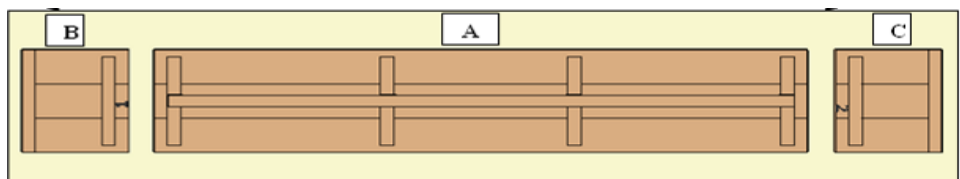
The parts that go together have the same numbers written next to the predrilled holes they attach to. Align the parts with the numbers as shown for ease of reference.

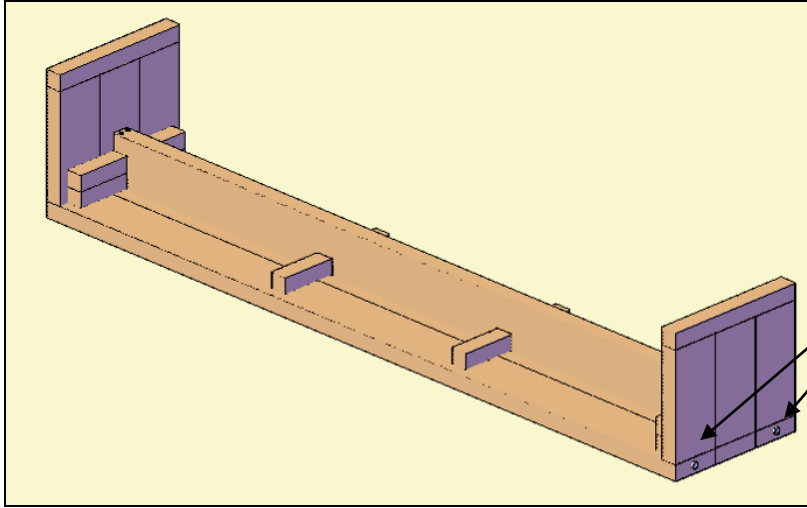
### **STEP 1:**

Attach part B (legs assembly left) to part A (seat), with 2 bolts (3 1/2" x 5/16"), washers & nuts. (Holes number one into holes number one). Tap the bolt all the way into the wood to set it. Then add a washer and nut and lightly tighten.



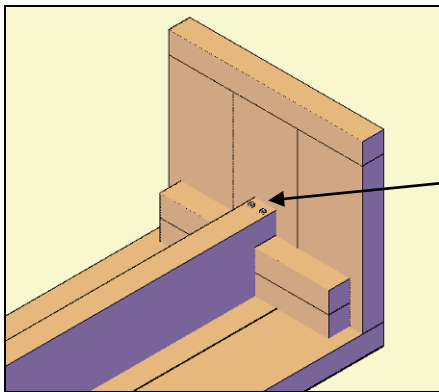
Attach part B (leg assembly left) to part A (seat), with two deck screws (3 x 8"), at a 45 degree angle.





**STEP 2:**

Attach part C (legs assembly right) to part A (seat), with 2 bolts (3 1/2" x 5/16"), washers & nuts. (Holes number two into holes number two). Tap the bolt all the way into the wood to set it. Then add a washer and nut and lightly



Attach part C (leg assembly right) to part A (seat), with 2 deck screws (3 x 8") at a 45 degree angle.