
866.332.2403; Outside the US: 619.600.5630 7am-7pm Pacific Time, Monday-Saturday

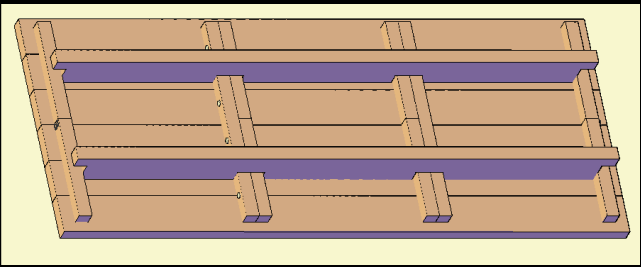
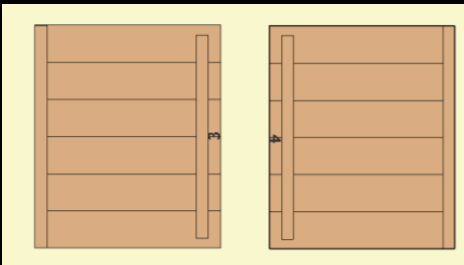
Assembly Instructions for: **MAYNARD WOODEN TABLES**



Thank you for purchasing Forever Redwood patio furniture. Forever Redwood is built by Old-Growth Again Restoration Forestry (OGA). OGA is dedicated to restoration forestry. Sales of patio furniture finance our restoration work in California redwood forestlands.

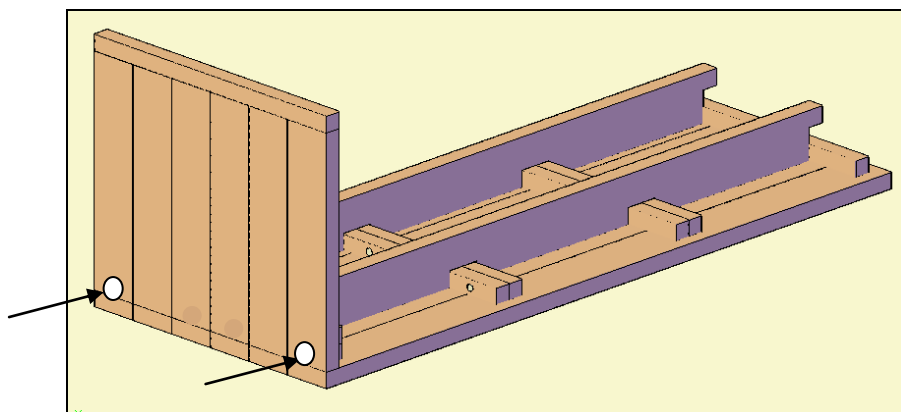
Tools required: ½-inch ratchet and a mallet or small hammer.

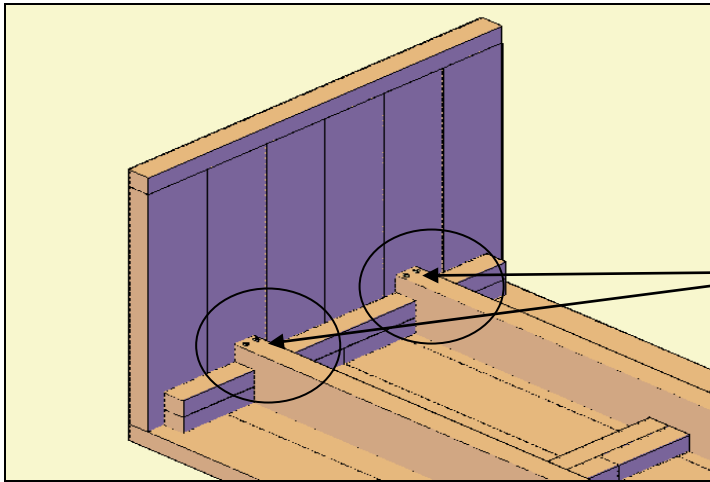
Boxes Content:

Quantity	Description	Drawing
1	Tabletop	
2	Legs	
4	3 ½" x 5/16" Carriage Bolts, Washers and Nuts	
8	8" x 3" Deck Screws	

The parts that go together have the same numbers written next to the predrilled holes they attach to. Align the parts with the numbers as shown for ease of reference.

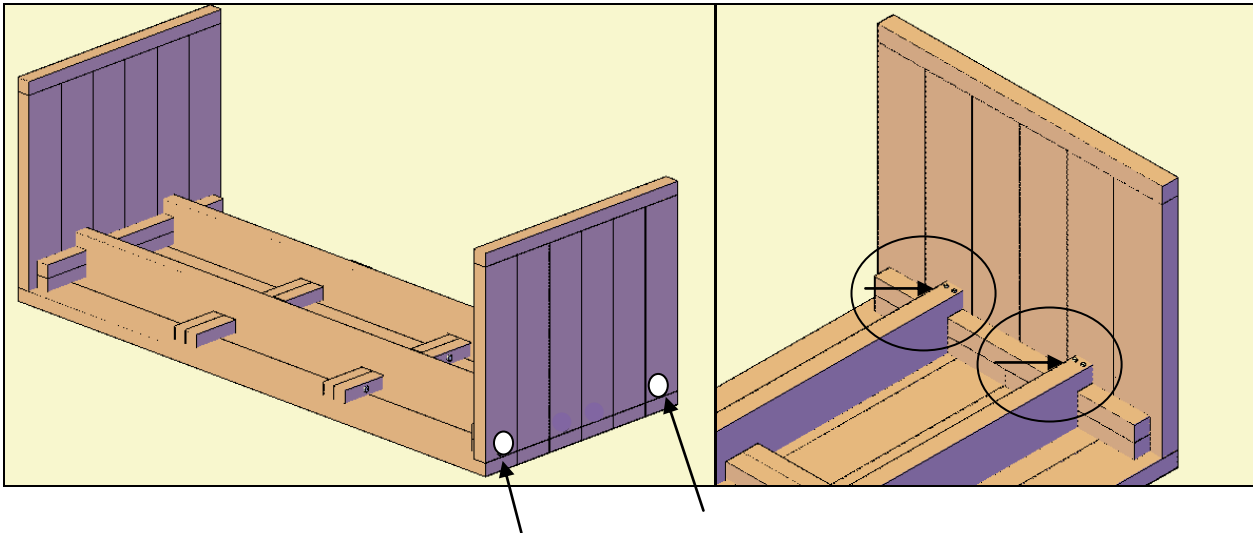
Step 1: Place the tabletop on a soft surface upside down. Attach one leg to tabletop, with 2 carriage bolts (3 ½" x 5/16"), washers & nuts. Match the numbers written next to the predrilled holes on both pieces. Tap the bolt all the way into the wood to set it. Then add a washer and nut and lightly tighten.





To reinforce leg to tabletop. Add 4 deck screws (8" x 3), at a 45 degree angle as shown.

Step 2: Repeat step 1 to attach the other leg to the other side of the tabletop.



Carefully turn the table around. Be careful not to place all the weight of the table on one leg – the table is very heavy and can damage the point where the leg attaches if too much stress is placed on that point.

Thank you. If you have any questions, please call or email us.