



# FOREVER REDWOOD

*From the Forest, For the Forest since 1995*

---

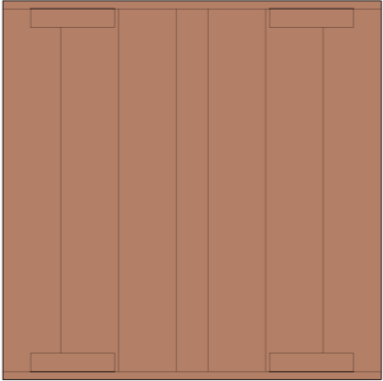
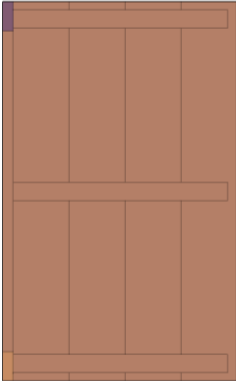
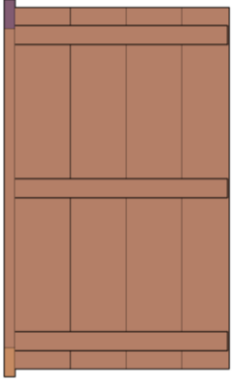
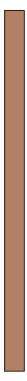
866.332.2403 (TOLL FREE); 7am – 7pm Pacific Time, Monday-Saturday

## ASSEMBLY INSTRUCTIONS FOR THE **MENDOCINO PLANTERS**





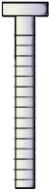

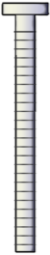
CONTENT OF BOXES

Qty.	Description	Drawing	No.
1	Floor		1
2	Long Fences		2
2	Short Fences		3
Quantity will vary.	Supports		4

**Note:** Part numbers in the Content of Boxes Table are for reference only. These do not match to the numbers marked on the parts sent.

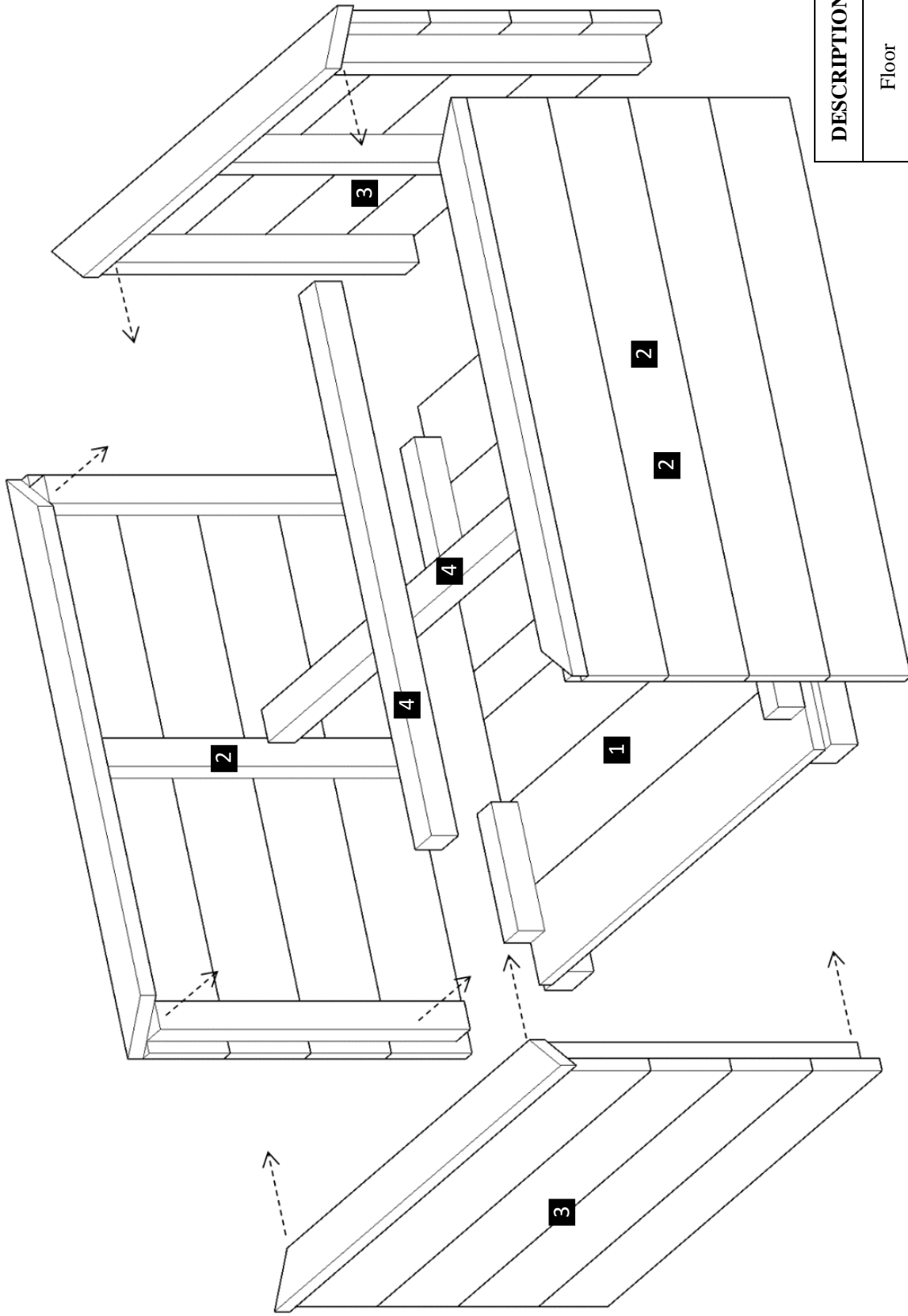


**HARDWARE LIST**

Description	Drawing	No.
5/16" X 3" Bolts (To attach the long fences to the floor. / To attach the short fences to the long fences).		A
3" Deck Screws (To attach the short fences to the long fences).		B
5/16" X 4" Bolts (To attach the supports to the fences).		C

**Note:** Dimensions of your hardware will vary depending on size.

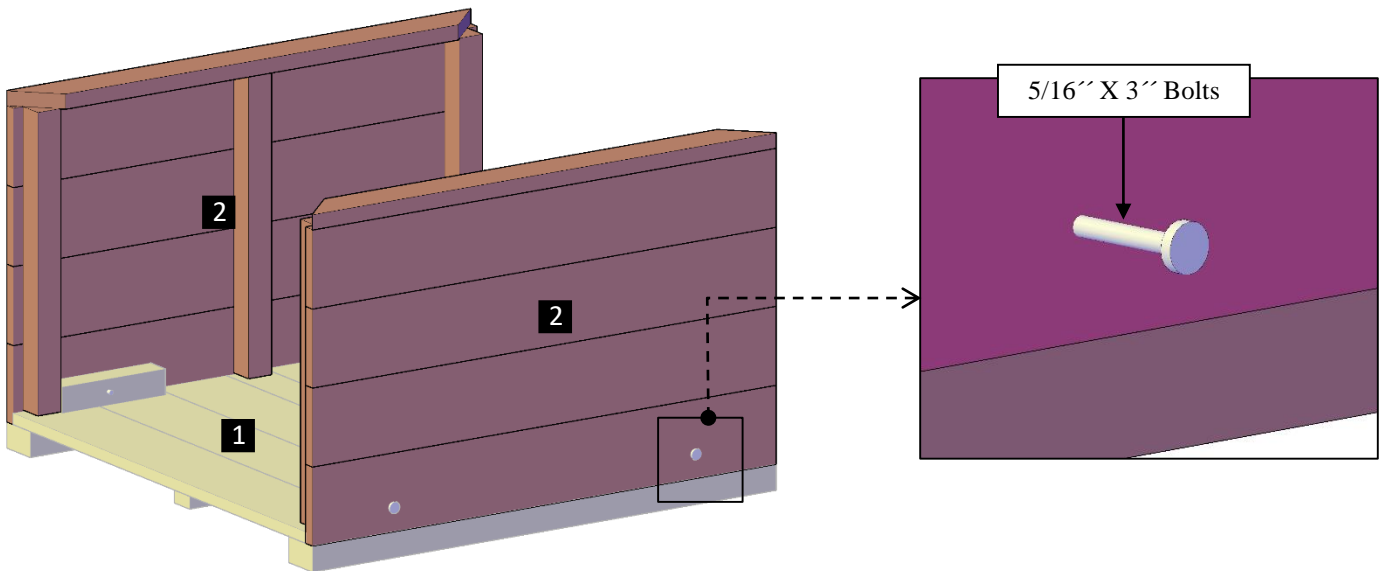




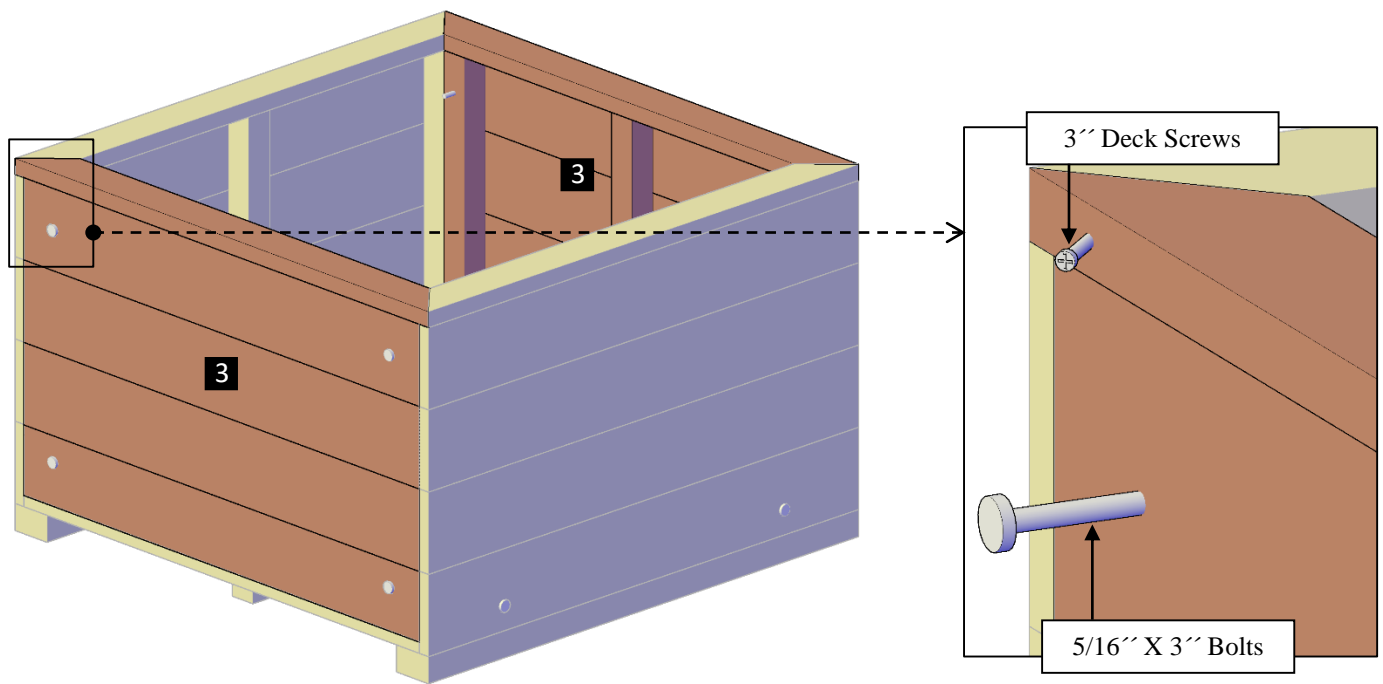
DESCRIPTION	No
Floor	1
Long Fences	2
Short Fences	3
Supports	4

**Note:** Part numbers in the Drawing are for reference only. These do not match to the numbers marked on the parts sent.

**Step 1:** Use 5/16" x 3" bolts (A) to attach the long fences (2) to the floor (1). Each part has a series of numbers that indicate where to attach the part with the corresponding number.

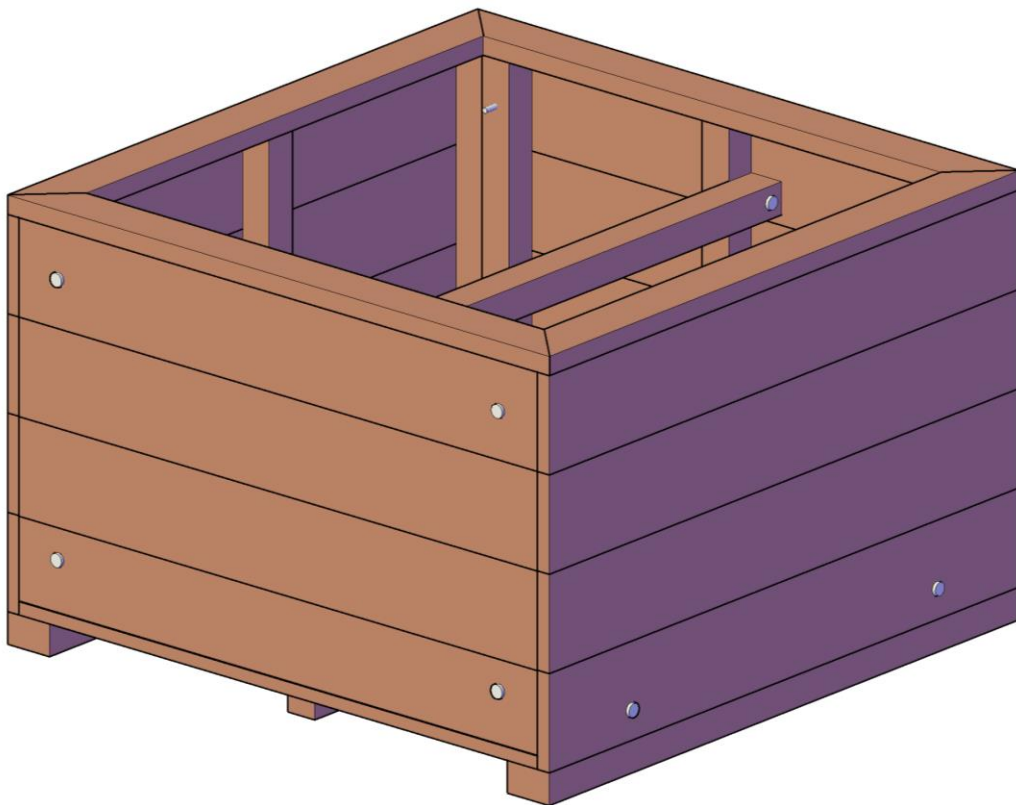
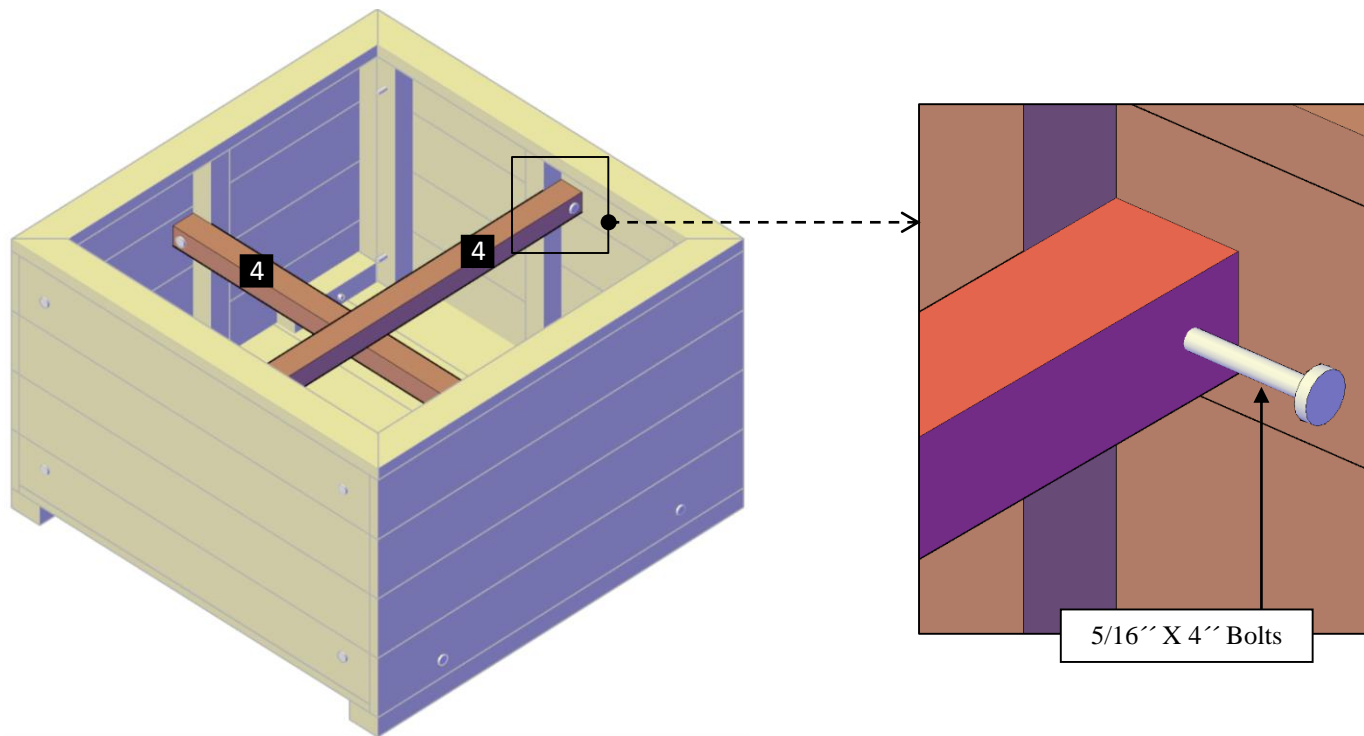


**Step 2:** Attach the short fences (3) to the long fences with 5/16" x 3" bolts (A) and 3" deck screws (B). Each part has a series of numbers that indicate where to attach the part with the corresponding number.



If your Mendocino Planter includes supports, then follow this instruction.

**Step 3:** Finally, use 5/16" x 4" bolts (C) to attach the supports (4) to the fences. Each part has a series of numbers that indicate where to attach the part with the corresponding number.





*This completes the Planter assembly. Hope you enjoy your set for many decades. If you ever have a problem or a question, don't hesitate to call us (866 332 2403) or email us. We are here to support you.*