
866.332.2403 (Toll Free); 7am-7pm Pacific Time, Monday-Saturday

Assembly instructions for: **PATIO SHOWER BENCHES**



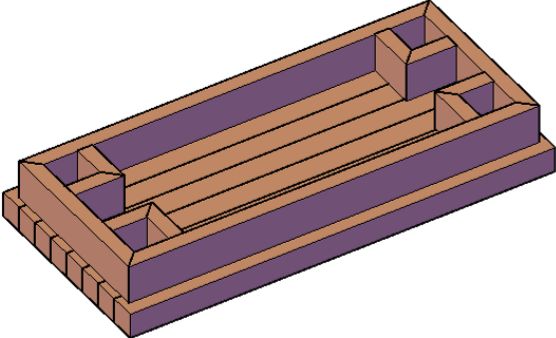
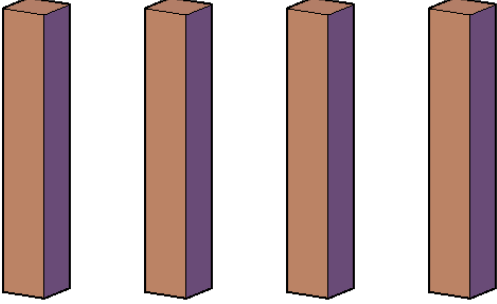
Thank you for purchasing Forever Redwood patio furniture. Forever Redwood is built by Old-Growth Again Restoration Forestry (OGA). OGA is dedicated to restoration forestry. Sales of patio furniture finance our restoration work in California redwood forestlands.

Tools required: ½-inch ratchet, a squarehead screwdriver and a mallet or small hammer.

Your furniture was fully assembled in the shop prior to being disassembled for shipping. All the parts fit. The parts that go together have the same numbers written next to the predrilled holes they attach to. Please take the time to align the parts with the numbers. If you are forcing a bolt in, the part may be turned around or not aligned properly. Tap the bolt all the way into the wood to set it, then add a washer and lightly tighten. Don't over tighten or you will crush the redwood.

Number of boxes: 1

Box 1 of 2:

<u>Quantity</u>	<u>Description</u>	<u>Drawing</u>
8	Bolts 3 ½" x 5/16", Washers and Nuts	N/A
1	Seat	
4	Legs	

STEP 1:

Attach legs to bench seat with 2 bolts (3 1/2" x 5/16"), washers & nuts. Bench seat upside down, you will see that the boards nearest the bench edge have two pre-drilled holes. Line up these holes with the holes on the top of the bench legs.

The legs are not interchangeable from side to side. The legs and the bench seat boards are marked with matching numbers. Match up the numbers to each corresponding side. Align the predrilled holes, tap the bolt all the way in to set it into the wood and then add a washer and tighten the nut. Make sure you are attaching the correct side – if the bolts do not line up, just move the leg over to the other side of the bench seat. The bolts should tap into their hole. If you are using force, the leg probably belongs on the other end of the bench seat. Do not over tighten the bolts or you'll crush through the redwood and weaken the bench.

Repeat this step with the other leg.

