



FOREVER I REDWOOD

From the Forest, For the Forest since 1995

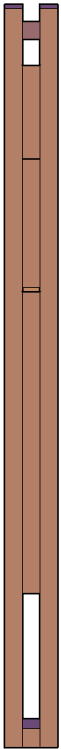
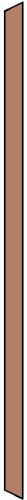
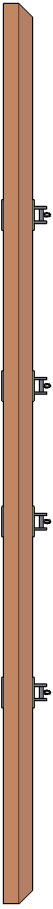
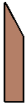
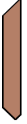

866.332.2403 (TOLL FREE); 7am – 7pm Pacific Time, Monday-Saturday

ASSEMBLY INSTRUCTIONS FOR THE RORY'S BIG PLAYGROUND SWING SETS



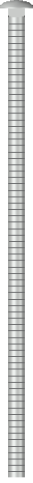
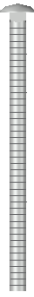

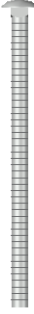





CONTENT OF BOXES

Qty.	Description	Drawing	No.
2	Frame Legs		1
2	Lower Main Support		2
1	Main Structural Timber		3
4	Connector Timbers		4
2	Knee Braces		5
3	Wooden Seats		6

Note: Part numbers in the Content of Boxes Table are for reference only. These do not match to the numbers marked on the parts sent.

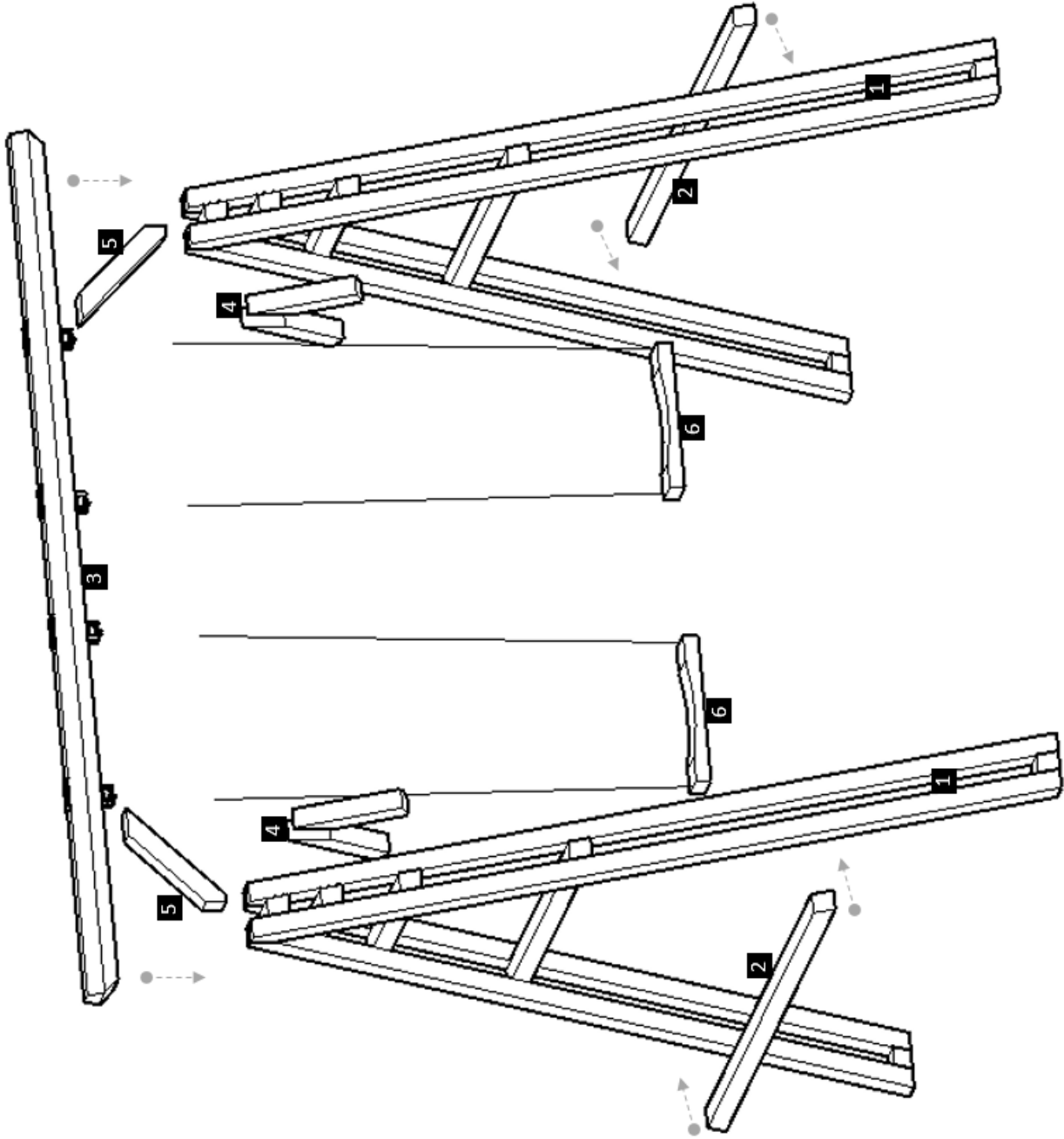
HARDWARE LIST

Description	Drawing	No.
<p>3/8" x 11" Bolts (To attach the frame legs / To attach the frame legs to the main structural timber).</p>		A
<p>3/8" x 6 1/2" Bolts (To attach the frame legs).</p>		B
<p>3/8" X 12" Bolts (To attach the main structural timber to the frame legs).</p>		C
<p>3/8" X 7" Bolts (To attach the connectors timbers and the knee braces to the frame legs).</p>		D
<p>3/8" x 10" Bolts (To attach the knee braces to the main structural timber).</p>		E
<p>Chains (To wooden seats and hangers)</p>		F
<p>Quick Links (To hangers, wooden seats and chains)</p>		G

Note: Dimensions of your hardware will vary depending on size.



DESCRIPTION	No
Frame Legs	1
Lower Main Support	2
Main Structural Timber	3
Connector Timbers	4
Knee Braces	5
Wooden Seats	6

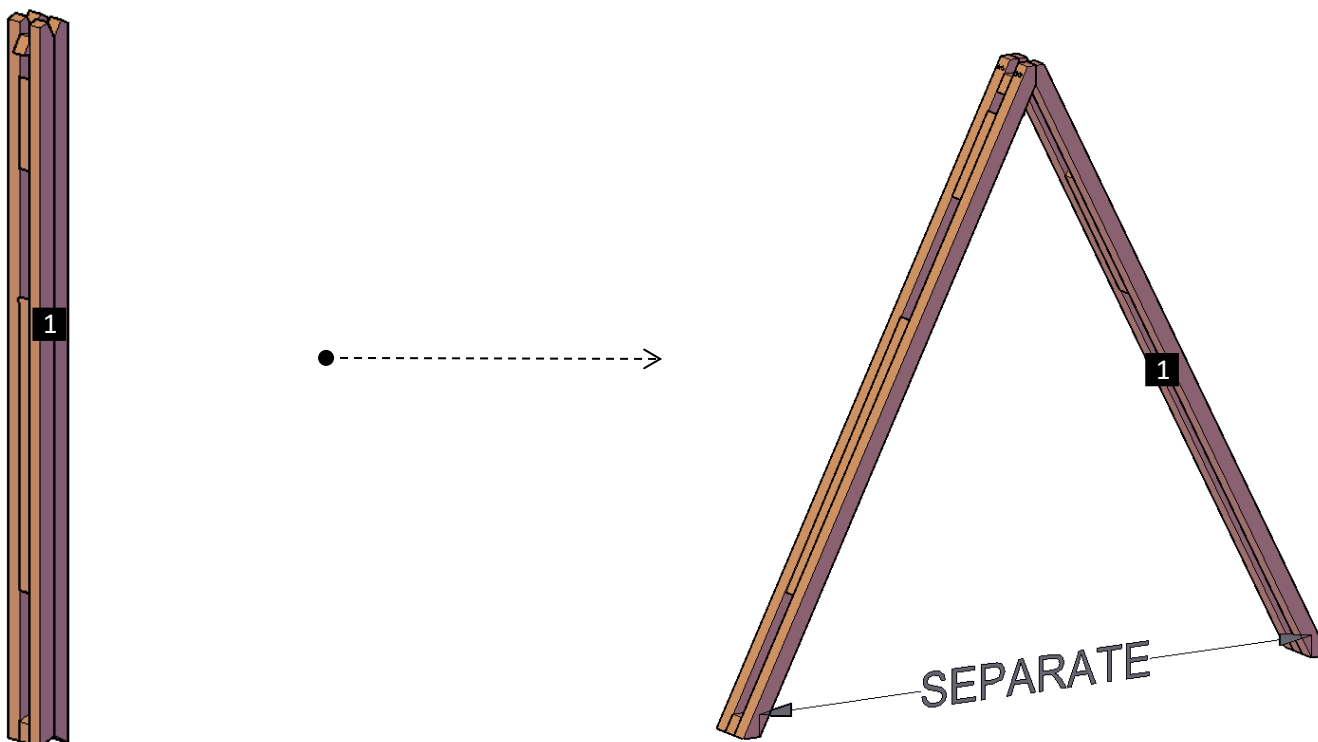


Note: Part numbers in the Drawing are for reference only. These do not match to the numbers marked on the parts sent.

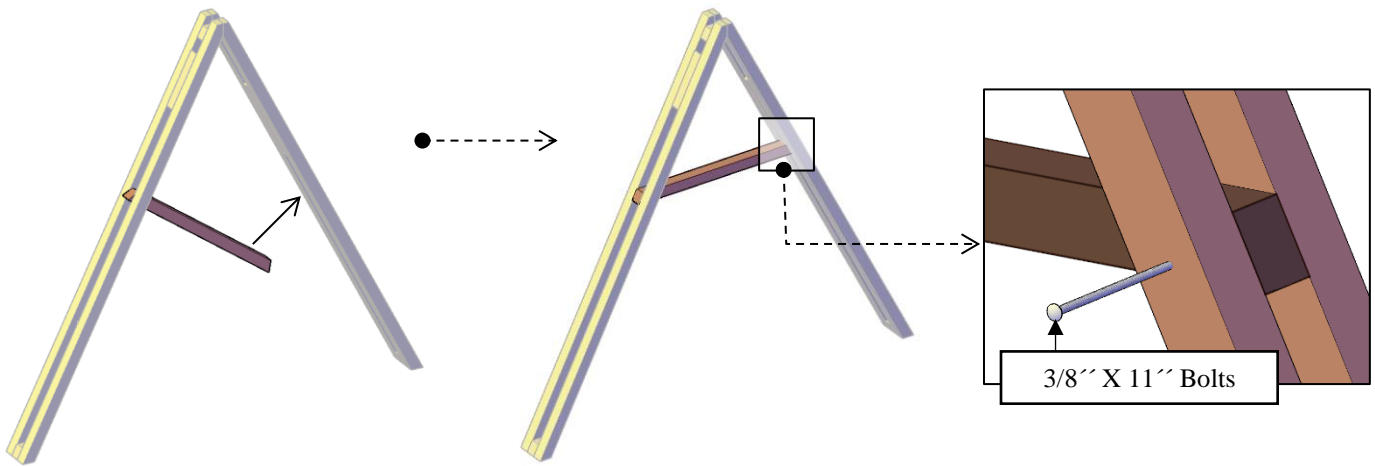
Note: The structure must be assembled on its side, as shown.



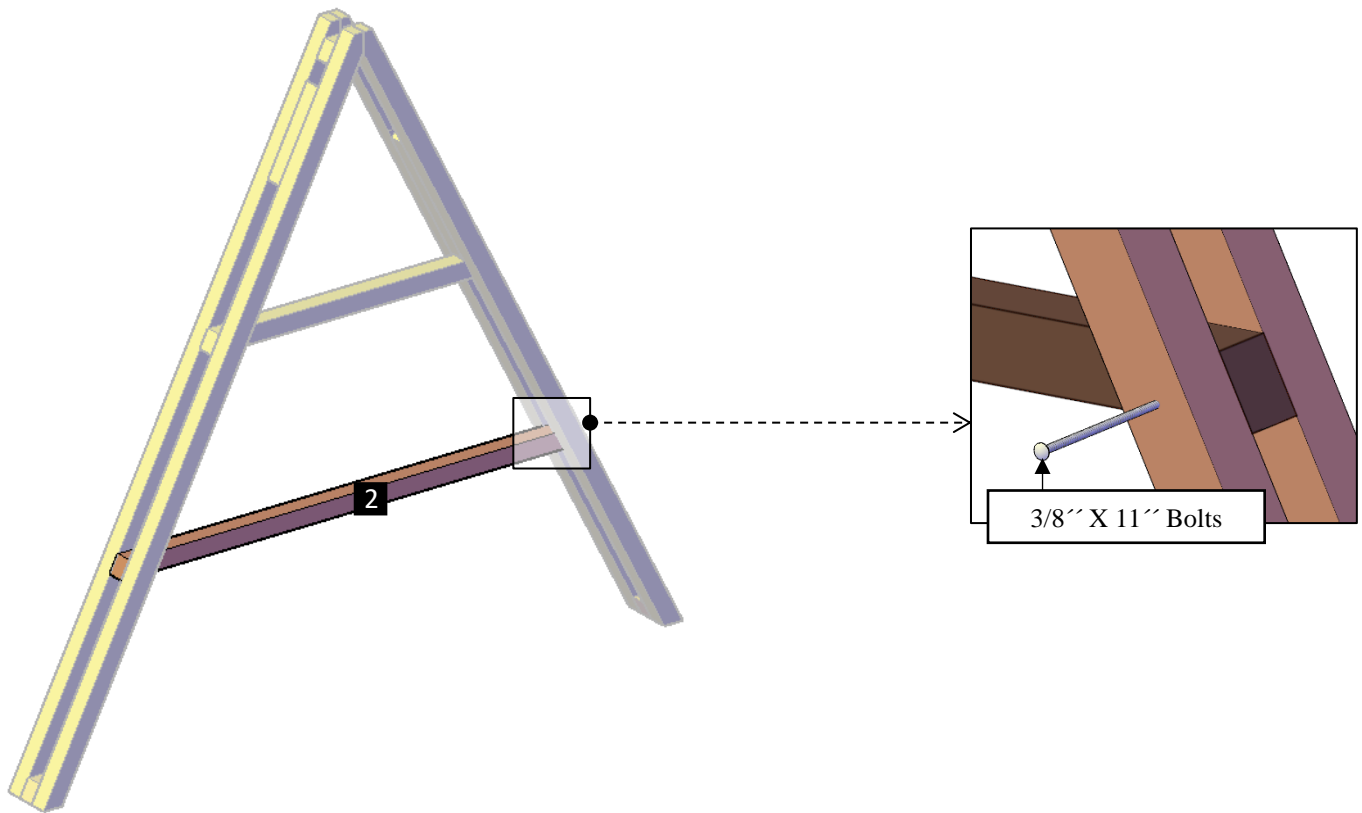
Step 1: Open the frame legs (1) as shown.



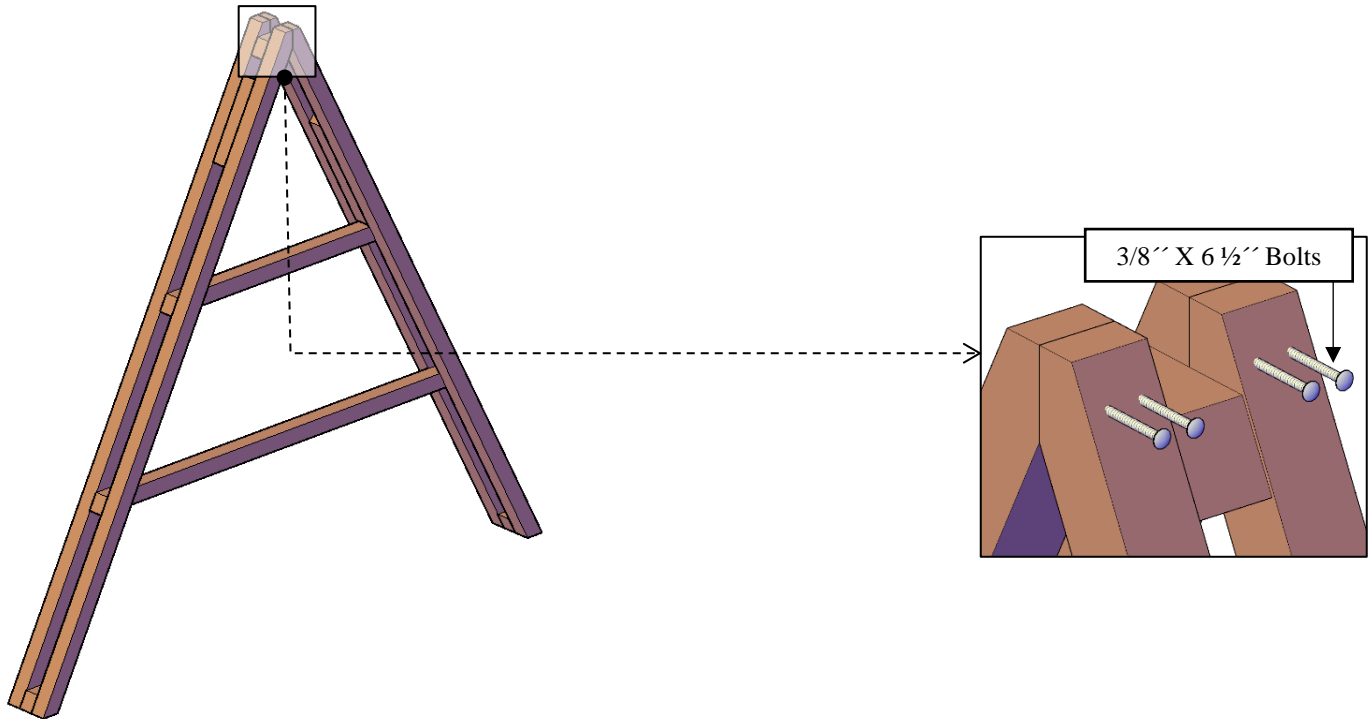
Step 2: Pull out the cross support and line up to match the predrilled hole. After that, use 3/8" X 11" Bolts (A) with washer and nut to secure in place.



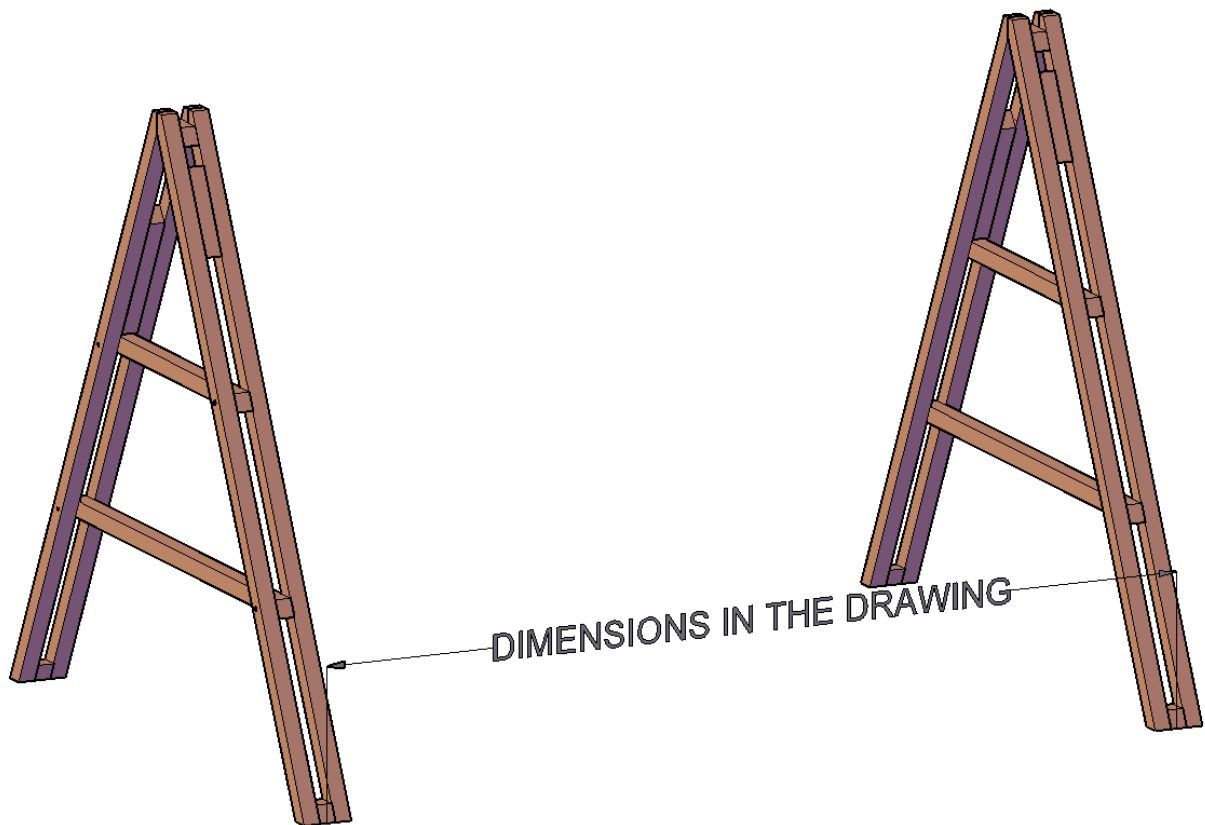
Step 3: Use 3/8" X 11" Bolts (A) with washer and nut to attach the lower main support (2) to the frame legs. Each part has a series of numbers that indicate where to attach the part with the corresponding number.



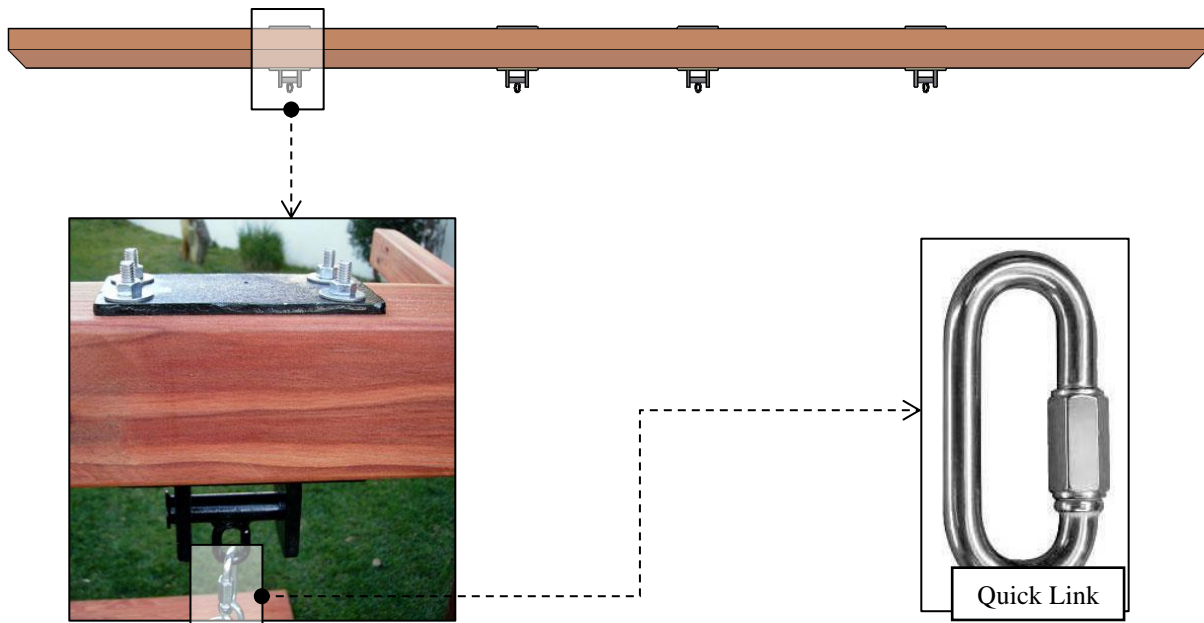
Step 4: Put the 3/8" x 6 1/2" bolts (B) with washer and nut as shown.



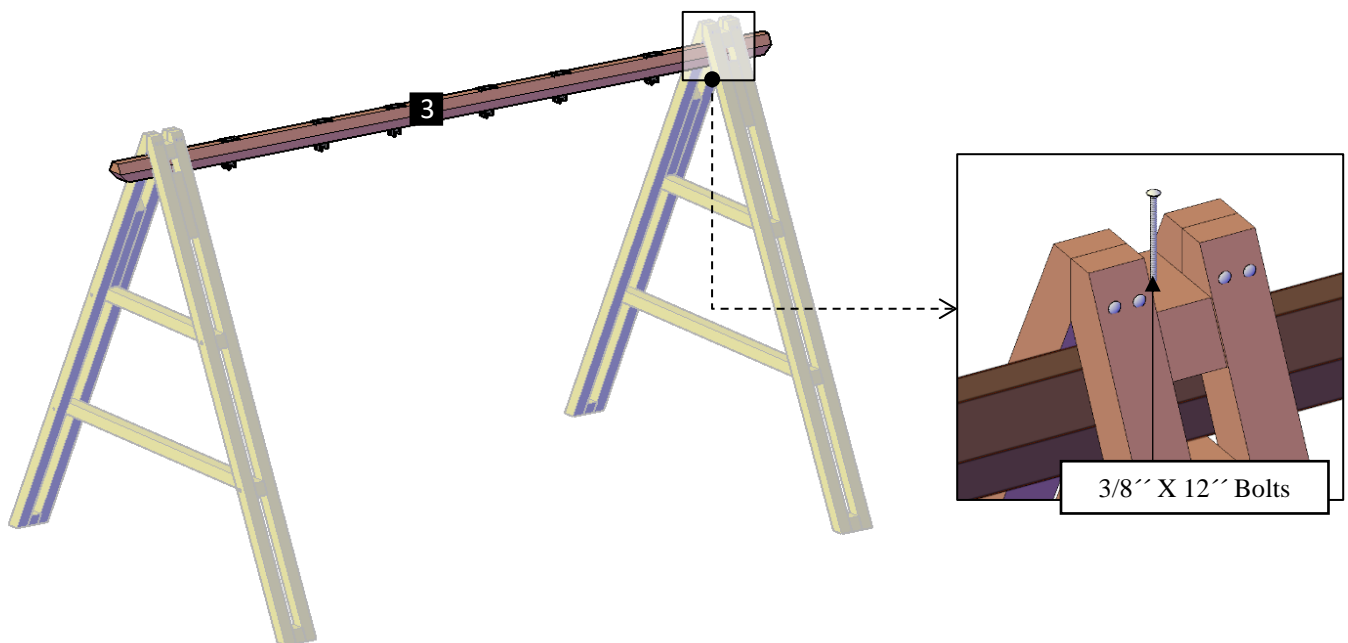
Step 5: Place the frame legs in their site.



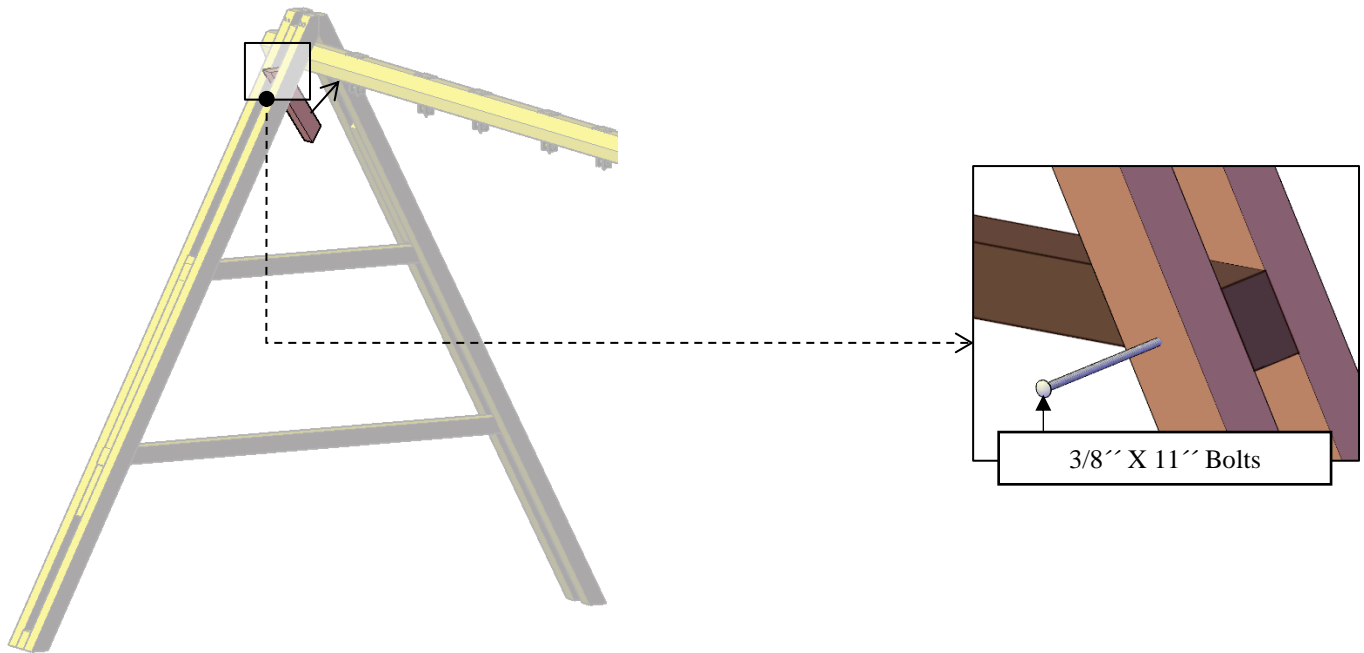
Step 6: Put the Quick Links (G) in the hangers. After that, put the chains (F). Take a few minutes to adjust the chain height to your preference.



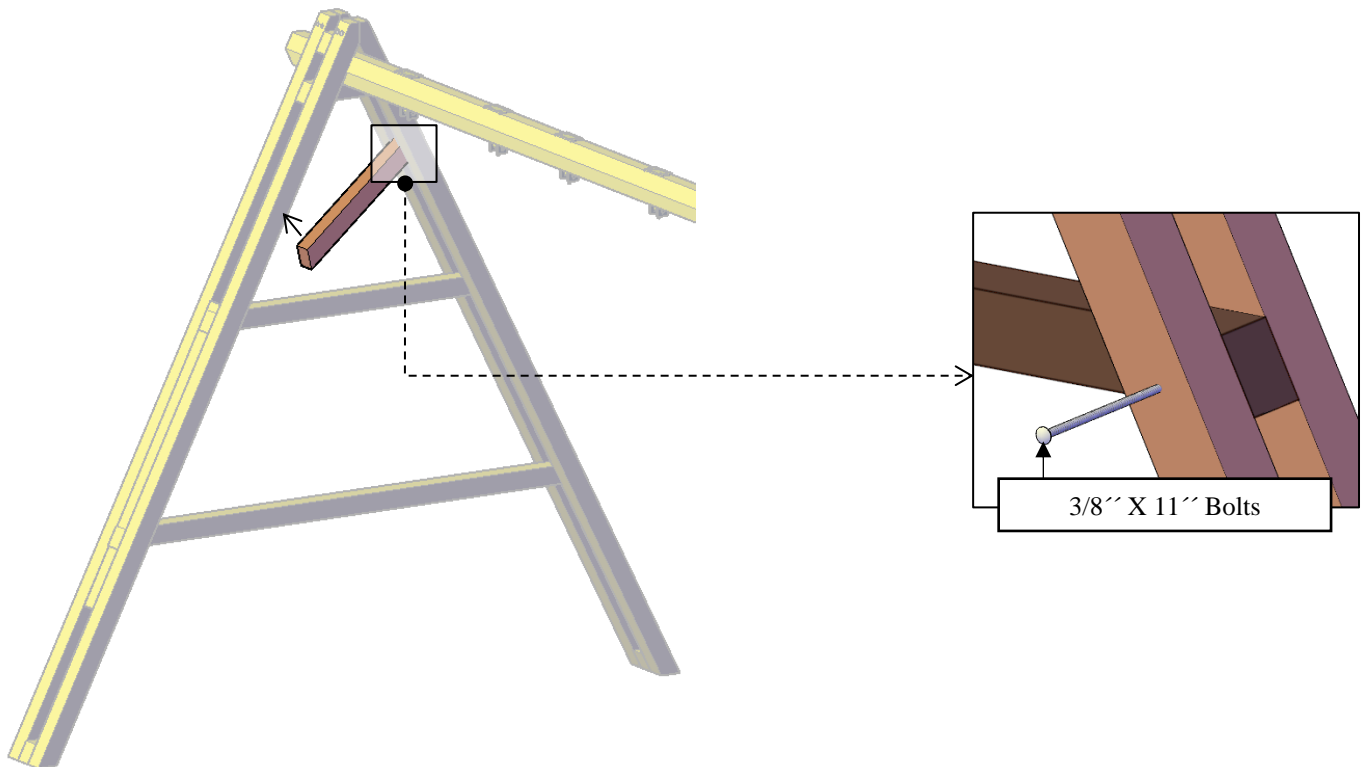
Step 7: Attach the main structural timber (3) to the frames legs with 3/8" X 12" bolts (C) with washer and nut. Each part has a series of numbers that indicate where to attach the part with the corresponding number.



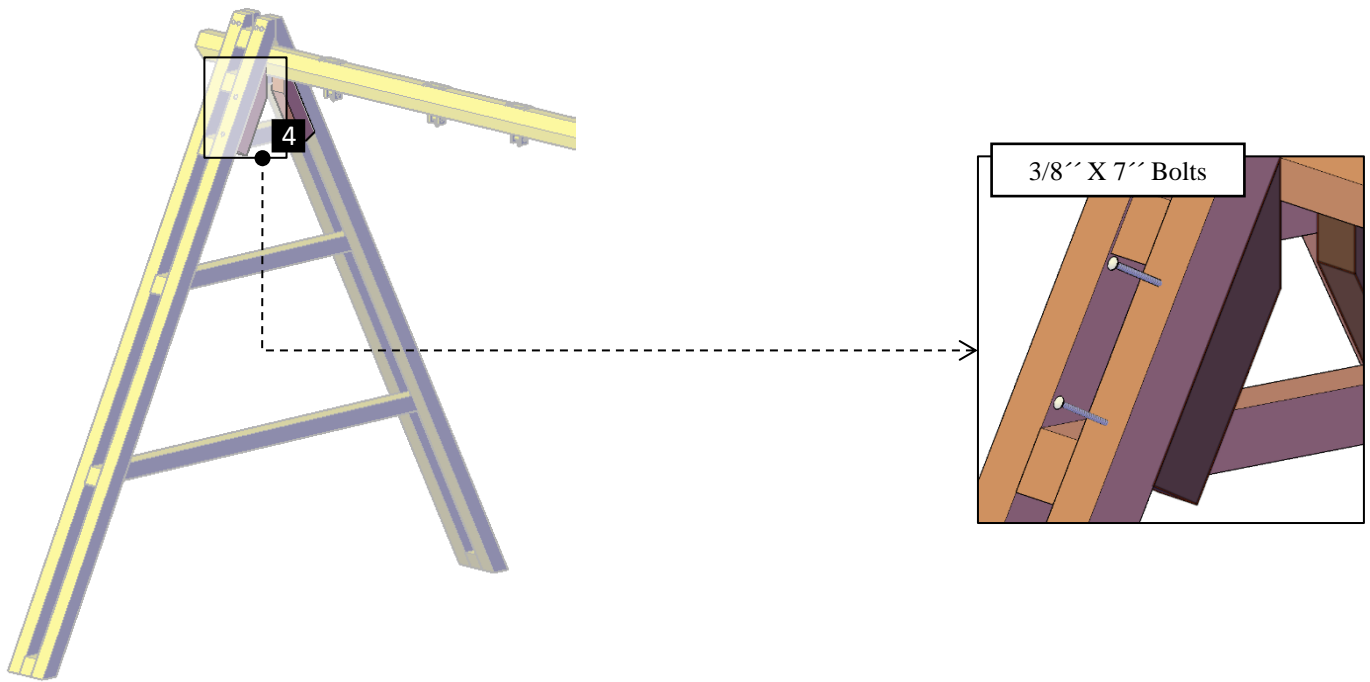
Step 8: Pull out the first cross supports and line up to match the predrilled hole. After that, use 3/8" X 11" Bolts (A) with washer and nut to attach.



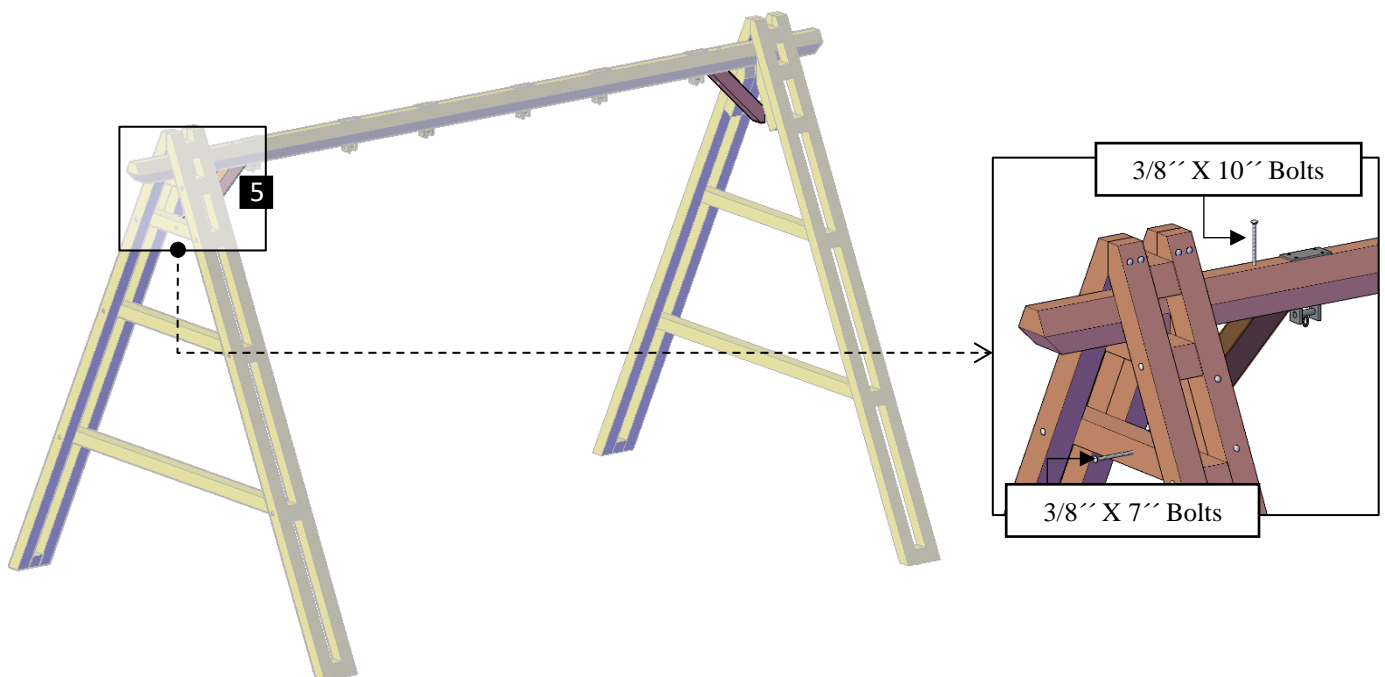
Step 9: Pull out the second Sets cross supports and line up to match the predrilled hole. After that, use 3/8" X 11" Bolts (A) with washer and nut to attach.



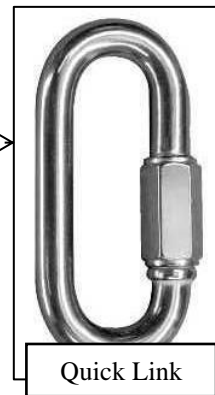
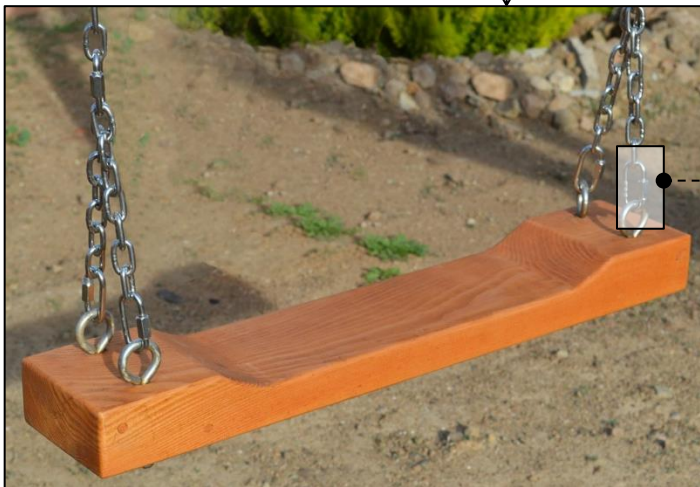
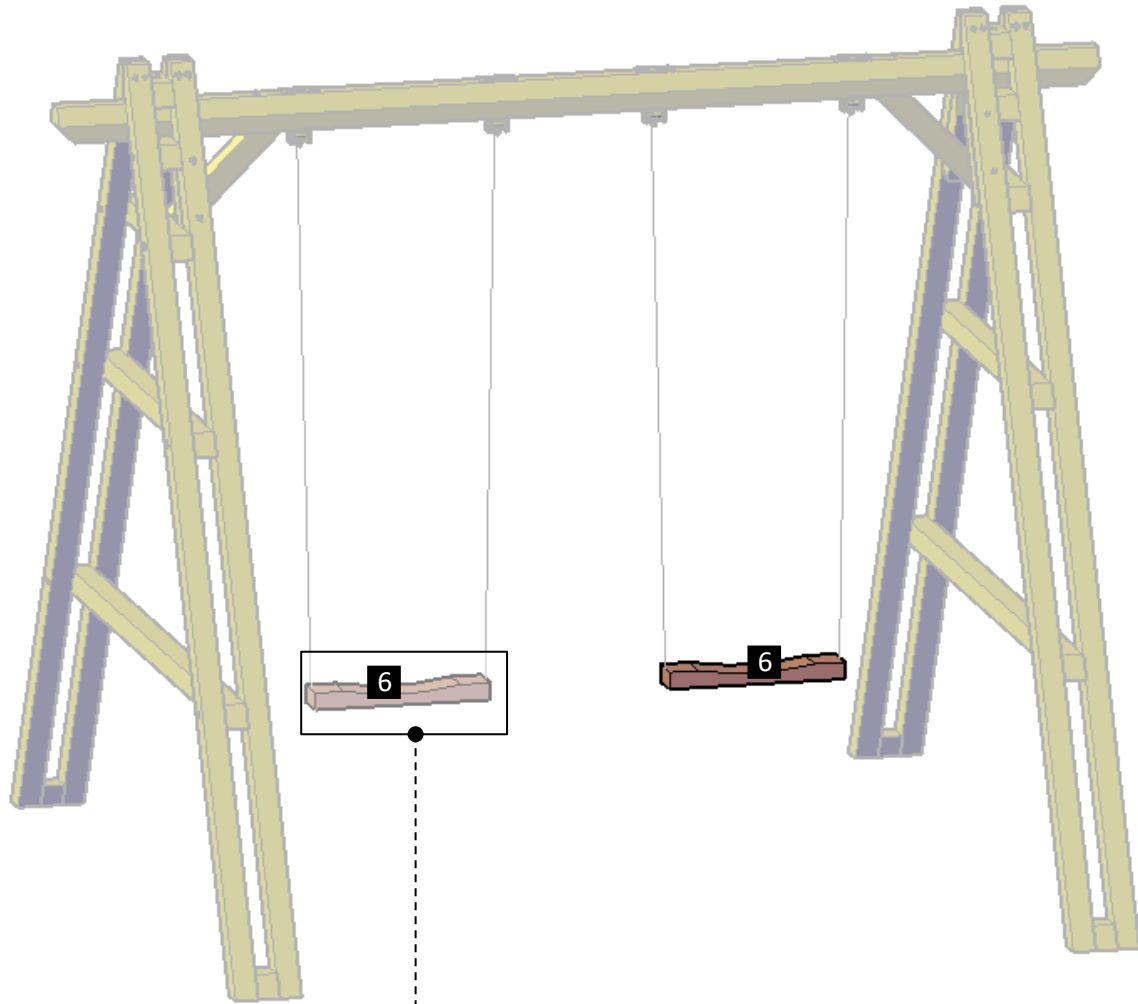
Step 10: Attach the connector timbers (4) to reinforce the connection between the frame legs and the main structural timber. Use 3/8" x 7" bolts (D) with washer and nut to attach. Each part has a series of numbers that indicate where to attach the part with the corresponding number.



Step 11: Attach the knee braces (5) to the main structural timber with 3/8" x 10" bolts (E) and to the frame legs with 3/8" x 7" bolts (D). Don't forget washers and nuts. Each part has a series of numbers that indicate where to attach the part with the corresponding number.



Step 12: Use quick links (G) to join the wooden seats to the chains (F).



Step 13: Finally, with a couple of people helping, turn the swing right side up.



This completes the Playground Swing Set assembly. Hope you enjoy your set for many decades. If you ever have a problem or a question, don't hesitate to call us (866 332 2403) or email us. We are here to support you.