

Assembly instructions for: **TRADITIONAL STORAGE BENCHES**



Number of boxes: 2

Box 1 of 2:

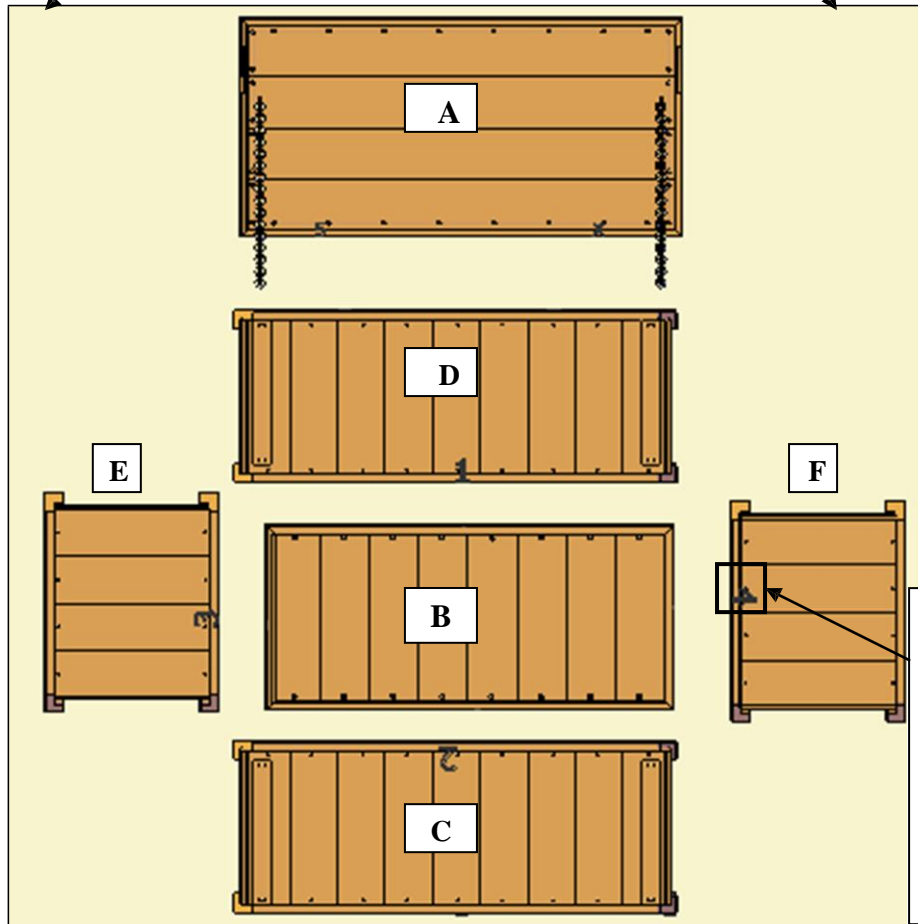
Quantity	Description	Drawing
8	Bolts 3 x 5/16, Washers & nuts	
4	Bolts 4 1/2 x 5/16 Washers & nuts	
2	Hinges 2 x 2, Screws	
2	Seat (A) & base (B)	

Box 2 of 2:

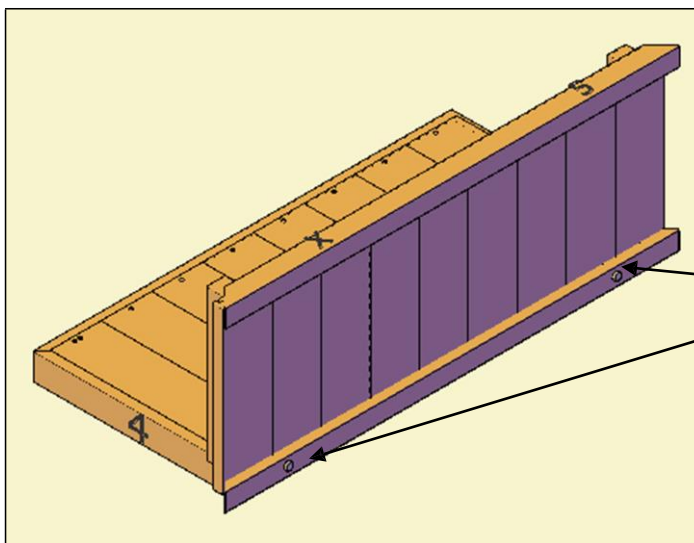
Quantity	Description	Drawing
2	Front wall (C) & rear wall (D)	
2	Left wall (E) & right wall (F)	

ASSEMBLY INSTRUCTIONS

CONTENT OF THE BOXES

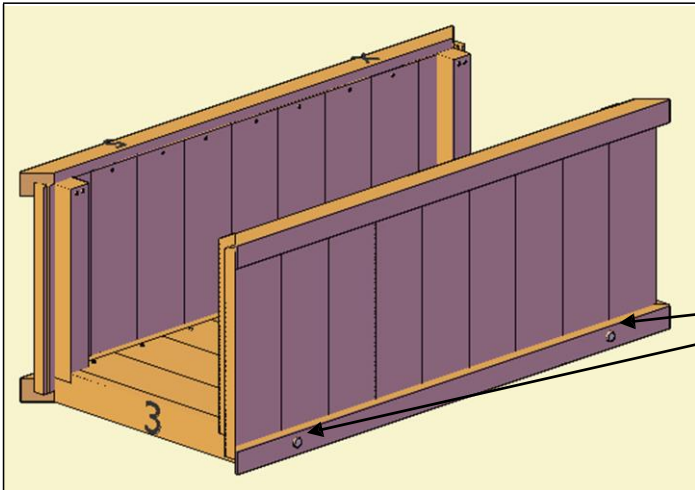
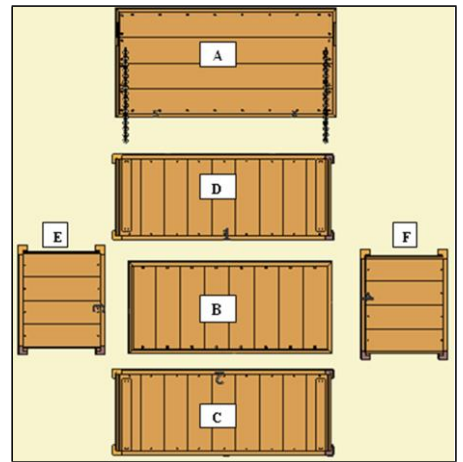


The parts that go together have the same numbers written next to the predrilled holes they attach to. Align the parts with the numbers as shown for ease of reference.



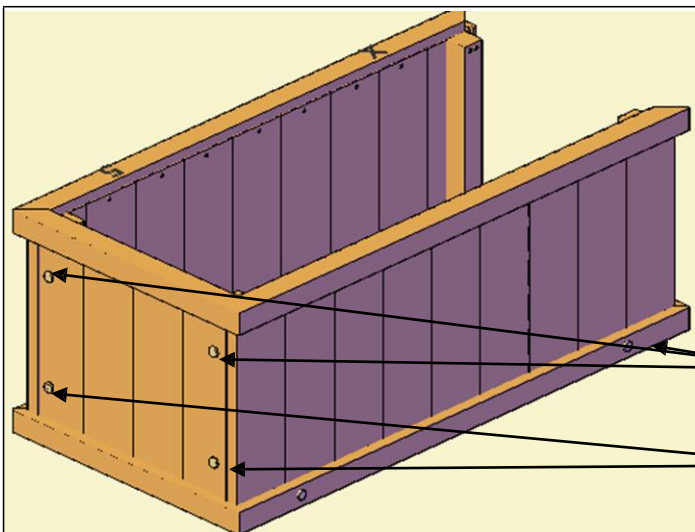
Step 1:

Attach part D (rear wall) to part B (base) with two bolts (4 ½ "x 5/16"), washers & nuts. (Holes number one into holes number one). Tap the bolt all the way into the wood to set it. Then add a washer and nut and lightly tighten.



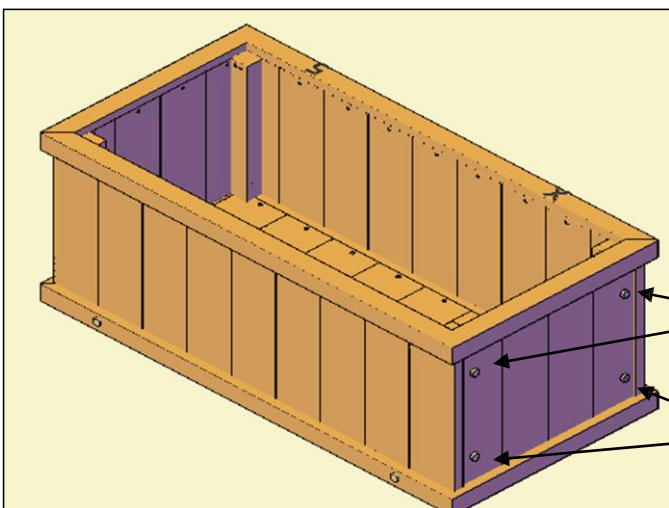
Step 2:

Attach part C (front wall) to part B (base) with two bolts (4 ½"x 5/16"), washers & nuts. (Holes number two into holes number two). Tap the bolt all the way into the wood to set it. Then add a washer and nut and lightly tighten.



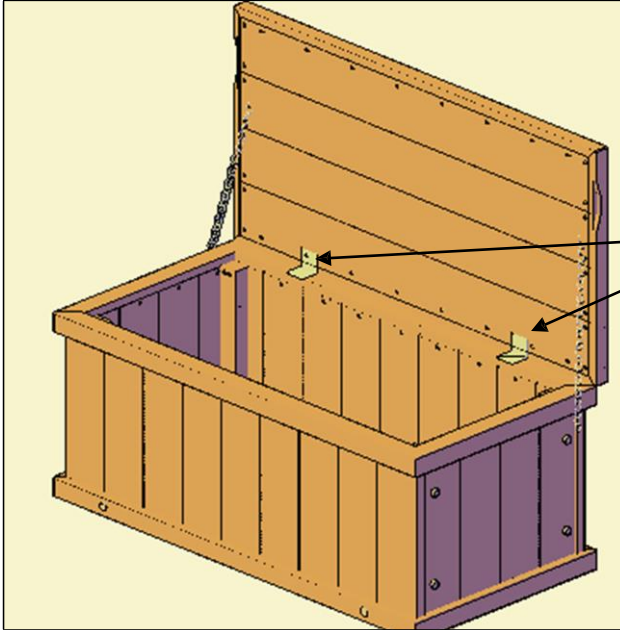
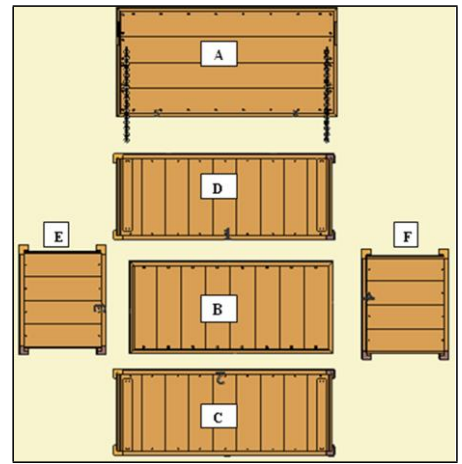
Step 3:

Attach part E (left wall) to part B (base) with four bolts (3"x 5/16"), washers & nuts. (Holes number three into holes number three). Tap the bolt all the way into the wood to set it. Then add a washer and nut and lightly tighten.



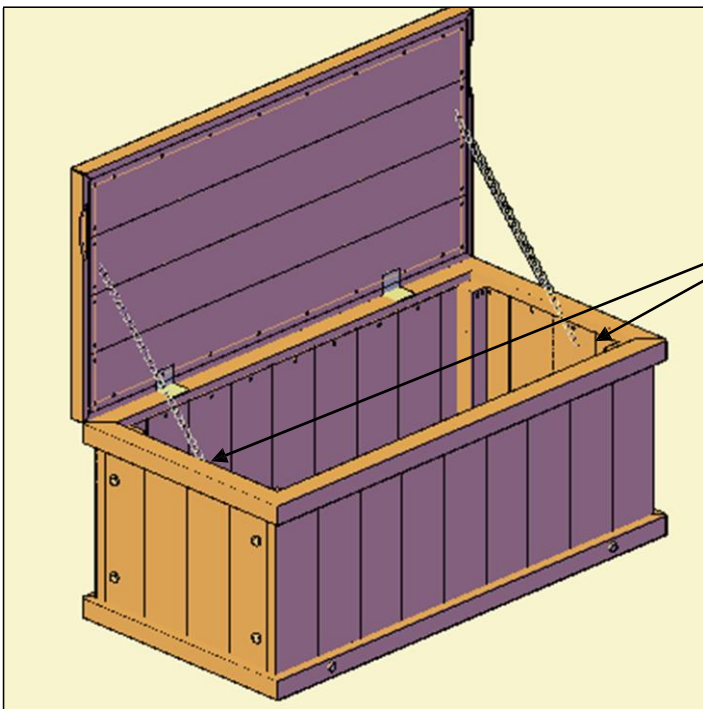
Step 4:

Attach part F (right wall) to part C & D (front wall & rear wall) with four bolts (3"x 5/16"), washers & nuts. (Holes number four into holes number four). Tap the bolt all the way into the wood to set it. Then add a washer and nut and lightly tighten.



Step 5:

Attach part A (seat) to part D (rear wall) with two hinges (2"x 2"), screws. (Holes number five & X).



Step 6:

Attach chains to part E & F (left wall & right wall).