
866.332.2403; Outside the US: 619.600.5630 7am-7pm Pacific Time, Monday-Saturday


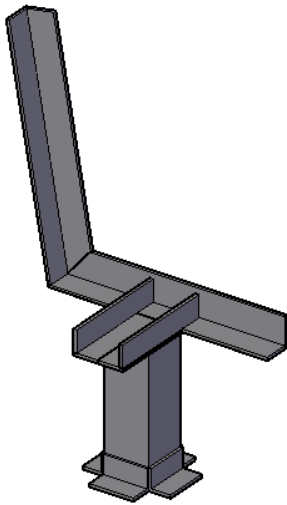
Assembly Instructions for: **VETERANS BENCHES**



Thank you for purchasing Forever Redwood patio furniture. Forever Redwood is built by Old-Growth Again Restoration Forestry (OGA). OGA is dedicated to restoration forestry. Sales of patio furniture finance our restoration work in California redwood forestlands.

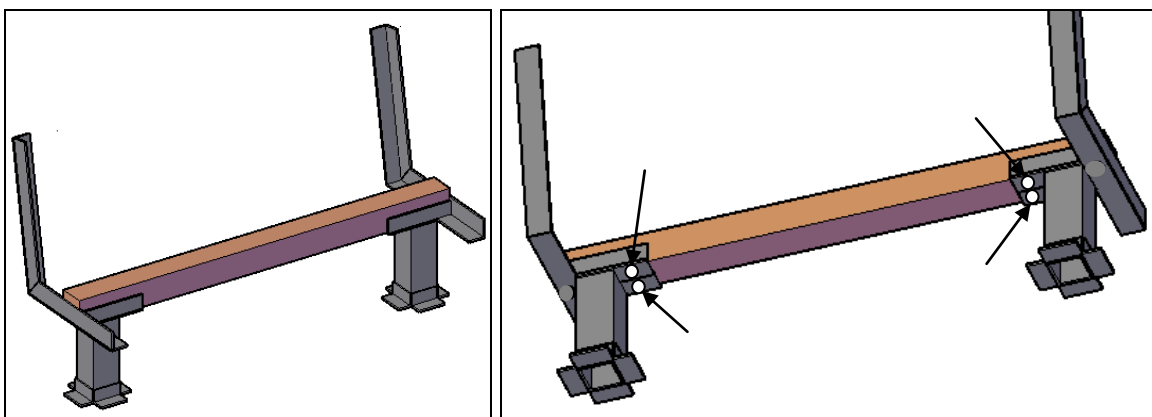
Tools required: ½-inch ratchet and a mallet or small hammer.

Boxes Content:

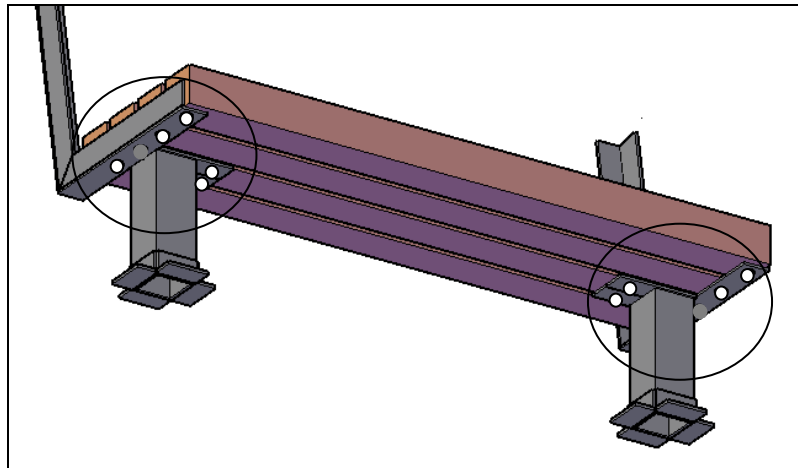
Quantity	Description	Drawing
7	Boards	
2	Legs	
16	3"x 5/16" Lag bolts	
8	3" x 3/8 Anchor Bolts (only if will be secured to existing flooring)	

Unpack your bench and make sure you have all the parts. The parts that go together have the same numbers written next to the predrilled holes they attach to. Align the parts with the numbers as shown for ease of reference.

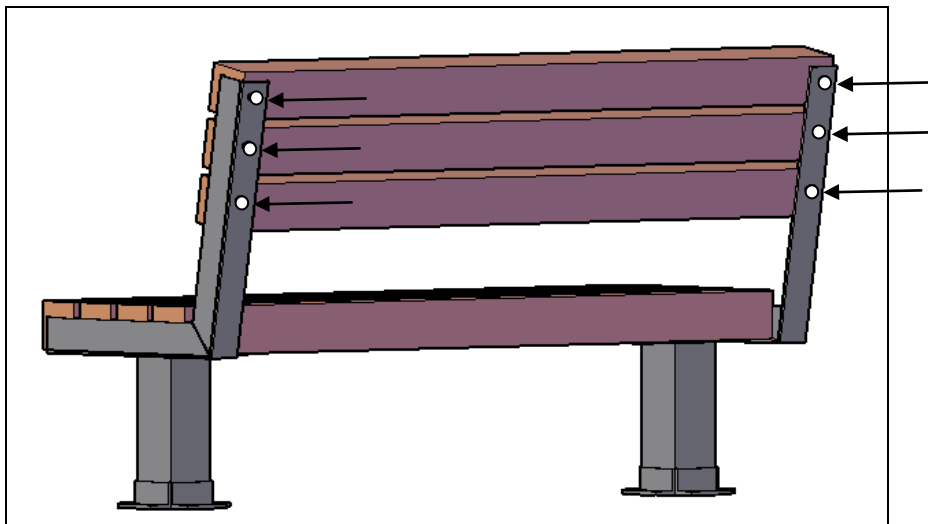
Step 1: Attach one board to both legs; with 2 lag bolts (3"x 5/16") per side before attach legs to the ground. Place this board on the rail.



Step 2: Attach the other 3 seat boards to the legs with 2 lag bolts (3"x 5/16") as shown below.



Step 3: Attach the 3 backrest boards to the legs with 2 lag bolts each one (3"x 5/16").



Step 4: Attach your bench to the ground. The metal framing can be ordered as shown to bury underground with concrete 18" deep or the bottom can be bolted to the ground in the alternative method shown with anchor bolts into an existing concrete floor.



Thank you. If you have any questions, please call or email us.