
866.332.2403 (Toll Free); 7am-7pm Pacific Time, Monday-Saturday

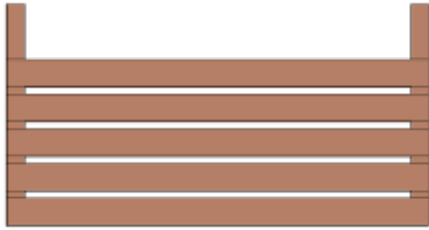
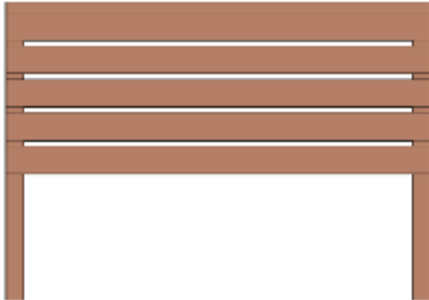
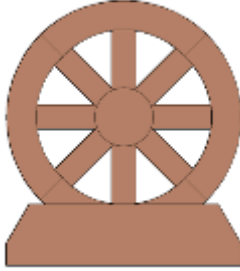
Assembly Instructions for: **WAGON WHEEL BENCHES**



Thank you for purchasing Forever Redwood patio furniture. Forever Redwood is built by Old-Growth Again Restoration Forestry (OGA). OGA is dedicated to restoration forestry. Sales of patio furniture finance our restoration work in California redwood forestlands.

Tools required: ½-inch ratchet and a mallet or small hammer.

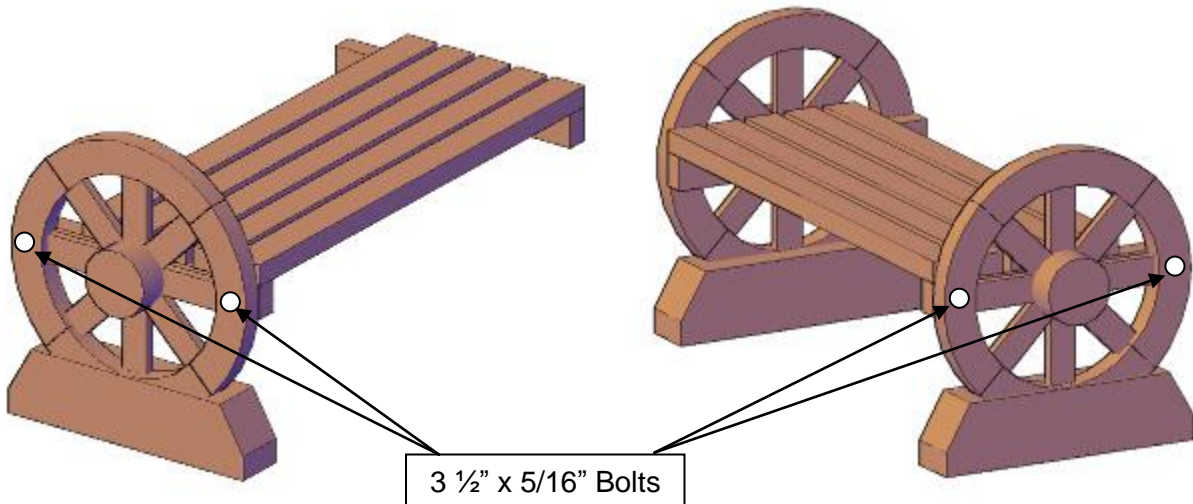
Boxes Content:

Quantity	Description	Drawing
1	Seat	
1	Backrest	
2	Sides	
2	Carriage bolts 3" x 5/16", Washers and Nuts	
6	Carriage bolts 3 ½" x 5/16", Washers and Nuts	

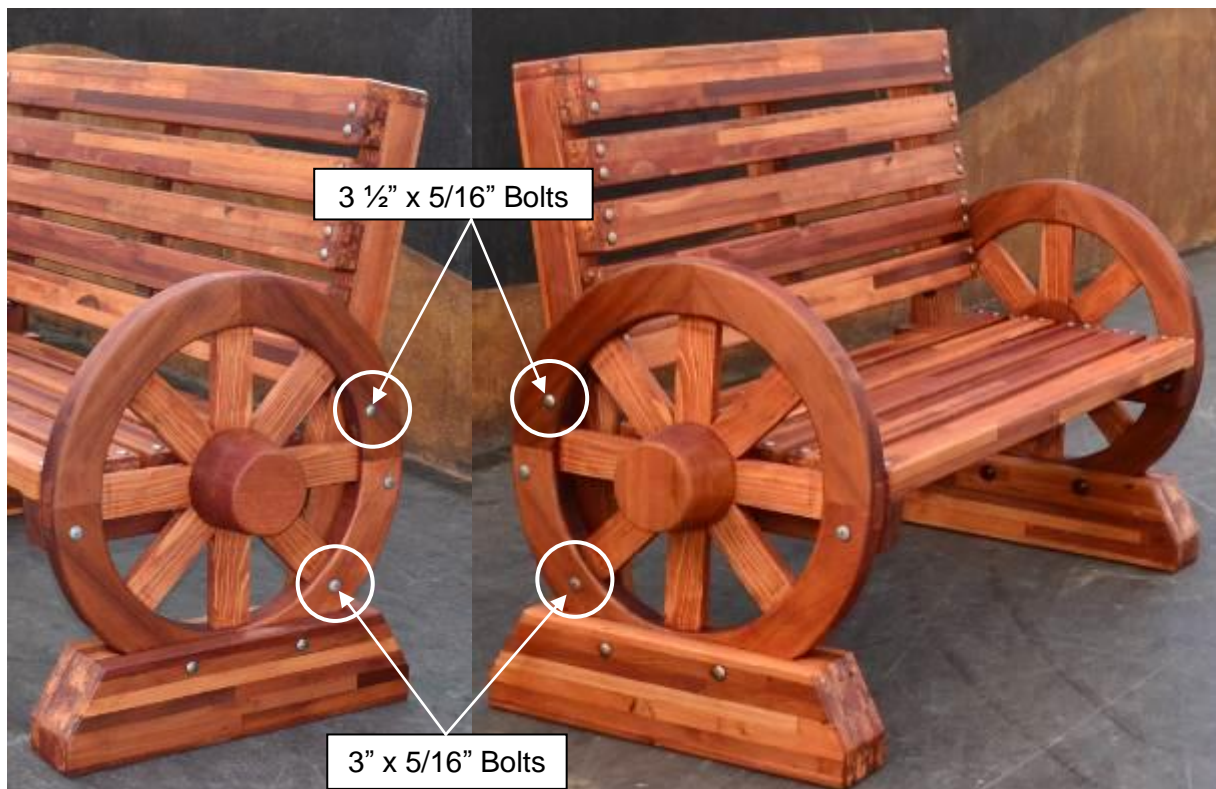
The parts that go together have the same numbers written next to the predrilled holes they attach to. Align the parts with the numbers as shown for ease of reference

Tools required: ½-inch ratchet and a mallet or small hammer.

Step 1: Attach sides to seat. You'll notice that seat has numbers next to the predrilled holes that corresponds to each side. Match the numbers and attach with two carriage bolts, washers and nuts per side. The bolts should tap into their holes. If you have to force a bolt, the leg is probably not oriented properly, is in the wrong hole or it is turned around. Make sure the bolts are tapped all the way into the wood, then add washers and nuts and tighten with a ½-inch ratchet. Do not over tighten or you'll crush the redwood and weaken the bridge's structure.



Step 2: Attach backrest to both sides with 2 carriage bolts, washers and nuts each.



Thank you. If you have any questions, please call or email us.