



FOREVER REDWOOD

From the Forest, For the Forest since 1995



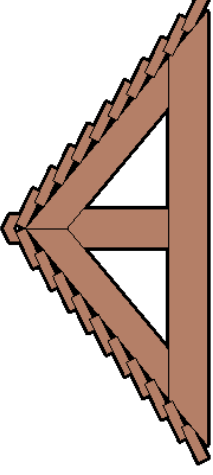

866.332.2403 (TOLL FREE); 7am – 7pm Pacific Time, Monday-Saturday

ASSEMBLY INSTRUCTIONS FOR THE WISHING WELLS





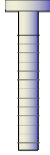
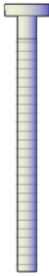
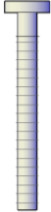

CONTENT OF BOXES

Qty.	Description	Drawing	No.
6	Walls		1
2	Posts		2
1	Roof		3
1	Handle		4

Note: Dimensions of your hardware will vary depending on size.

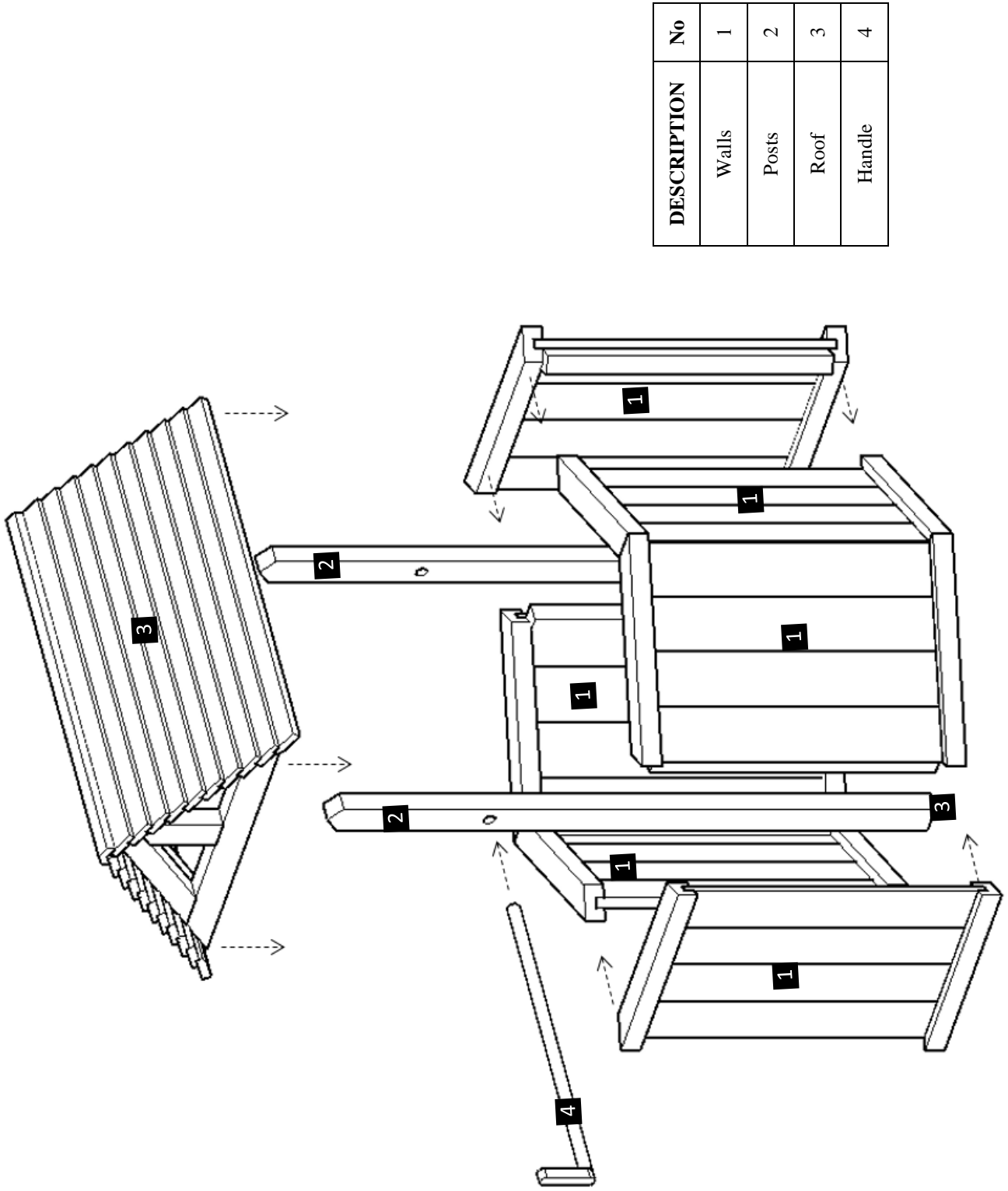


HARDWARE LIST

Description	Drawing	No.
5/16" X 2 1/2" Bolts (To attach the walls together).		A
5/16" X 4 1/2" Bolts (To attach the posts to the walls).		B
5/16" X 3 1/2" Bolts (To attach the roof to the posts).		C
3" Deck Screws (To attach the handle to the post).		D

Note: Part numbers in the Content of Boxes Table are for reference only. These do not match to the numbers marked on the parts sent.

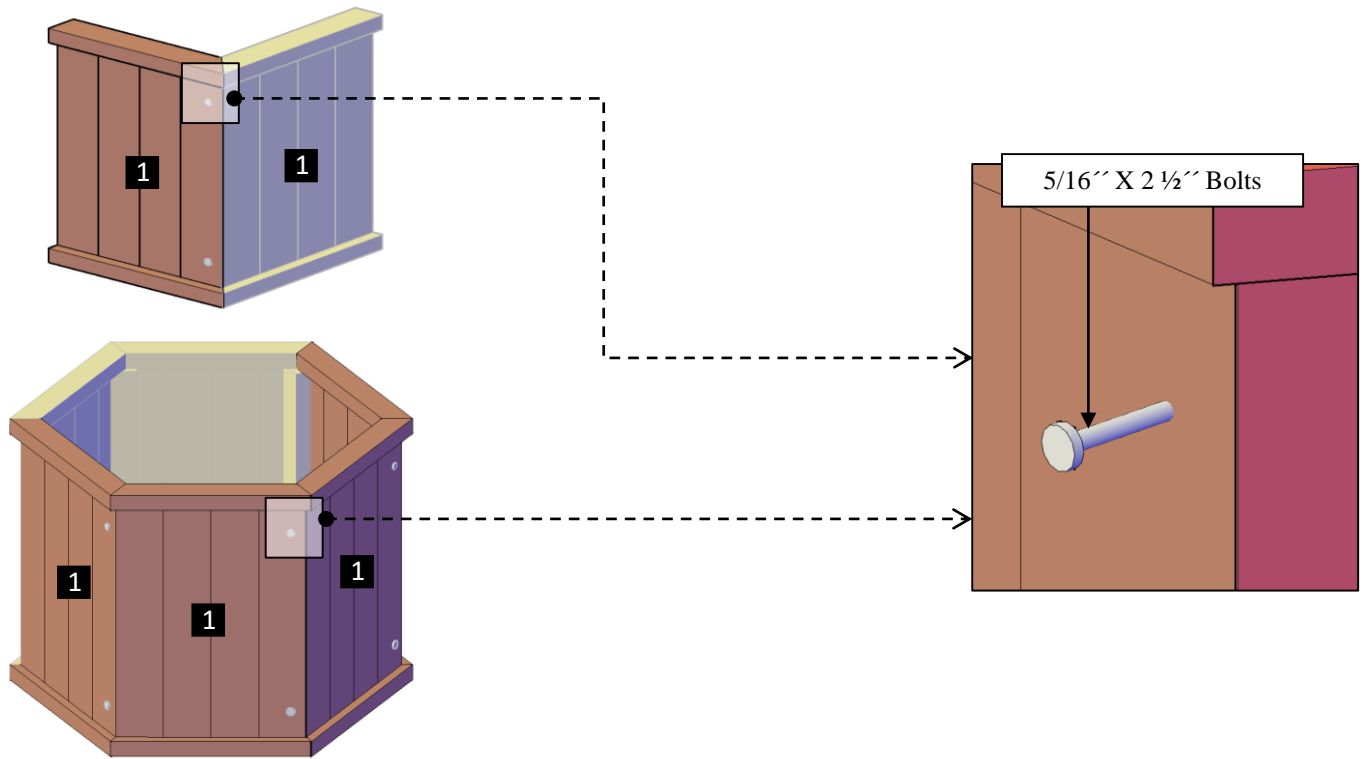




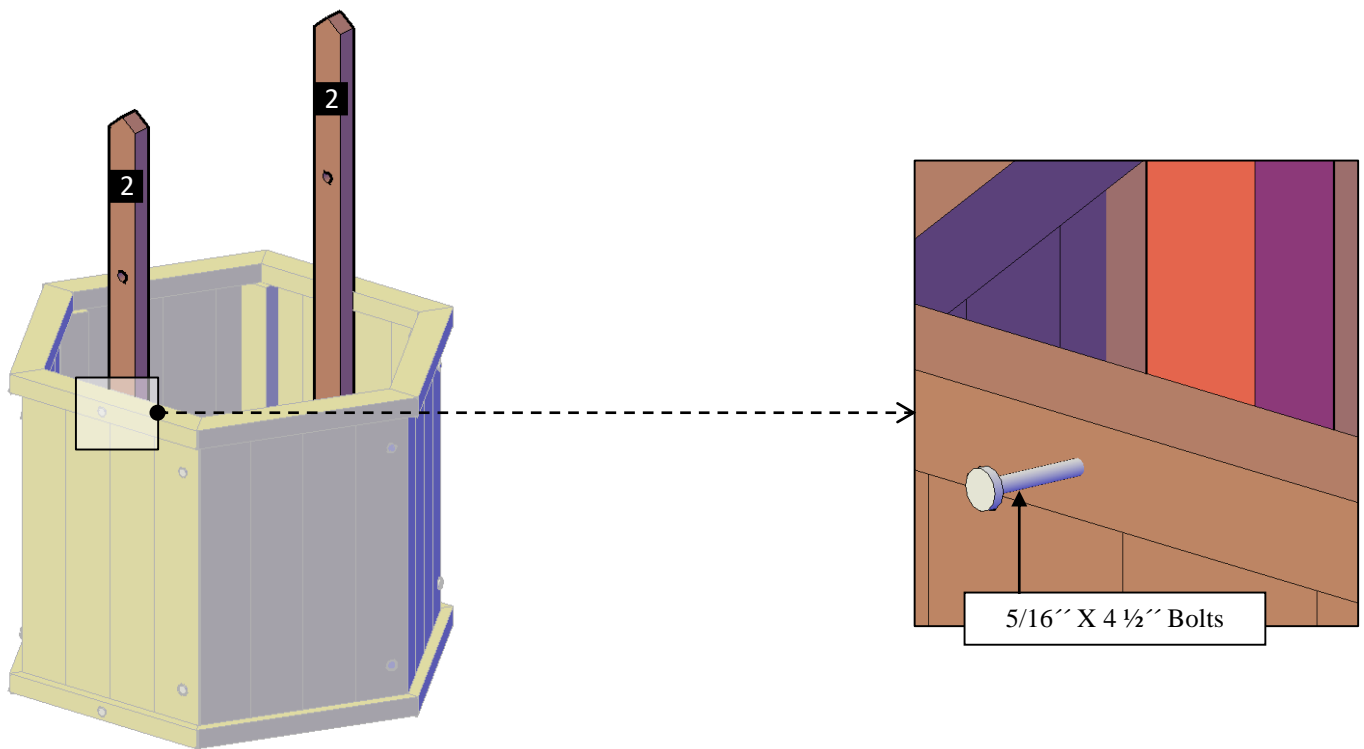
DESCRIPTION	No
Walls	1
Posts	2
Roof	3
Handle	4

Note: Part numbers in the Drawing are for reference only. These do not match to the numbers marked on the parts sent.

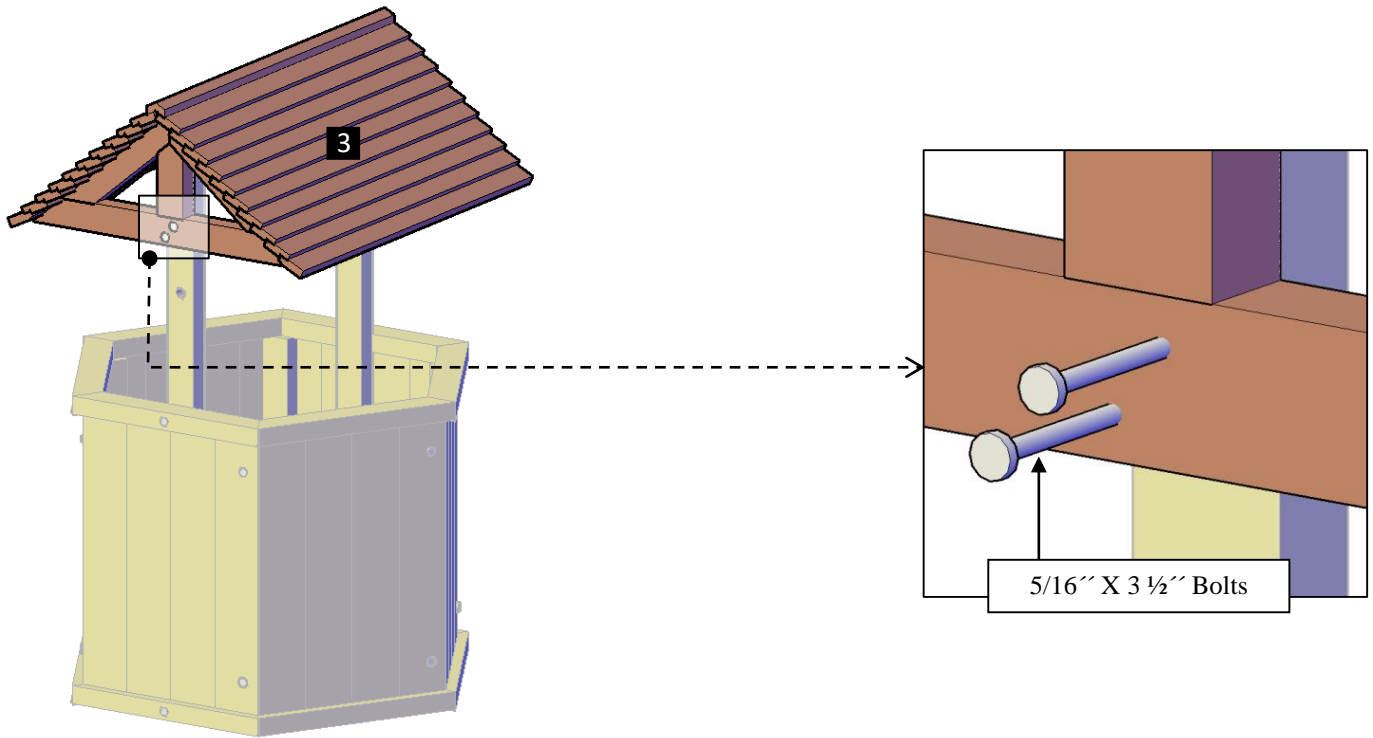
Step 1: The walls (1) will be attached together with 5/16" x 2 1/2" bolts (A). Each part has a series of numbers that indicate where to attach the part with the corresponding number.



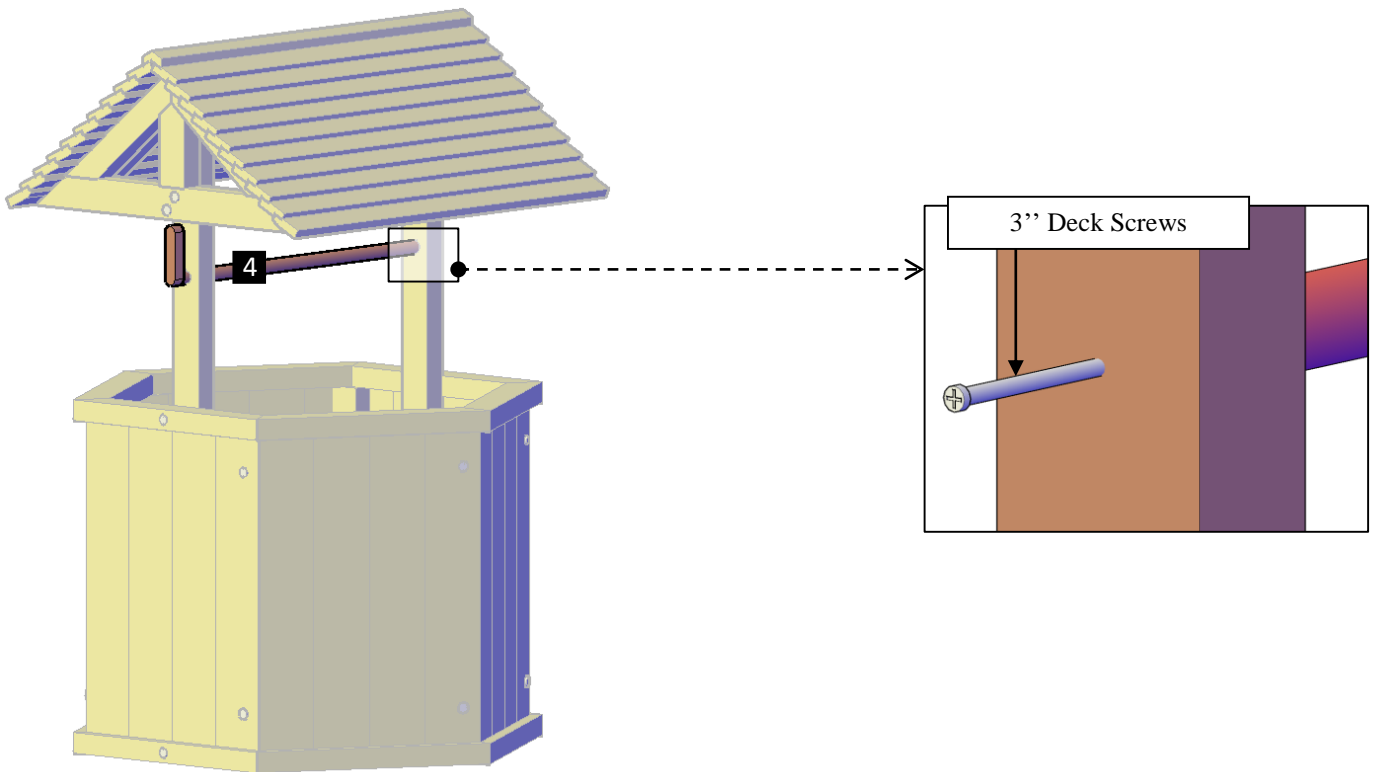
Step 2: Attach the posts (2) to the walls with 5/16" x 4 1/2" bolts (B). Each part has a series of numbers that indicate where to attach the part with the corresponding number.



Step 3: Use 5/16" x 3 1/2" bolts (C) to attach the roof (3) to the posts. Each part has a series of numbers that indicate where to attach the part with the corresponding number.



Step 4: Finally, introduce the handle (4) into the posts holes and attach with one 3" deck screw (D). Each part has a series of numbers that indicate where to attach the part with the corresponding number.





This completes the Wishing Wells Assembly. Hope you enjoy your set for many decades. If you ever have a problem or a question, don't hesitate to call us (866 332 2403) or email us. We are here to support you.