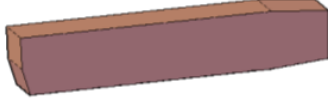
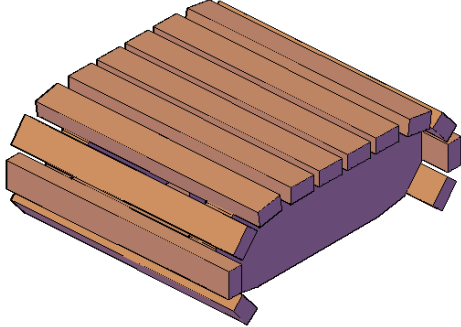



866.332.2403 (Toll Free); 8am-5pm Pacific Time, Monday-Friday

Assembly Instructions for: **ADIRONDACK FLAT WOODEN OTTOMAN**



CONTENT OF BOXES

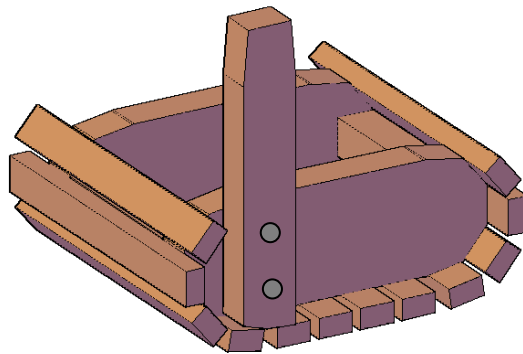
QUANTITY	DESCRIPTION	DRAWING
4	Legs	
1	Top	
	Carriage bolts, Washers and Nuts	Bolts, washers and nuts 

ASSEMBLY INSTRUCTIONS

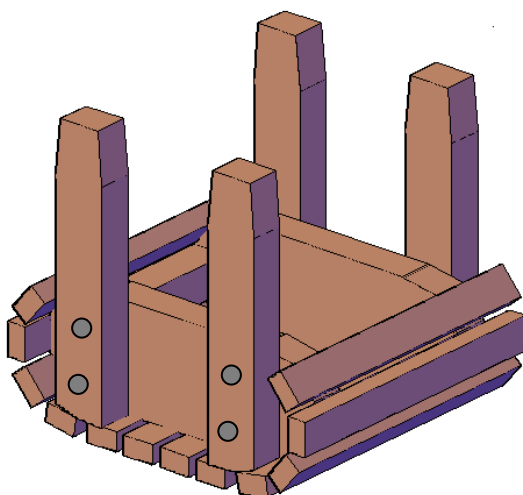
Thank you for purchasing Forever Redwood patio furniture. Forever Redwood is built by Old Growth Again Restoration Forestry (OGA). OGA is dedicated to restoration forestry. Sales of patio furniture finance our restoration work in California redwood forestlands. Tools required: ½-inch ratchet and a mallet or small hammer.

Unpack your ottoman and make sure you have all the parts. The parts that go together have the same numbers written next to the predrilled holes they attach to. Align the parts with the numbers as shown for ease of reference.

Step 1: Turn the top upside down. You'll notice that each corner has a number that corresponds to each leg. Match the leg number to the corner hole and attach with two carriage bolts. Align the predrilled holes; lightly tap the 2 bolts in. The bolts should tap into their holes. If you have to force a bolt, the leg is probably not oriented properly, is in the wrong hole or it is turned around. Make sure the bolts are tapped all the way into the wood, then add washers and nuts and tighten with a ½-inch ratchet. Do not over tighten or you'll crush the redwood and weaken the ottoman's structure.



Step 2: Repeat step 1 for the other 3 legs.



Thank you. If you have any questions, please call or email us.