



FOREVER REDWOOD

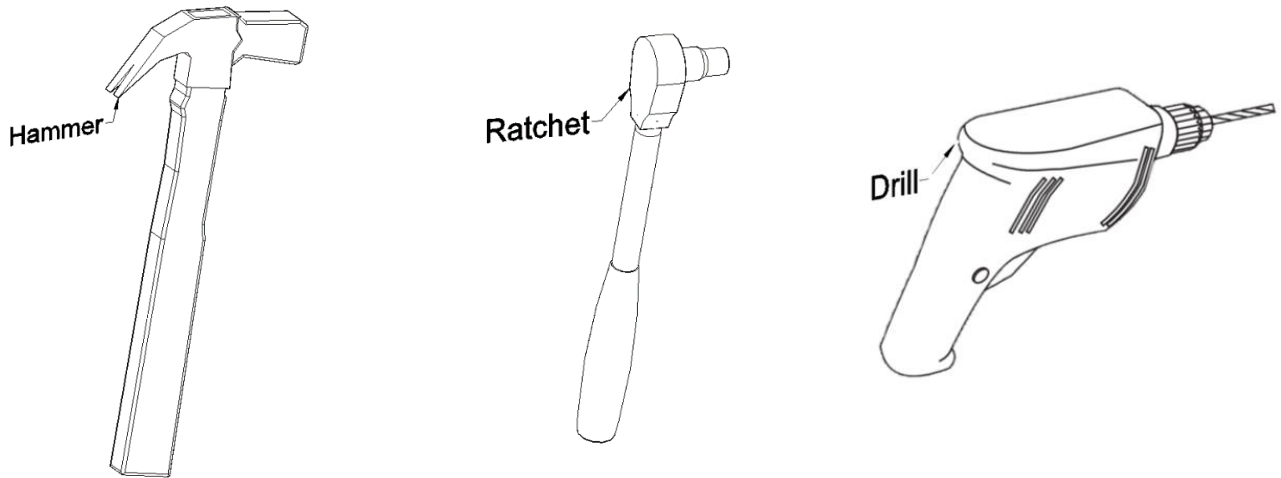
From the Forest, For the Forest since 1995

866.332.2403 (TOLL FREE) (707) 640.29.05 (Option 4) Direct Line for the Design Department; 7am – 7pm Pacific Time, Monday-Saturday

ASSEMBLY INSTRUCTIONS FOR THE ARCHED OPEN SKY PERGOLAS

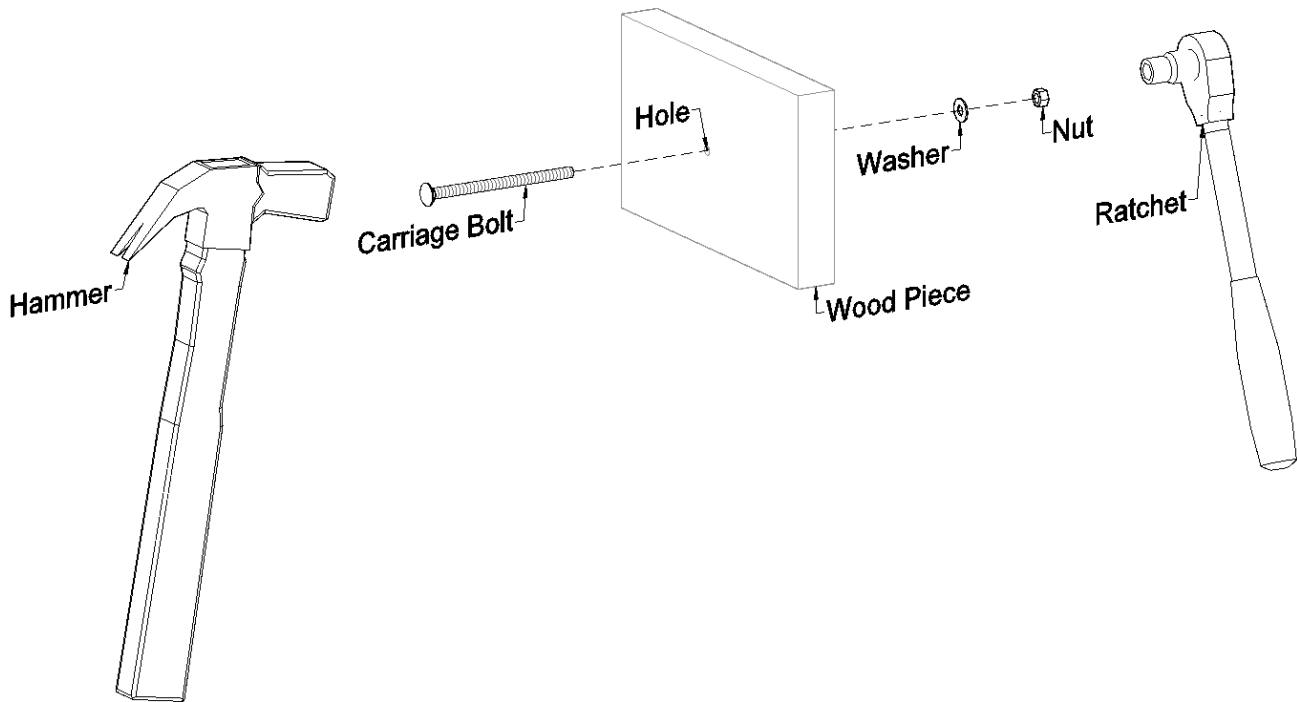


NOTE: Assembly is best done by two people. To assemble your product, you need a Hammer, a Ratch or a wrench and if required a Drill.



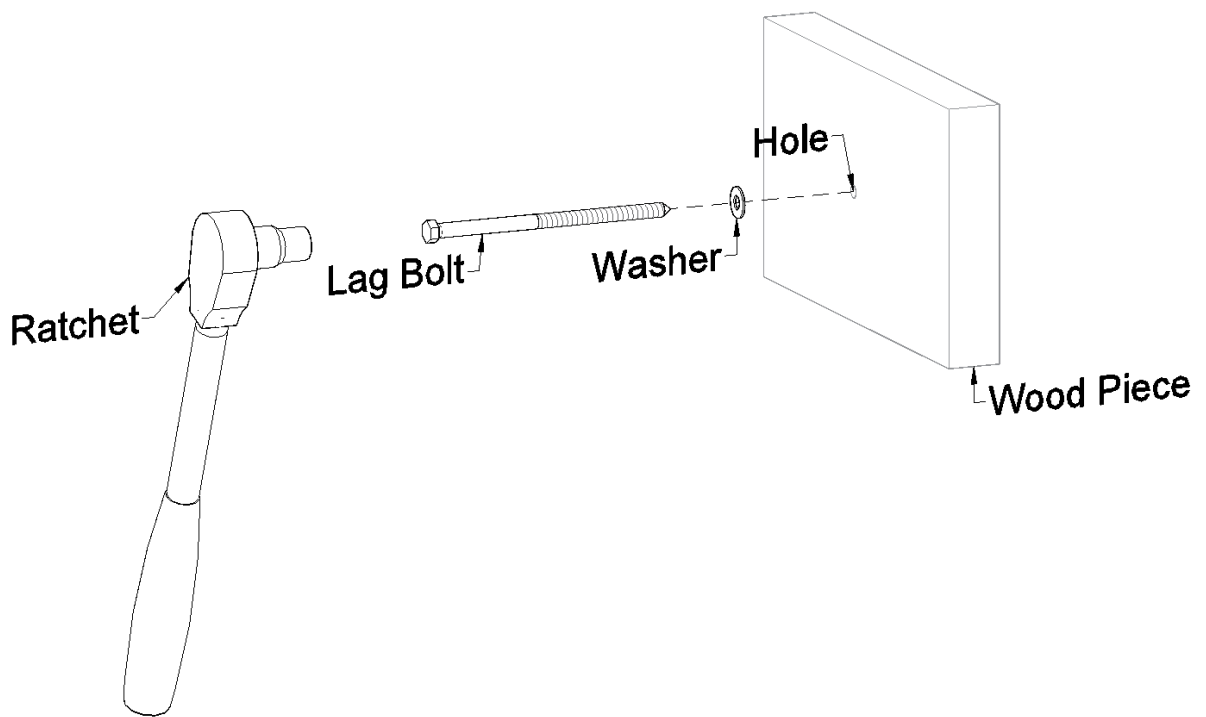
Required Tools (Are not included in your hardware packing).

PROCESS TO INSTALL THE HARDWARE PROVIDED.



To install the bolts.

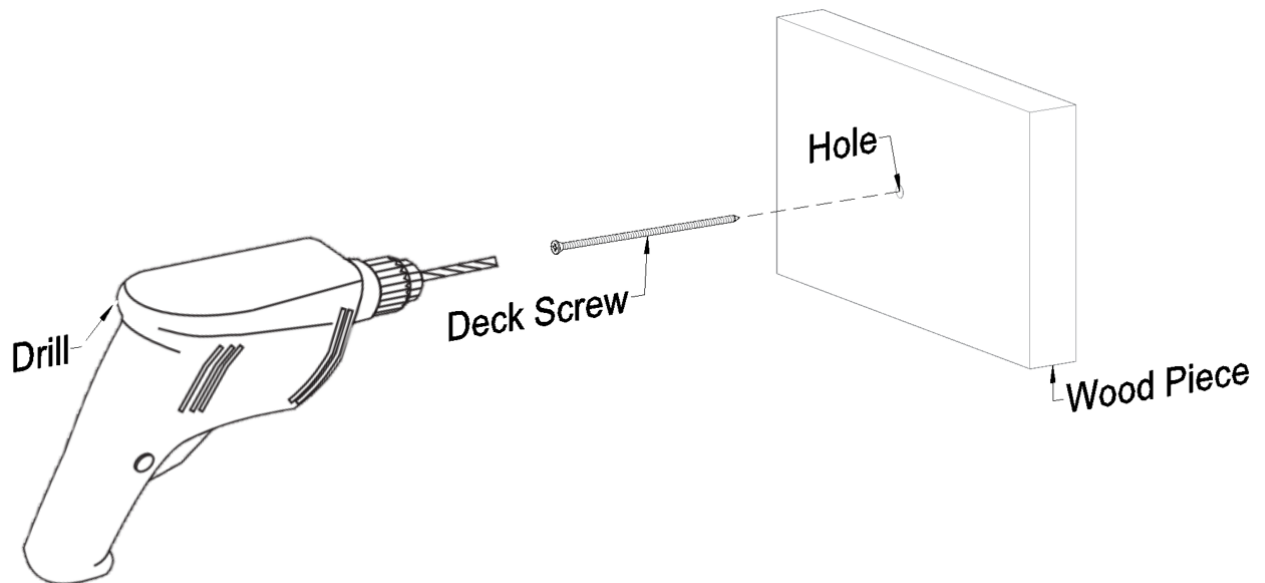
Insert the carriage bolts into the holes and lightly tap with a hammer until the square neck fit in the wood piece and the bolt head must flush with the wood piece. Finally, place the washer and the nut and carefully tighten it using a ratchet with the necessary socket or a wrench.



To install the lag bolts.











Place the washers in their lag bolts. After that, insert the lag bolts into the holes and carefully tighten it using a **ratchet** with the necessary **socket**.

Use the washers only for the Wood Pieces.










To install the deck screws.


Insert the deck screws into the holes and carefully tighten it using a drill.

CONTENT OF BOXES			
Qty.	Description	Drawing	No.
4	Post		1
2	Support		2
2	Supports with in-between blocking		3
13	Arched rafters		4
4	Main knee braces		5
4	Secondary knee braces		6
12	Slats		7
11	Arched reinforcement		8
4	Boots		9
4	Anchor bases		10

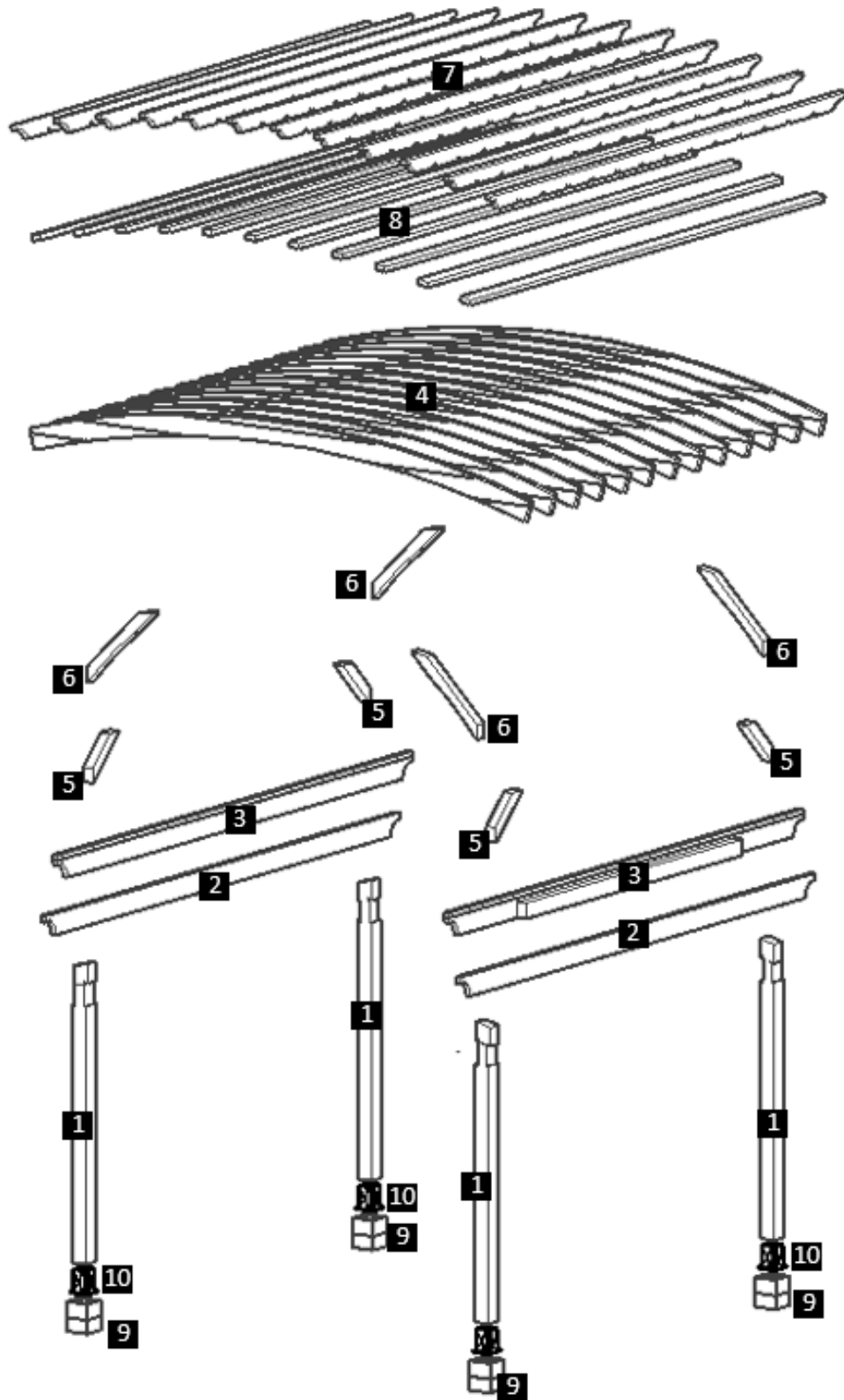
Note: Part numbers in the Content of Boxes Table are for reference only. These do not match to the numbers marked on the parts sent.

HARDWARE LIST			
Qty.	Description	Drawing	No.
16	1/2" x 3 1/2" anchor bolts		AB1
24	5/16" X 3" lag bolts		LB1
14	3/8" X 6 3/4" bolts		BL1
4	3/8" X 6" bolts		BL2
8	3/8" x 9" bolts		BL3
4	3/8" X 5" bolts		BL4
420	3" deck screws		DS1

Note: Dimensions of your hardware will vary depending on size.



DESCRIPTION	No.
Posts	1
Single Supports	2
Supports with In-Between Blocking	3
Rafters	4
Main Knee Braces	5
Secondary Knee Braces	6
Slats	7
Arched reinforcement	8
Boots	9
Anchor bases	10

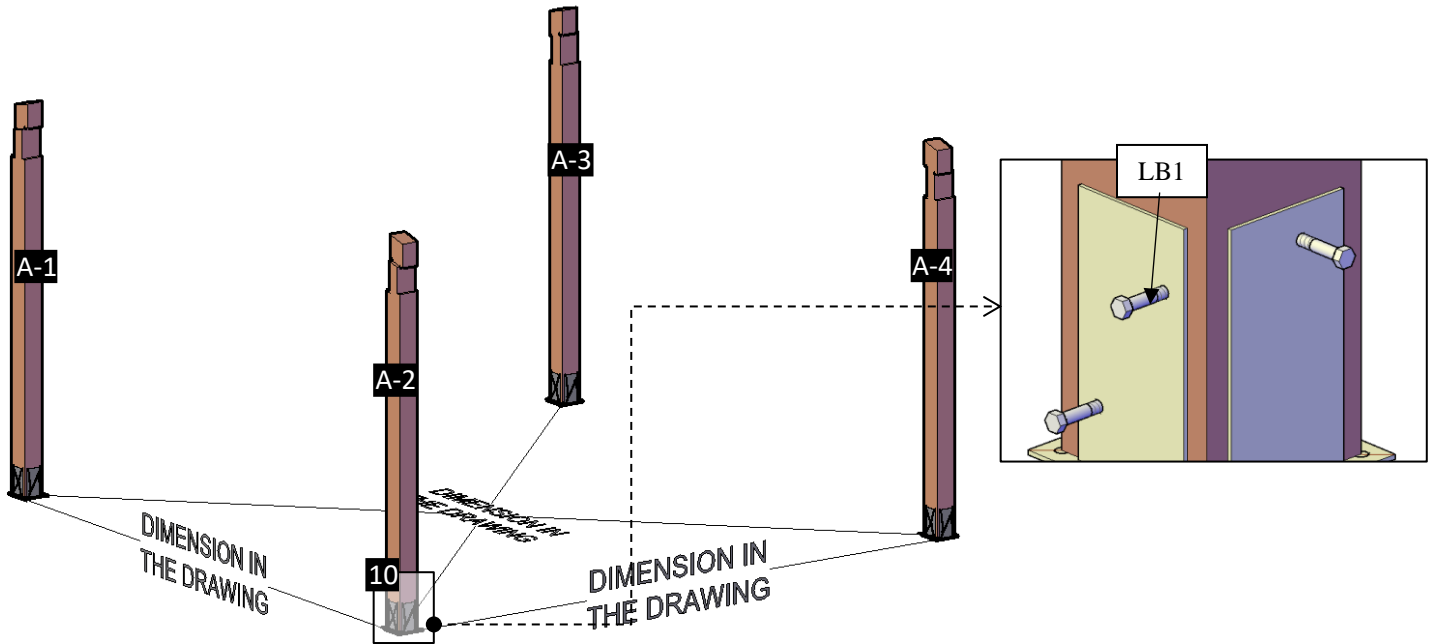


Note: Part numbers in the Drawing are for reference only. These do not match to the numbers marked on the parts sent.

NOTE: In order to know where the post needs to be placed, check the numbers on them. If the post is not marked, then place the single Supports on the ground to locate the markings for each post position and clearly set your bearings. (“Don’t attach yet, only place them on the ground to begin with”).

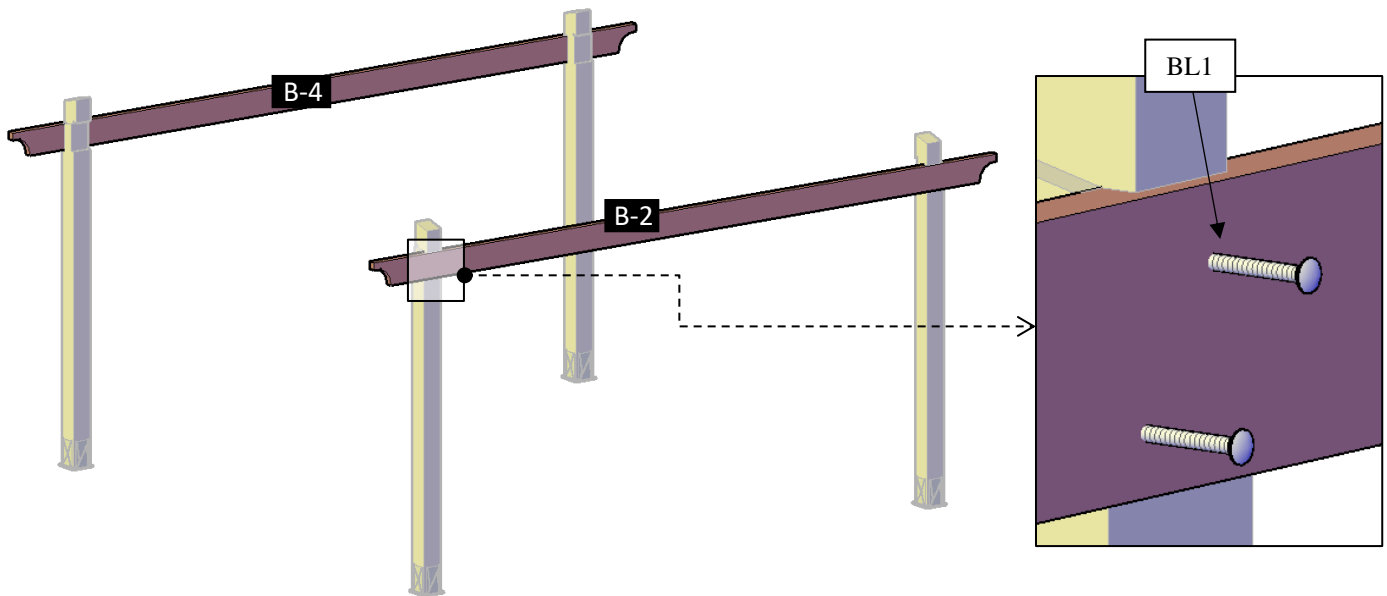
Note: Before install the anchor bases make sure that the ground is level using a carpenter's level or hydro-level (water level).

Step 1: Install the anchor bases (10) with 1/2" x 3 1/2" anchor bolts (AB1). Please see the “How to anchor your pergola document” for all details. Set your post (1) in the saddle of the anchor bases. Drill a ø 1/4" hole in the post prior to anchoring to facilitate the ratcheting of the hardware. After that, use 5/16" X 3" lag bolts (LB1) to attach each post to its respective anchor base. (9).



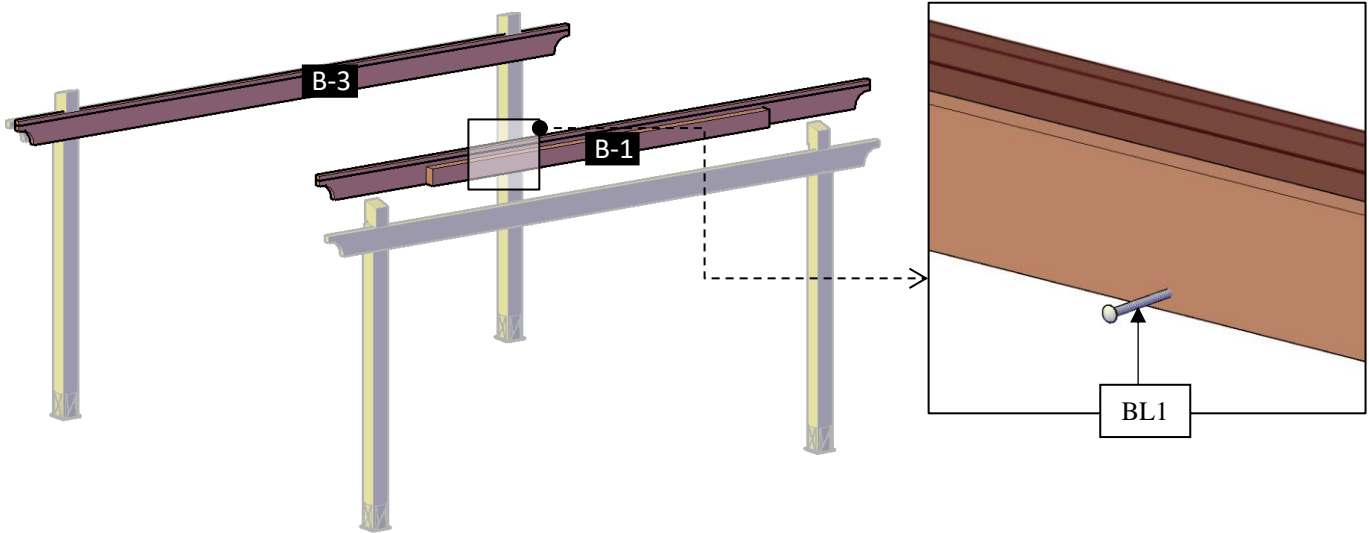
Step 3: Use 3/8" X 6 3/4" bolts (BL1) with washer and nuts to attach the single supports (2) to the posts. Check the marked on each support and place as drawings shown.

Note: Don’t completely tighten yet the bolts – you will need the install the supports with in between blocking first.

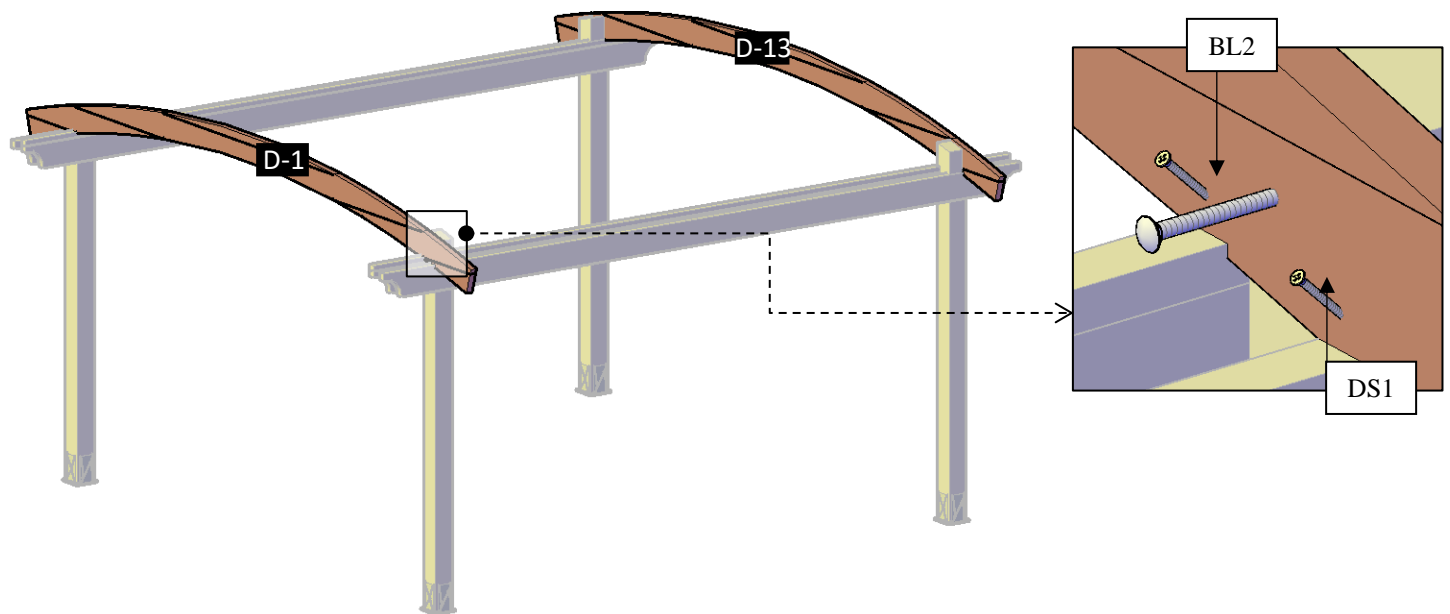


Step 4: Attach the single supports to the supports with in-between blocking (3), use 3/8" X 6 3/4" bolts (BL1) with washer and nuts. After that, return to the bolts described in the step 3 and tighten fully. Check the marked on each support with in-between blocking and place as drawings shown.

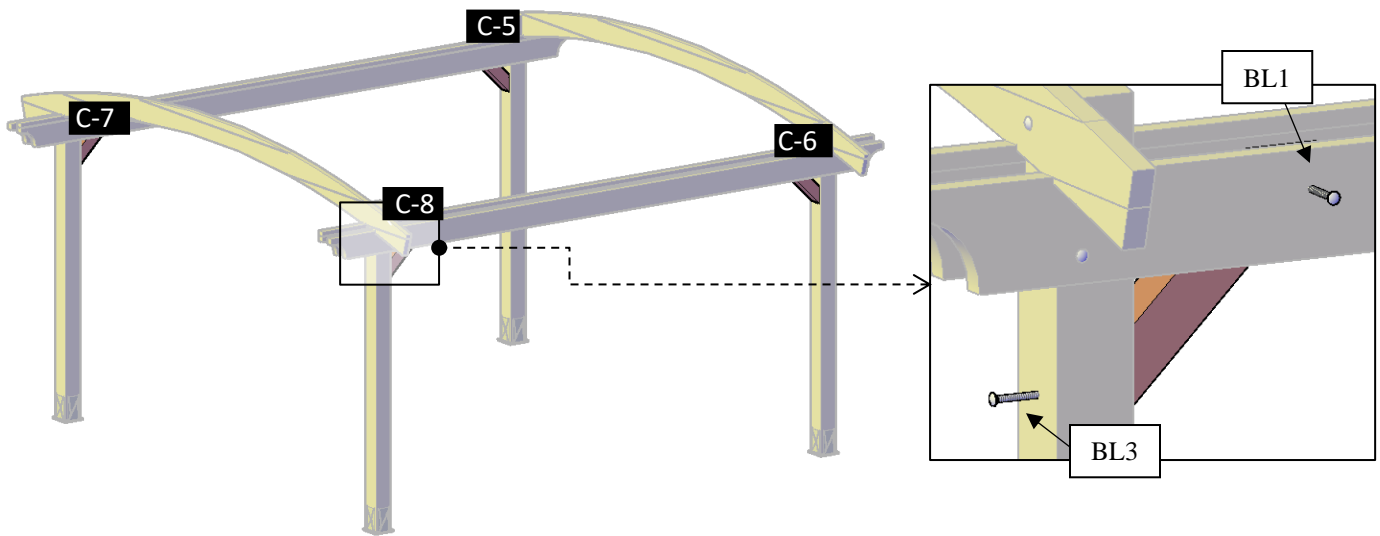
Note: put silicone in joints of the supports with in-between blocking.



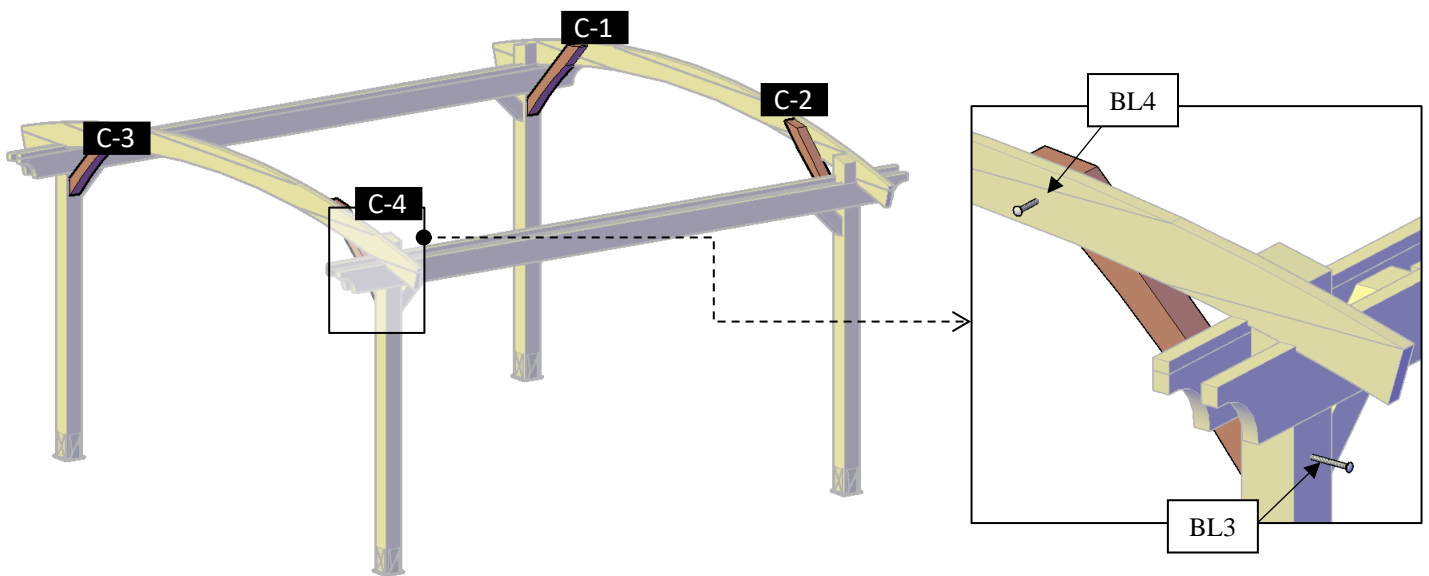
Step 5: Use 3/8" X 6" bolts (BL2) with washer and nuts to attach the perimeter arched rafter (4) to the posts and 3" deck screws (D) to attach to the supports. Check the marked on each perimeter arched rafter and place as drawings shown.



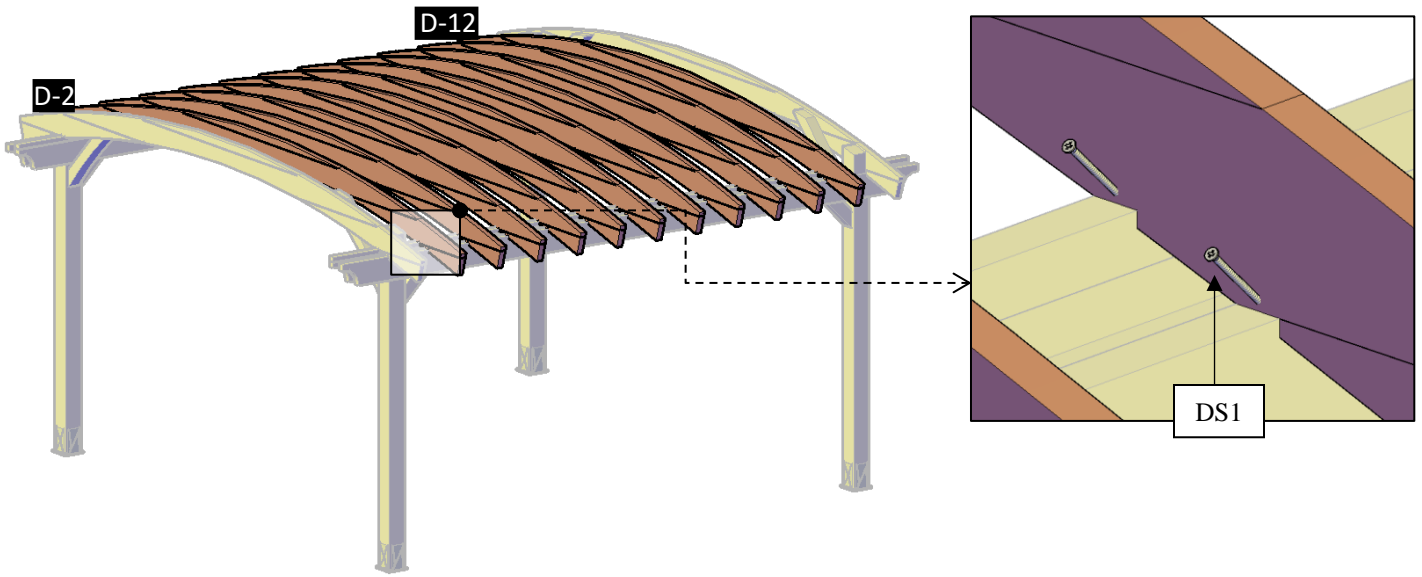
Step 6: Attach the main knee braces (5) to the supports with 3/8" X 6 3/4" bolts (BL1) with washer and nuts and to the posts with 3/8" x 9" bolts (BL3). Check the marked on each main knee brace and place as drawings shown.



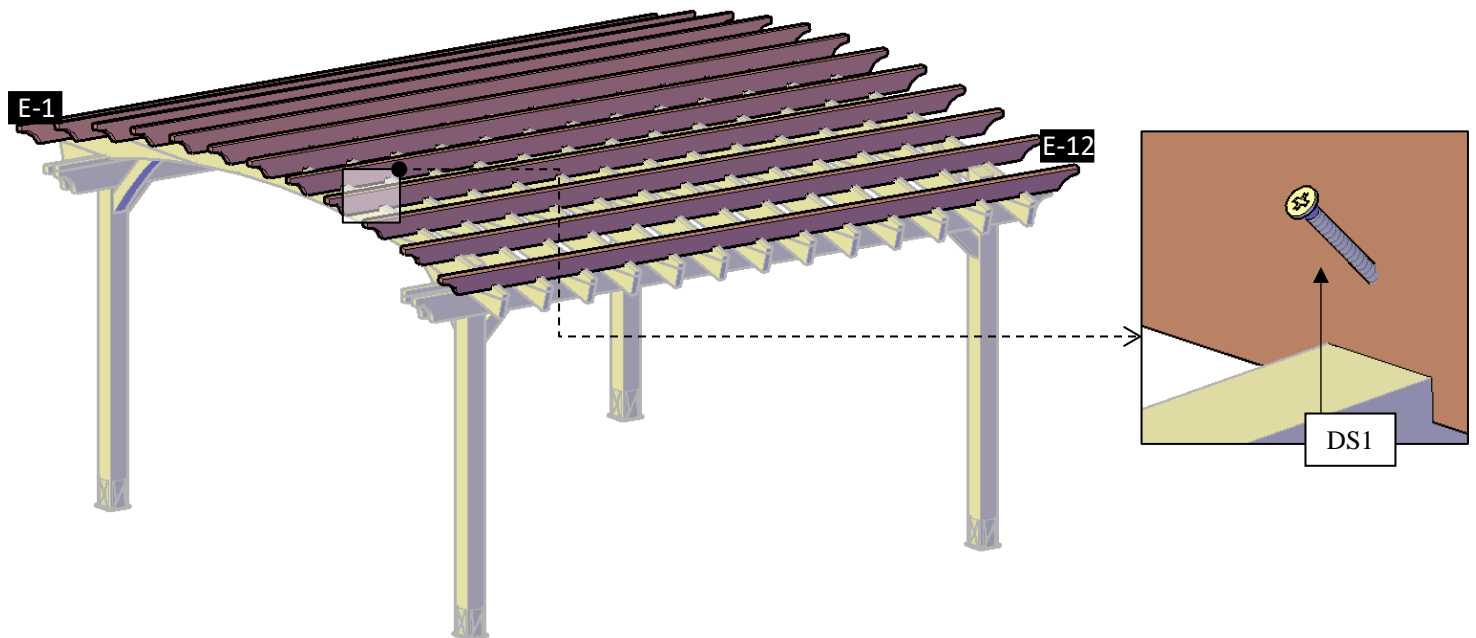
Step 7: Attach the Secondary knee braces (6) to the rafters with 3/8" X 5" bolts (BL4) with washer and nuts and to the posts with 3/8" x 9" bolts (BL3). Check the marked on each secondary knee brace and place as drawings shown.



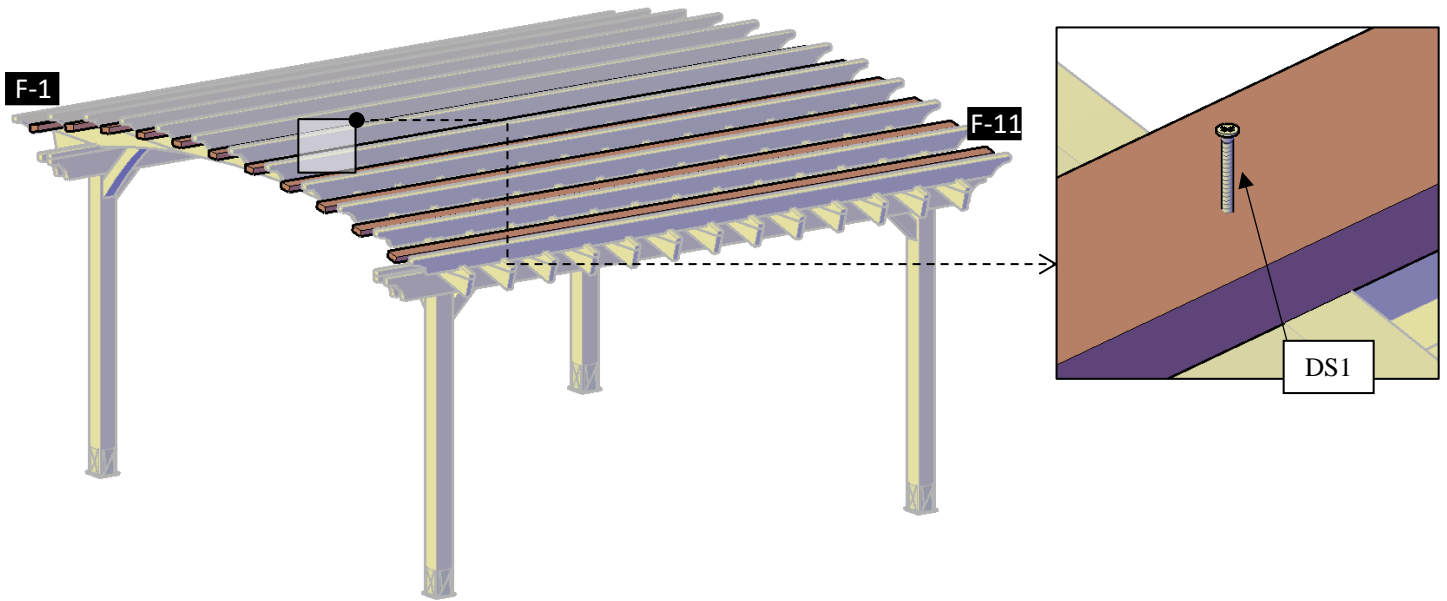
Step 8: Use 3'' deck screws (DS1) to attach the arched rafters (4) to the supports. Check the marked on each arched rafter and place as drawings shown (D-2 at D-12).



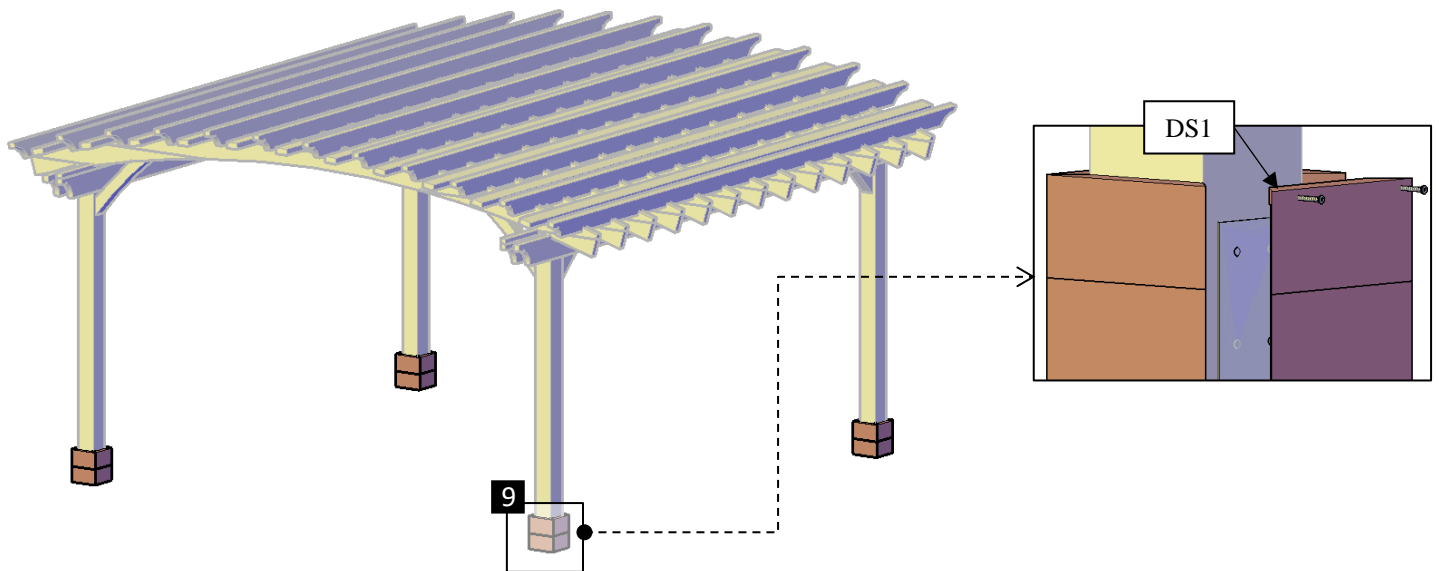
Step 10: Attach the slat (7) to the arched rafters with 3'' deck screws (DS1). Check the marked on each slat and place as drawings shown.

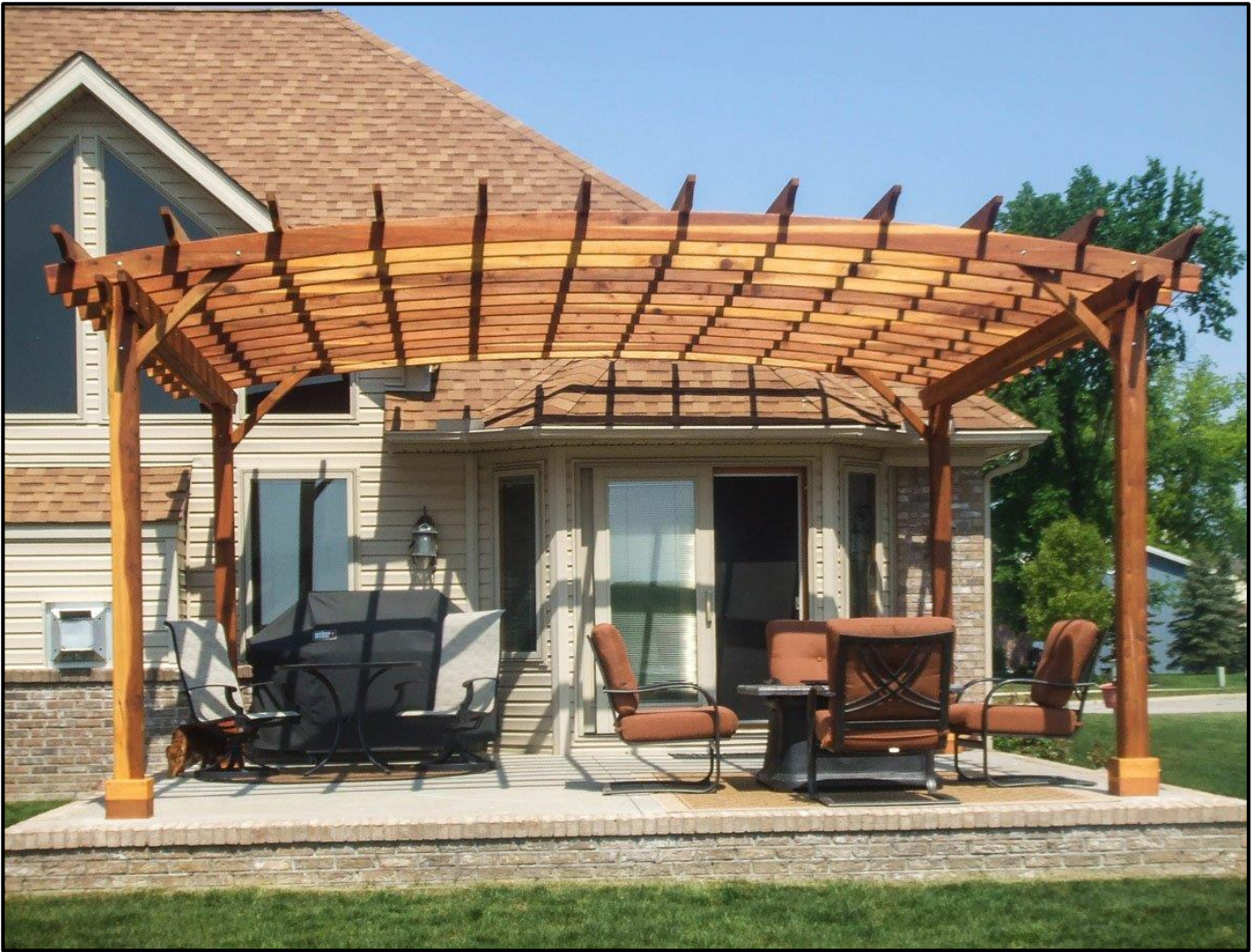


Step 10: Attach the arched reinforcement (8) to the arched rafters with 3" deck screws (DS1). Check the marked on each slat and place as drawings shown.



Step 12: Finally, attach the boots (9) to the posts with 3" deck screws (DS1).





This completes the Pergola assembly. Hope you enjoy your set for many decades. If you ever have a problem or a question, don't hesitate to call us (866 332 2403) or email us. We are here to support you.