



FOREVER REDWOOD

From the Forest, For the Forest since 1995

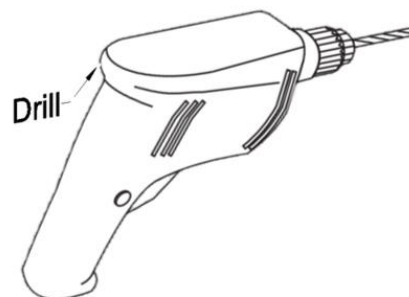
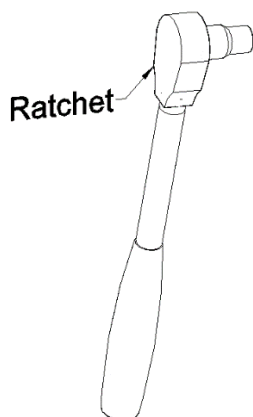
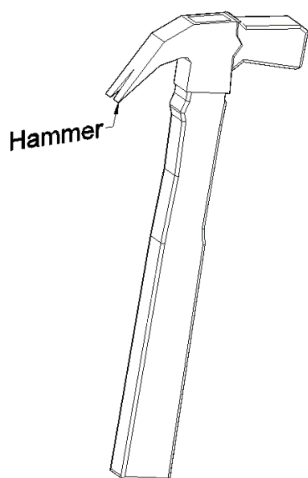
866.332.2403 (TOLL FREE) (707) 640.29.05 (Option 4) Direct Line for the Design

Department; 7am – 7pm Pacific Time, Monday-Saturday

ASSEMBLY INSTRUCTIONS FOR THE ARCHED THICK TIMBER PAVILION

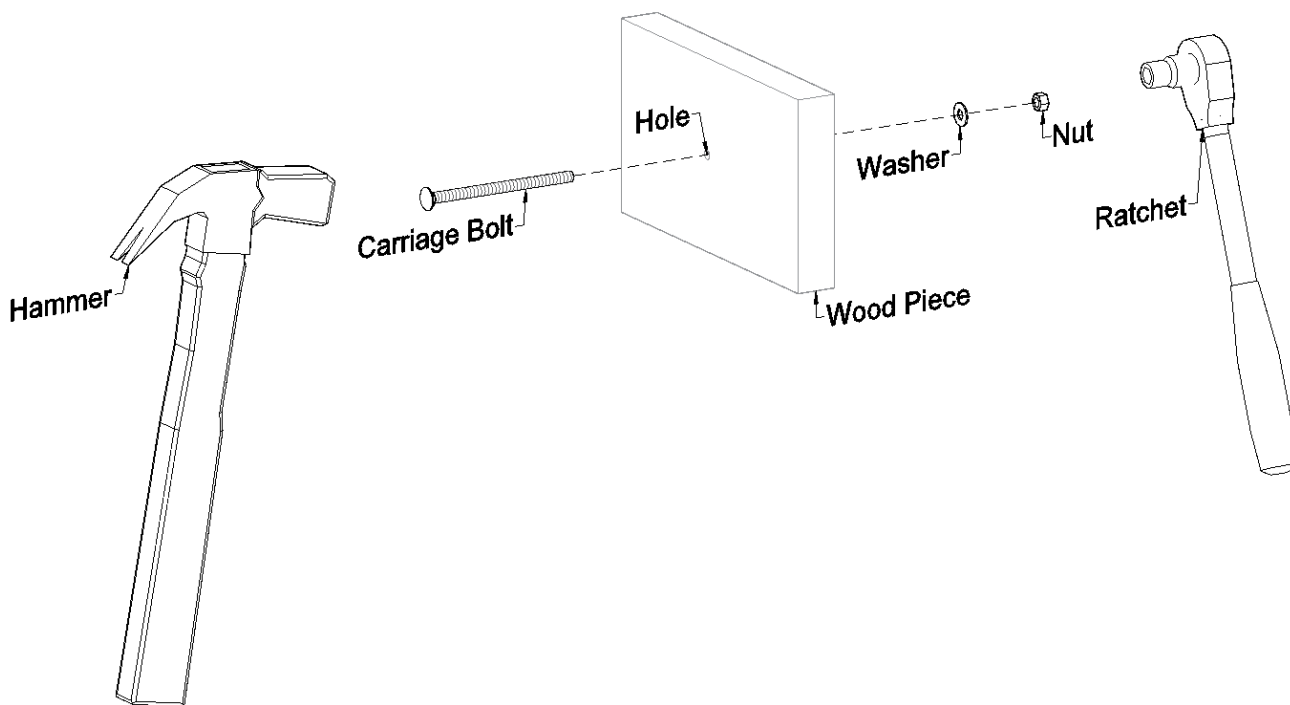


NOTE: Assembly is best done by two people. To assemble your product, you need a Hammer, a Ratch or a wrench and if required a Drill.



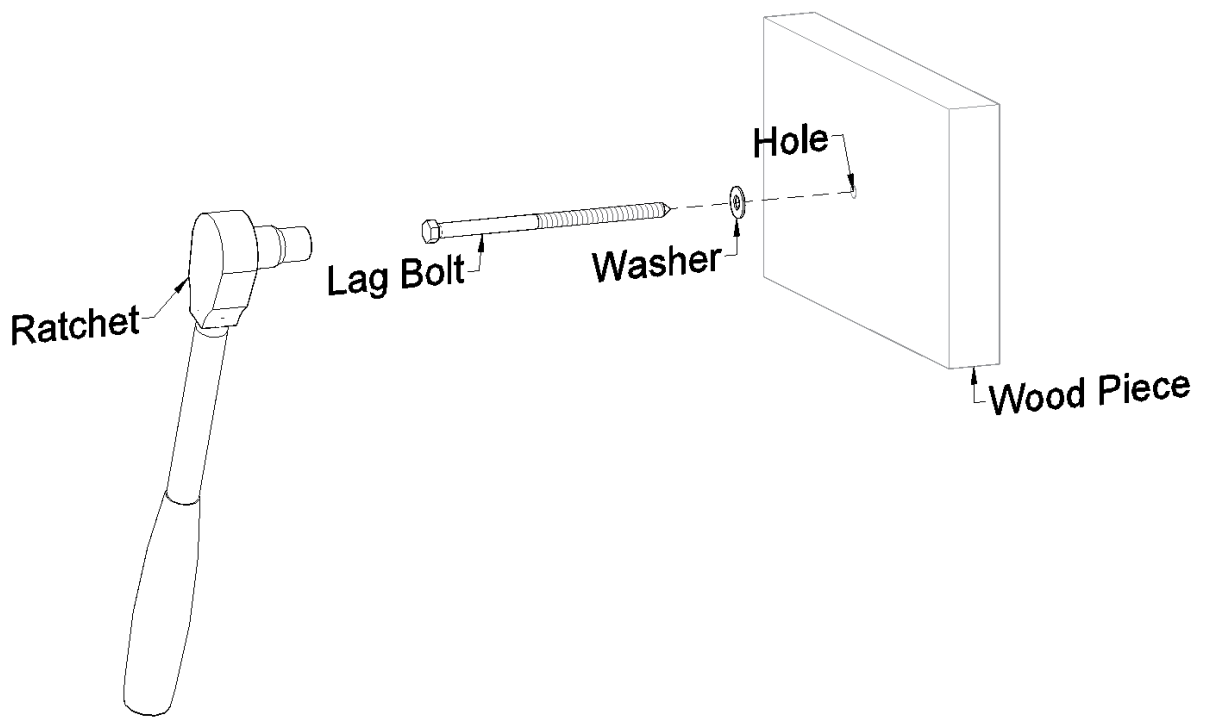
Required Tools (Are not included in your hardware packing).

PROCESS TO INSTALL THE HARDWARE PROVIDED.



To install the bolts.

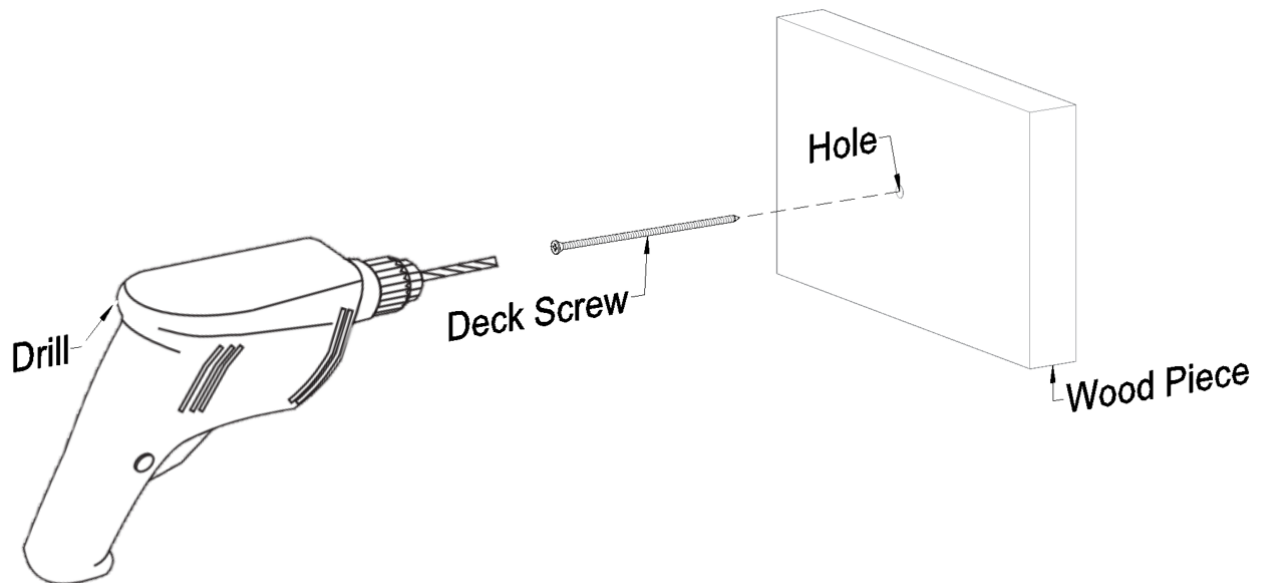
Insert the carriage bolts into the holes and lightly tap with a hammer until the square neck fit in the wood piece and the bolt head must flush with the wood piece. Finally, place the washer and the nut and carefully tighten it using a ratchet with the necessary socket or a wrench.



To install the lag bolts.

Place the washers in their lag bolts. After that, insert the lag bolts into the holes and carefully tighten it using a **ratchet** with the necessary **socket**.

Use the washers only for the Wood Pieces.

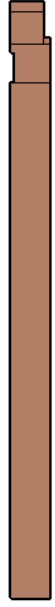
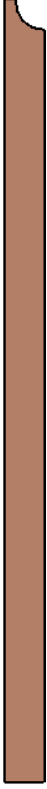
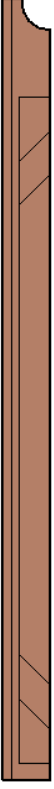

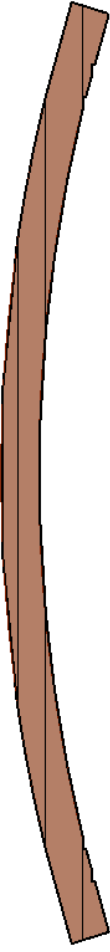
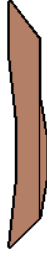
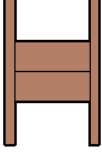
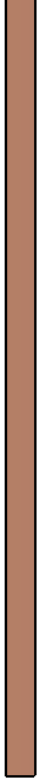






To install the deck screws.

Insert the deck screws into the holes and carefully tighten it using a drill.

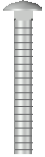
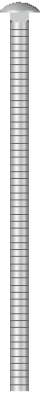
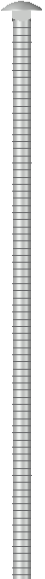
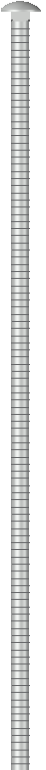
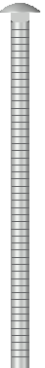
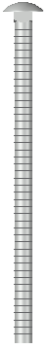

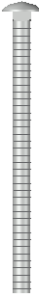
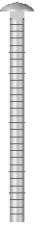
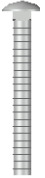
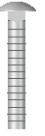
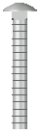



CONTENT OF BOXES

Qty.	Description	Drawing	No.
6	Posts		1
4	Single Supports		2
4	Supports with In-Between Blocking		3
8	Main Knee Braces		4
15	Arched Rafters		5
6	Secondary Knee Braces		6
2	Ceiling Fan Base		7
70	Roof Boards		8
4	Facias		9
6	Boots		10
6	Anchors Bases.		11
8	Hanger		12

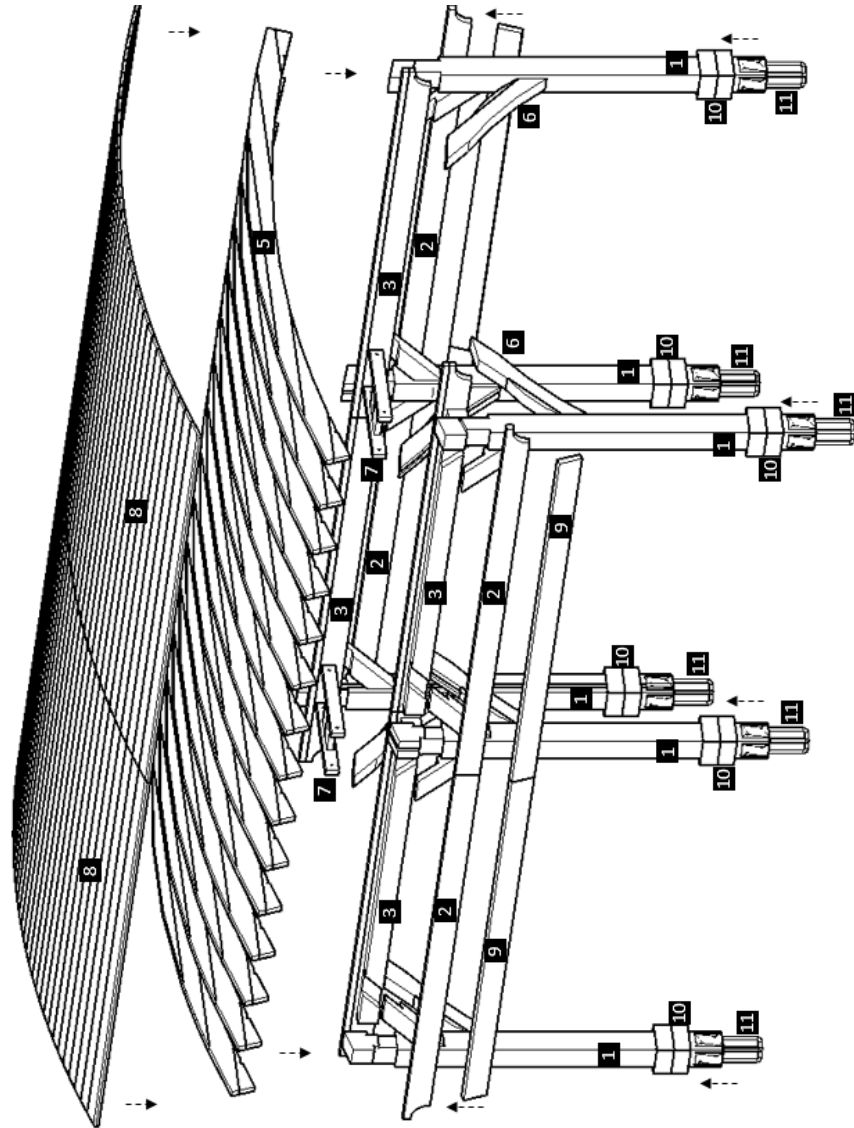
Note: Part numbers in the Content of Boxes Table are for reference only. These do not match to the numbers marked on the parts sent.

HARDWARE LIST

Qty.	Description	Drawing	No.
48	3/8" X 3" Lag Bolts (To attach the anchor bases to the post).		A
44	3/8" X 8" Bolts (To attach the single supports to the posts. / To attach the in-between blocking to the single support. / To attach the main braces to the posts).		B
10	3/8" X 12" Bolts (To attach the single main knee braces to the post).		C
2	3/8" X 16" Bolts (To attach the single main knee braces to the post).		D
4	3/8" X 7 1/2" Bolts (To attach the perimeter arched rafters to the post).		E
2	3/8" X 7" Bolts (To attach the central arched rafters to the post).		F
220	3" Deck Screws (To attach the arched rafters to the support).		G
4	3/8" X 6" Bolts (To attach the secondary knee braces to arched rafters).		H
2	5/16" X 4 1/2" Bolts (To attach the central secondary knee braces to arched rafters).		I
16	3/8" X 3 1/2" Lag Bolts (To attach the hanger to the in-between covers).		J
32	3/8" X 1 1/2" Lag Bolts (To attach the arched rafters to the hanger).		K
8	5/16" X 3 1/2" Lag Bolts (To attach the ceiling fan base).		L
1300	1 5/8" Deck Screws (To attach the ceiling fan base).		M

Note: Dimensions of your hardware will vary depending on size.

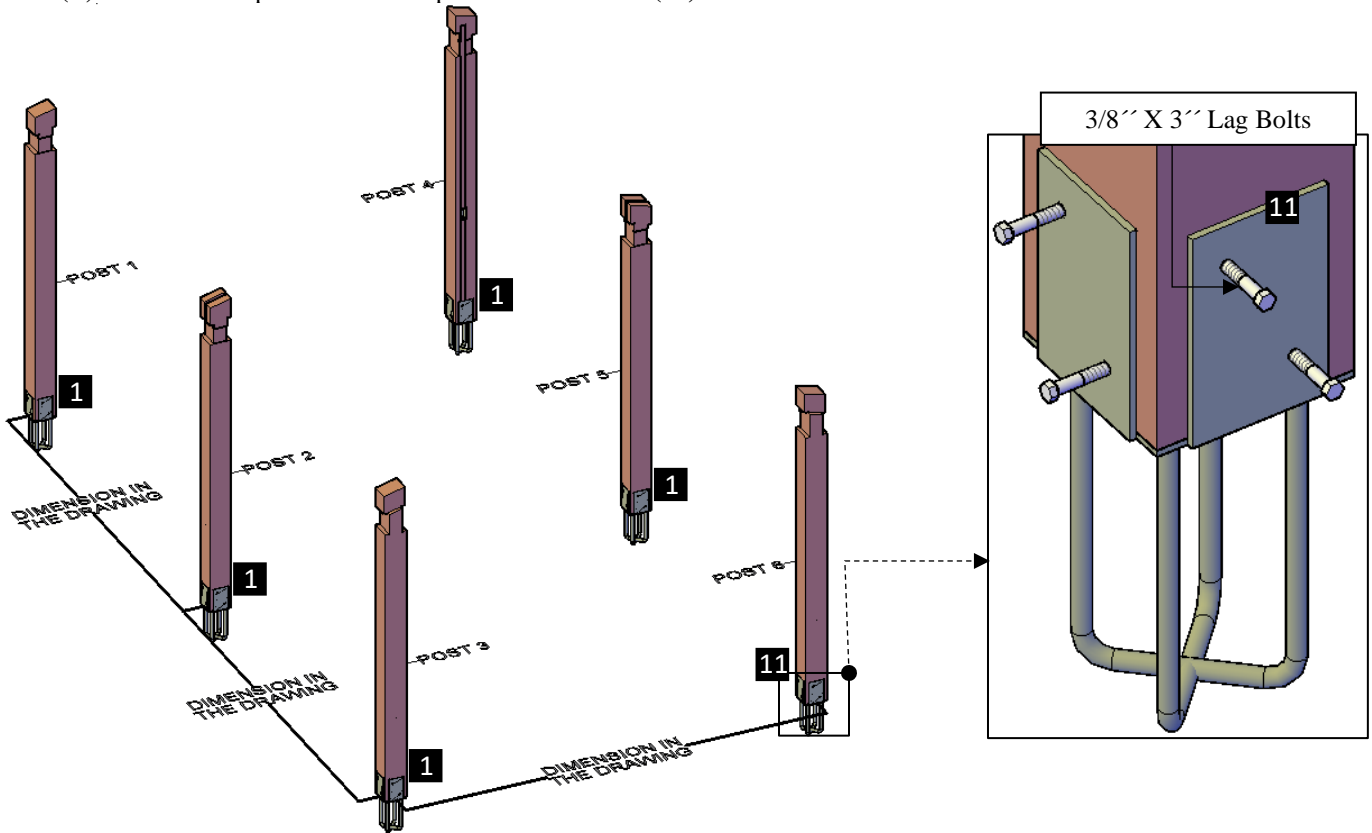
DESCRIPTION	No
Posts	1
Single Supports	2
Supports with In-Between Blocking	3
Main Knee Braces	4
Arched Rafters	5
Secondary Knee Braces	6
Ceiling Fan Base	7
Roof Boards	8
Facias	9
Boots	10
Anchors Bases.	11
Hanger	12



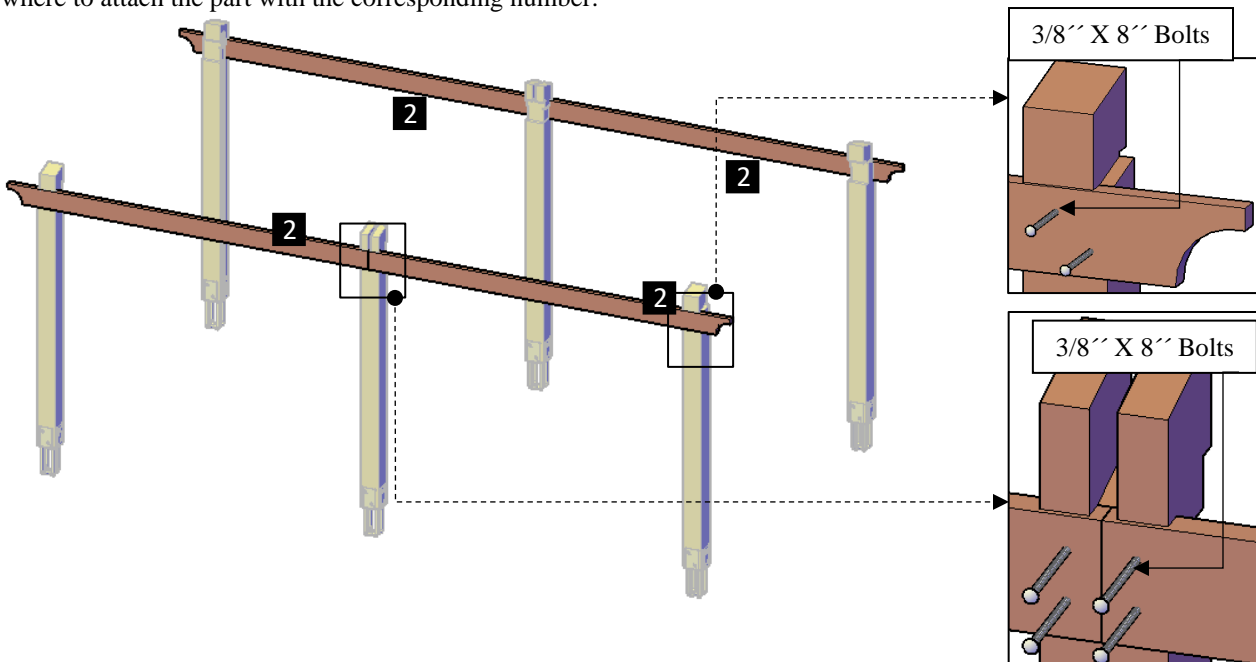
Note: Part numbers in the Drawing are for reference only. These do not match to the numbers marked on the parts sent.

NOTE: In order to know where the post needs to be placed, check the numbers on them. If the post is not marked, then place the single Supports on the ground to locate the markings for each post position and clearly set your bearings. (“Don’t attach yet, only place them on the ground to begin with”).

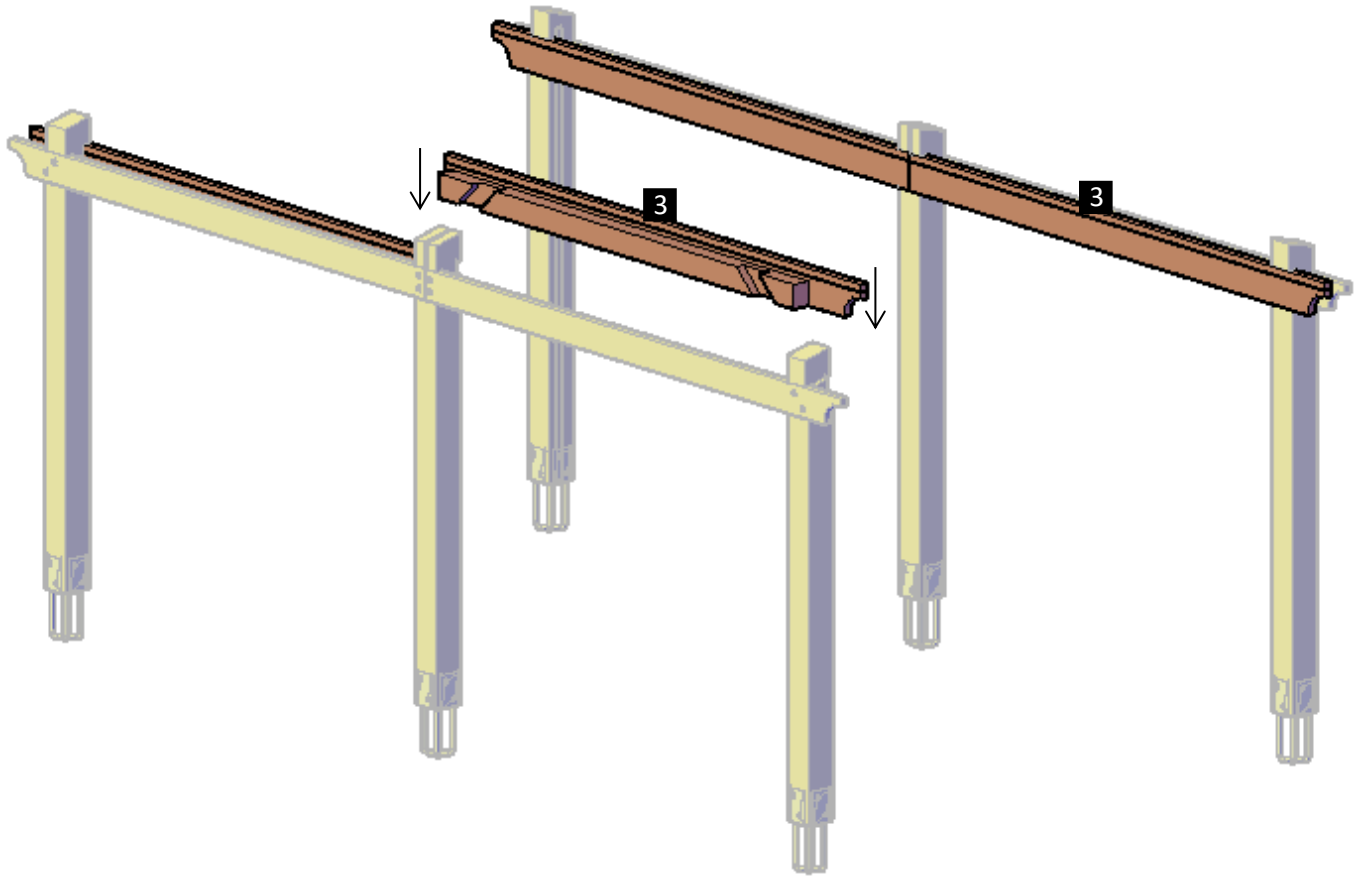
Step 1: Please see the “How to anchor your pergola document” for all details. Set your post (1) in the saddle of the anchor bases (9). Drill a ϕ 1/4” hole in the post prior to anchoring to facilitate the ratcheting of the hardware. After that, use a 3/8” X 3” lag bolts (B) to attach each post to the its respective anchor base (11).



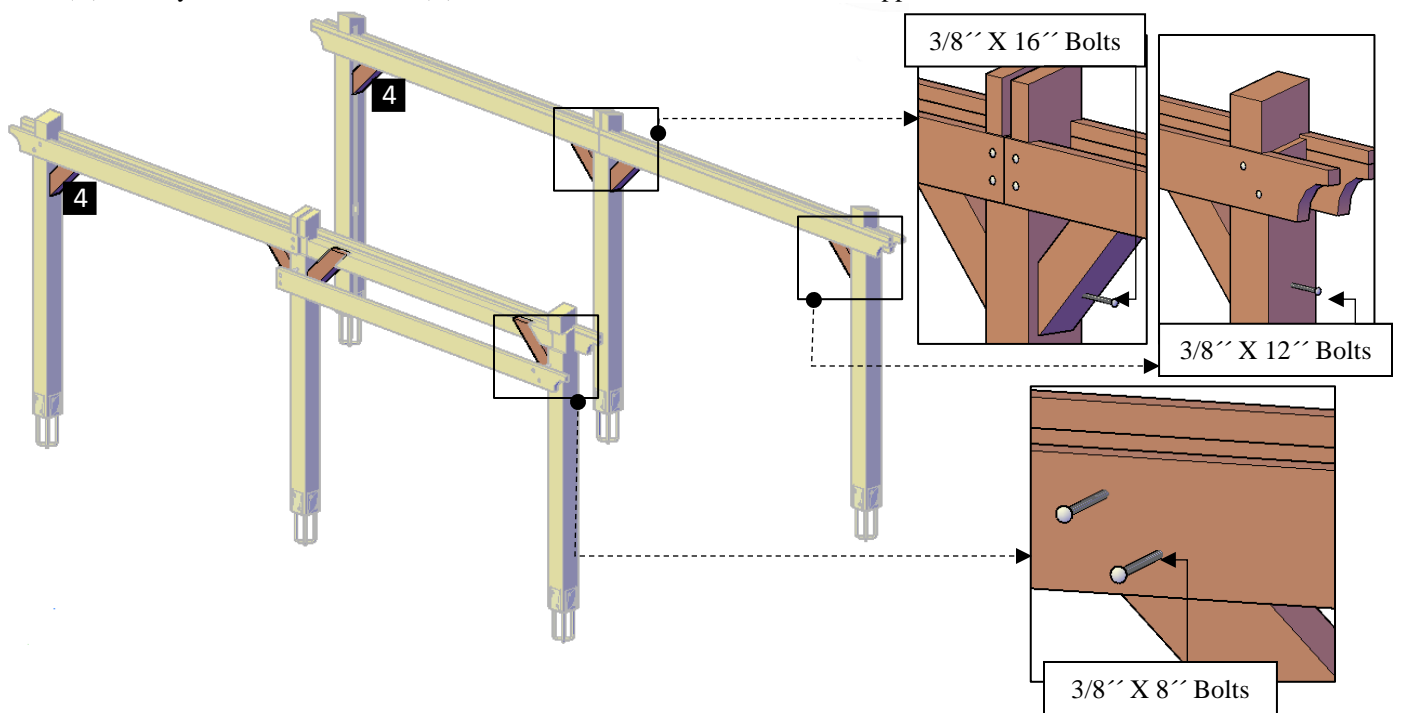
Step 2: First attach the single supports (2) to the posts with 3/8” X 8” bolts (B). Each part has a series of numbers that indicate where to attach the part with the corresponding number.



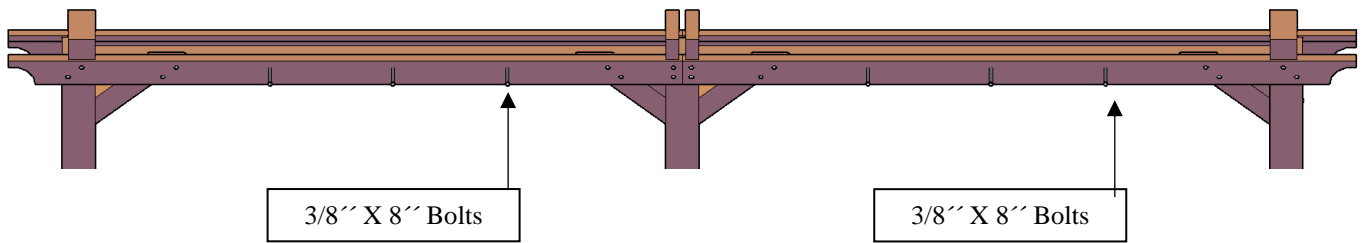
Step 3: Place the supports with in-between blocking (3), into the post notches as shown and attach to the posts with the single support bolts (C). Each part has a series of numbers that indicate where to attach the part with the corresponding number.



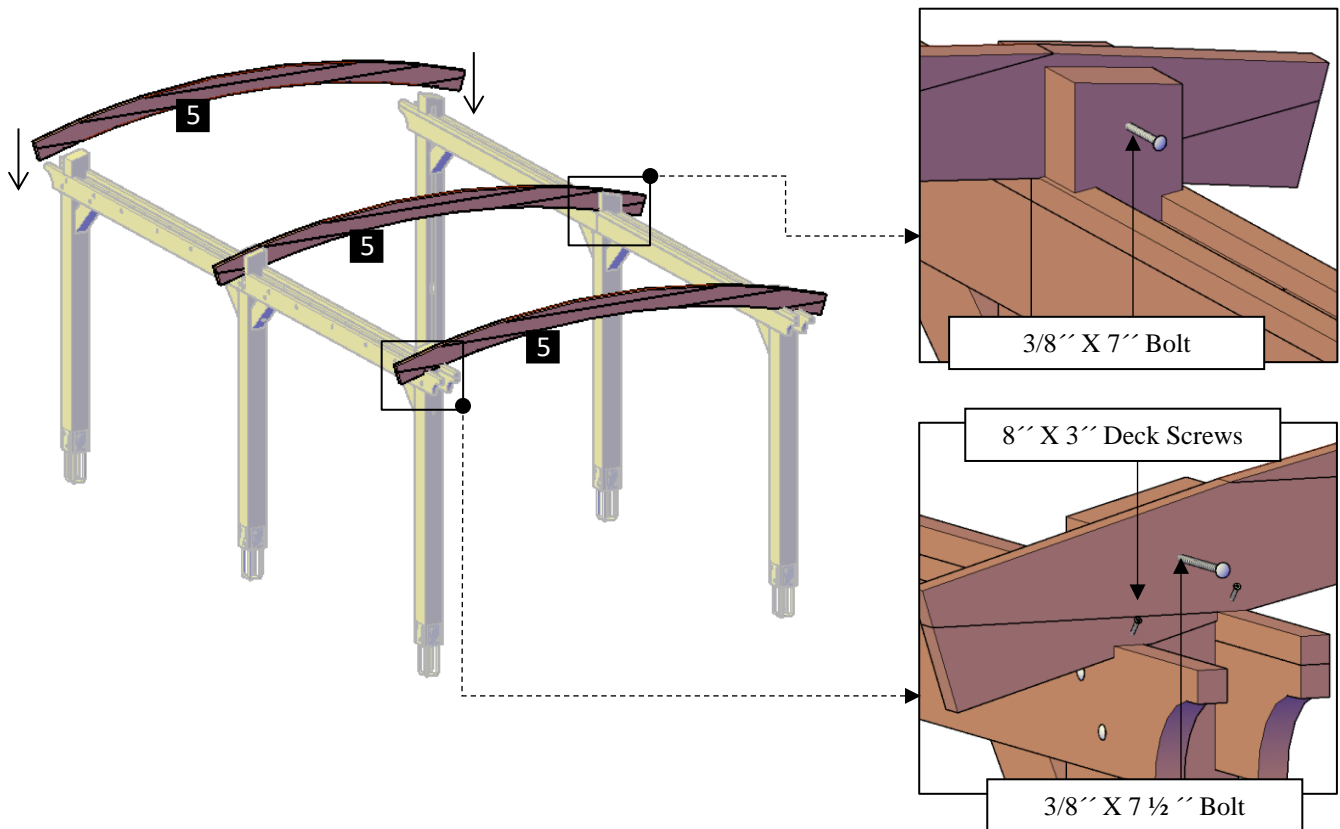
Step 7: First loosen the single support and place the main knee braces into the in-between blocking notches. Then, Attach the single main knee braces (4) to the posts with 3/8'' x 12'' bolts (C) and the double main knee braces to the post with 3/8'' x 16'' bolts (D). Finally, use 3/8'' x 8'' bolts (B) to attach the main knee braces to the support.



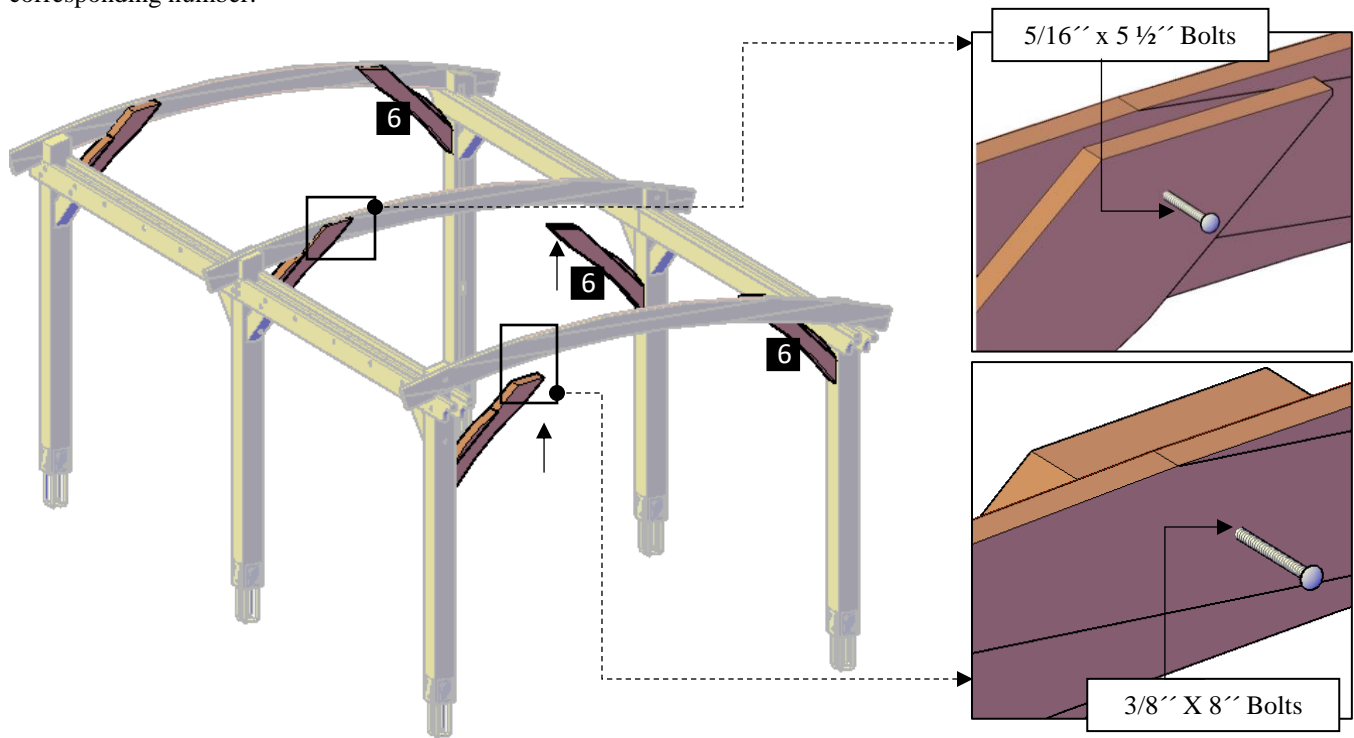
Step 4: Attach the single supports (2) to the supports with in-between blocking (3), use 3/8" X 8" bolts (B). The quantity of bolts depends on the length of the supports.



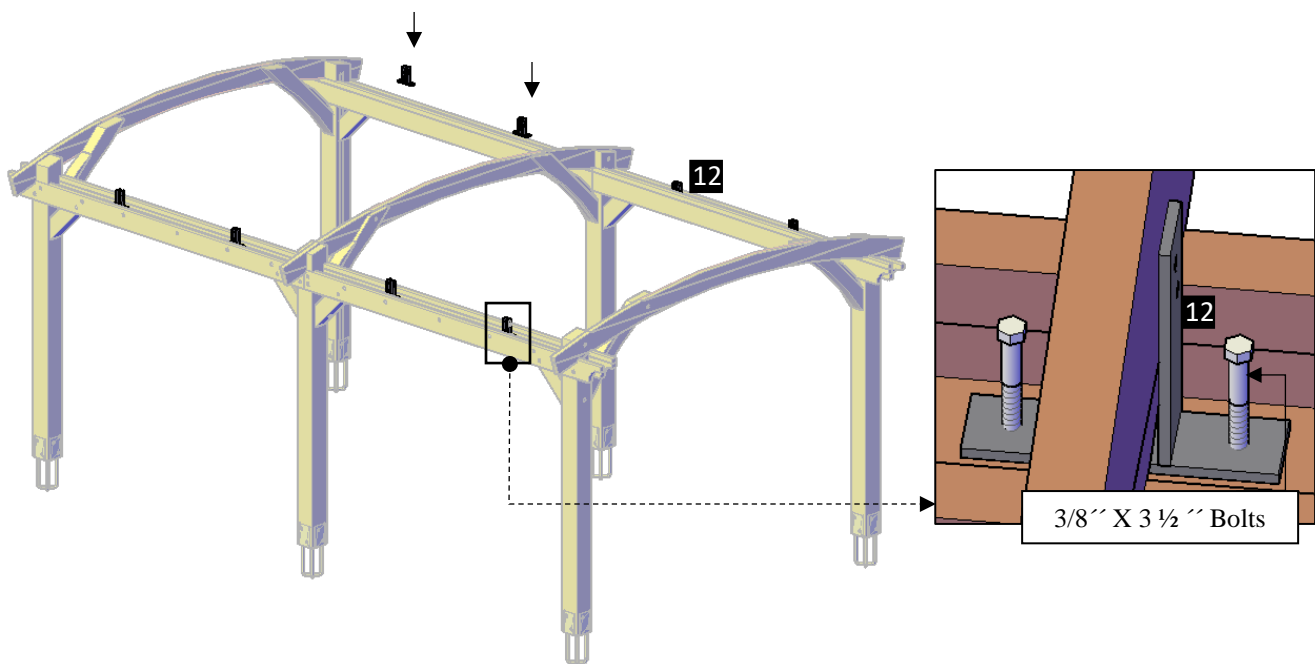
Step 5: Attach the perimeter arched rafters (5) to the posts with 3/8" x 7 1/2" bolts (E) and to the supports with 8" x 3" deck screws (G). After that, use 3/8" x 7" bolts (F) to attach the central arched rafter (5) to the post. Each part has a series of numbers that indicate where to attach the part with the corresponding number.



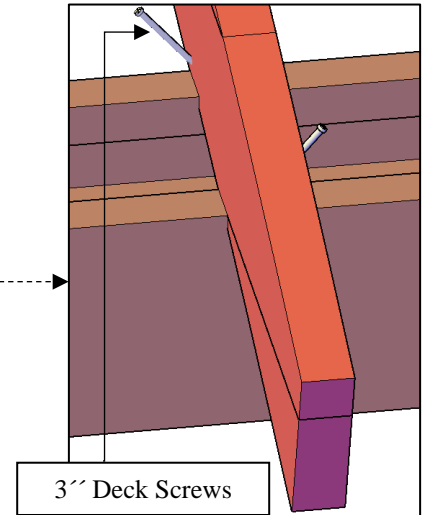
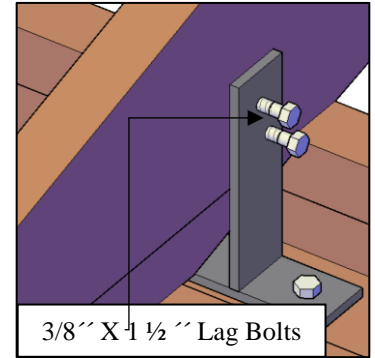
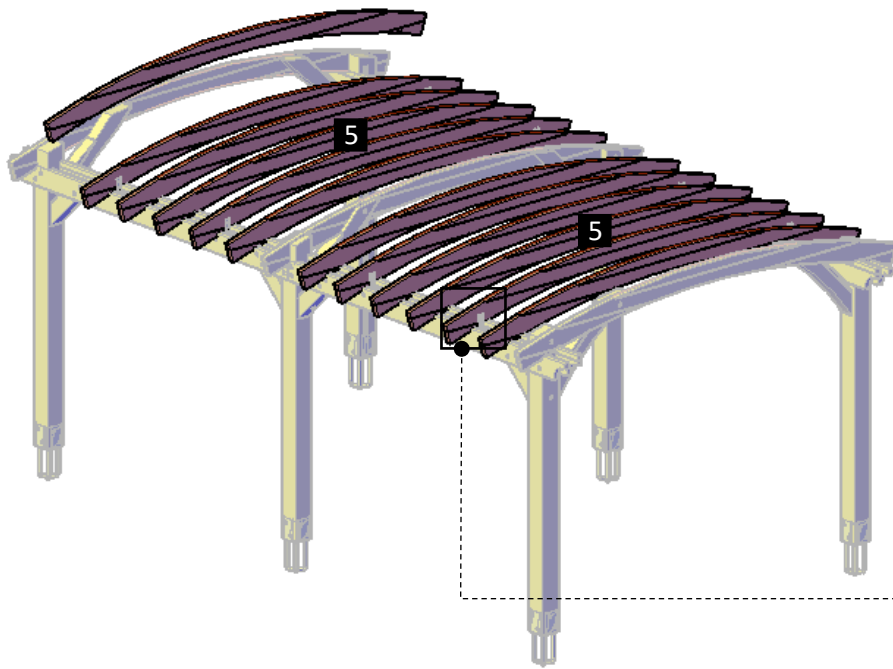
Step 6: Attach the perimeter secondary knee braces (6) to the posts with 3/8" x 8" bolts (B) and to the arched rafters with 5/16" x 6" bolts (H). Attach the central secondary knee braces (6) to the posts with 3/8" x 8" bolts (B) and to the arched rafters with 5/16" x 4 1/2" bolts (I). Each part has a series of numbers that indicate where to attach the part with the corresponding number.



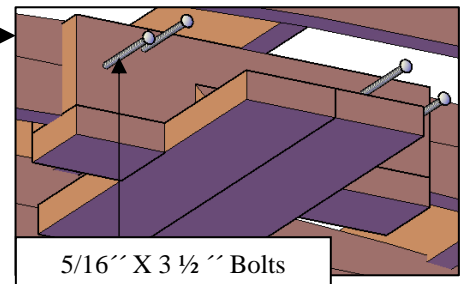
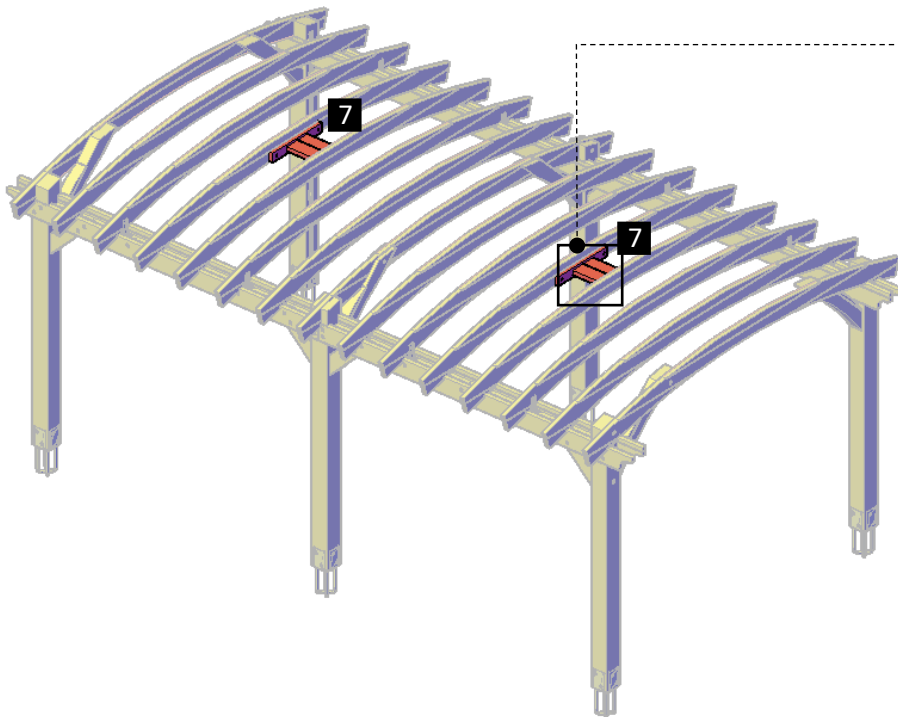
Step 7: Attach the hanger (12) to the in-between blocking with 3/8" x 3 1/2" lag bolts (J). Each part has a series of numbers that indicate where to attach the part with the corresponding number.



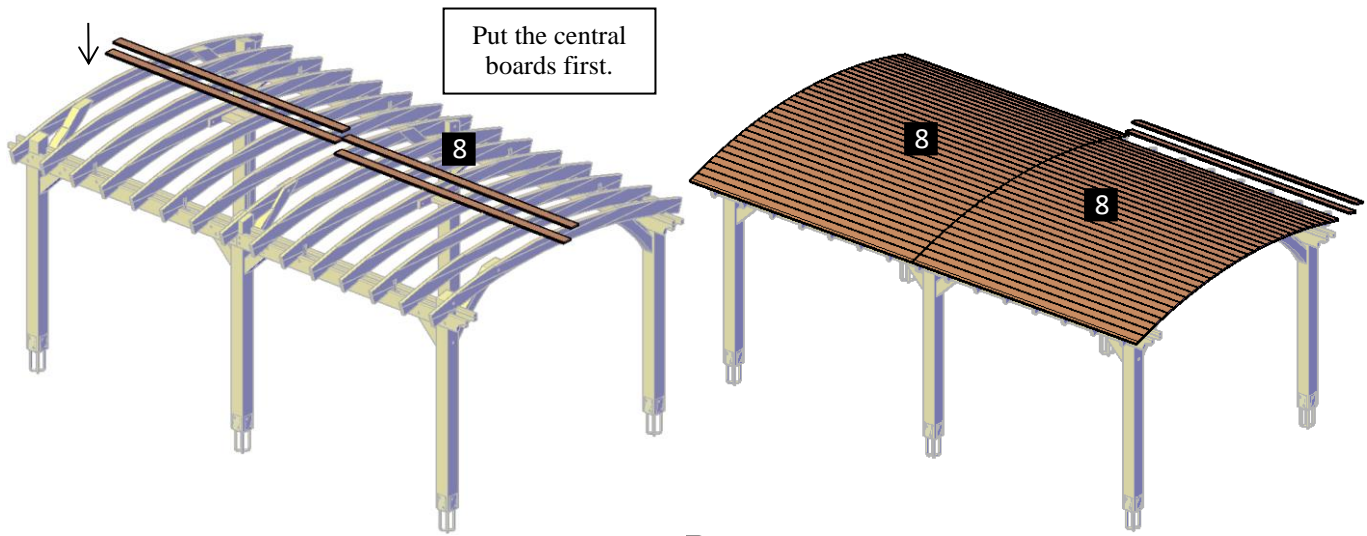
Step 8: Attach the rafters (5) to the hanger with 3/8" x 1 1/2" lag bolts (I) and to the supports with 3" deck screws (G). Each part has a series of numbers that indicate where to attach the part with the corresponding number.



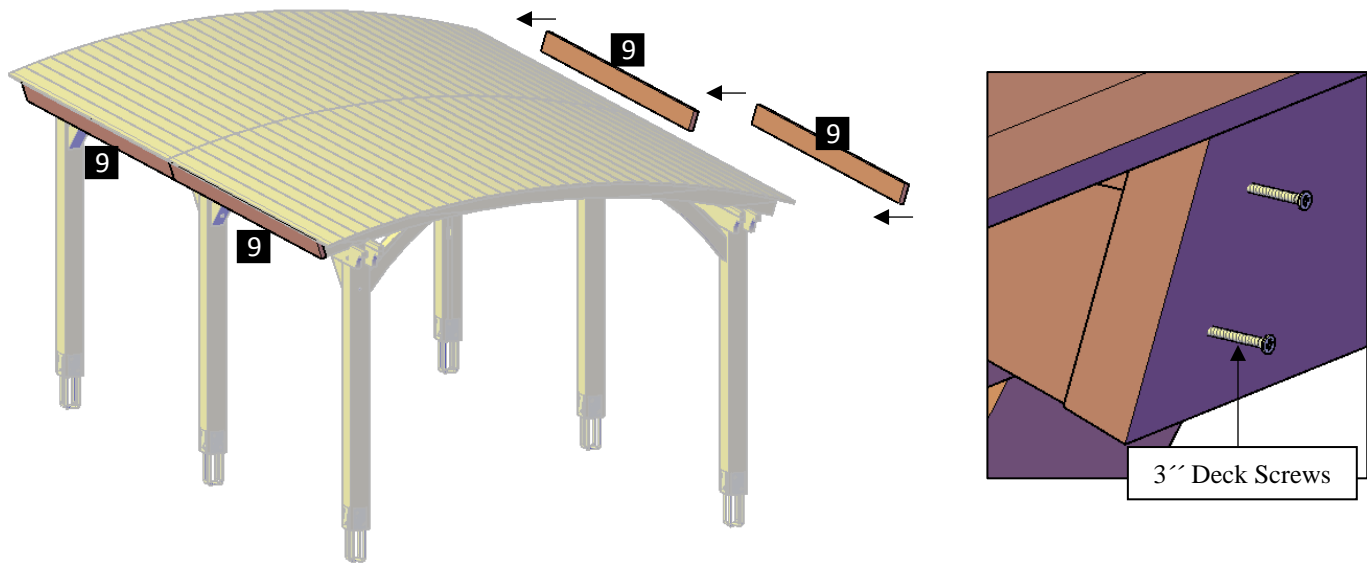
Step 9: Attach the ceiling fan base (7) to the rafters with 5/16" x 3 1/2" lag bolts (L). Each part has a series of numbers that indicate where to attach the part with the corresponding number.



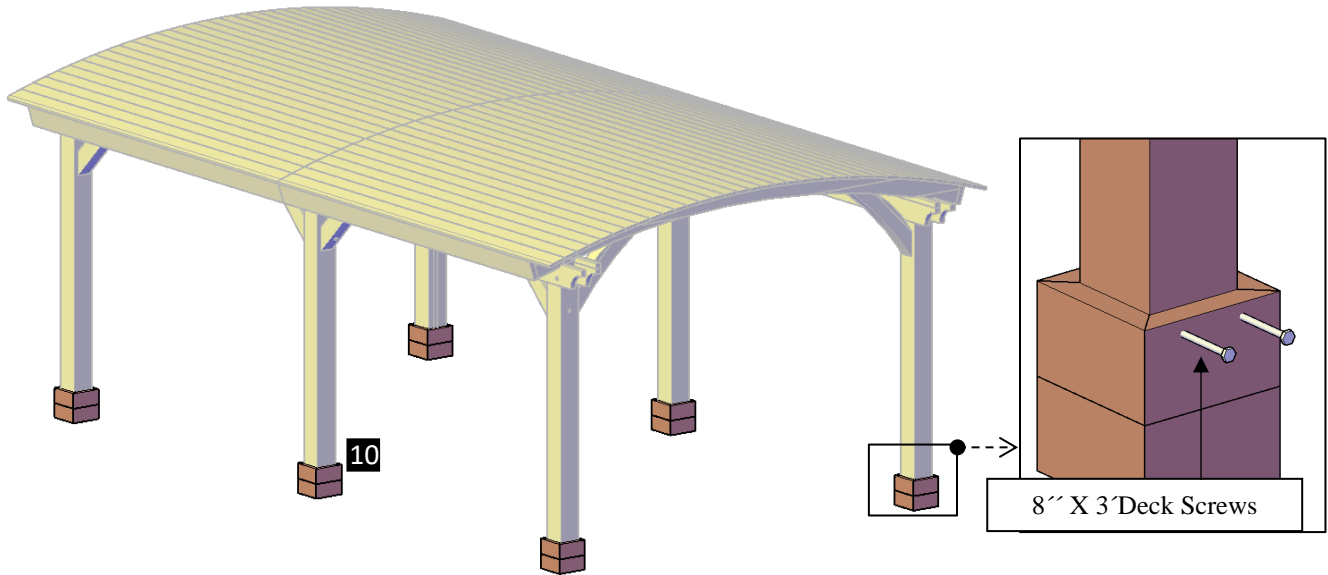
Step 10: Use 1 5/8" deck screws (M) to attach the roof boards (8) to the arched rafters. Each part has a series of numbers that indicate where to attach the part with the corresponding number.



Step 11: Use 3" deck screws (G) to attach the fascia (9) to the rafters. Each part has a series of numbers that indicate where to attach the part with the corresponding number.



Step 12: Finally, attach the boots (10) to the posts with 8'' x 3'' deck screws (G).



This completes the Pavilion assembly. Hope you enjoy your set for many decades. If you ever have a problem or a question, don't hesitate to call us (866 332 2403) or email us. We are here to support you.