



FOREVER REDWOOD

From the Forest, For the Forest since 1995

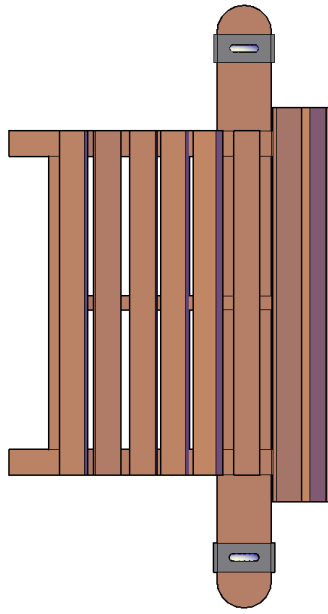
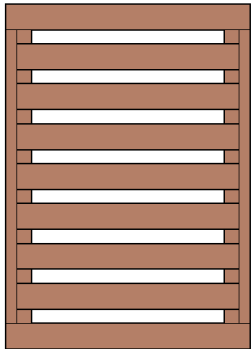
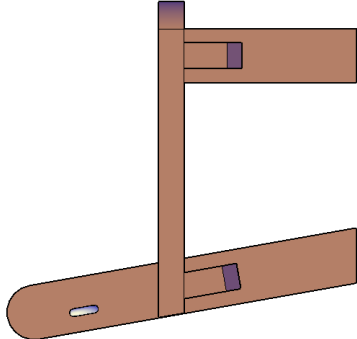
866.332.2403 (TOLL FREE); 7am – 7pm Pacific Time, Monday-Saturday

ASSEMBLY INSTRUCTIONS FOR THE **ARMCHAIR SWINGS (SEATS ONLY)**



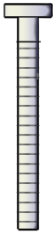
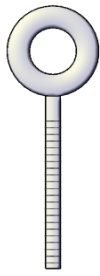





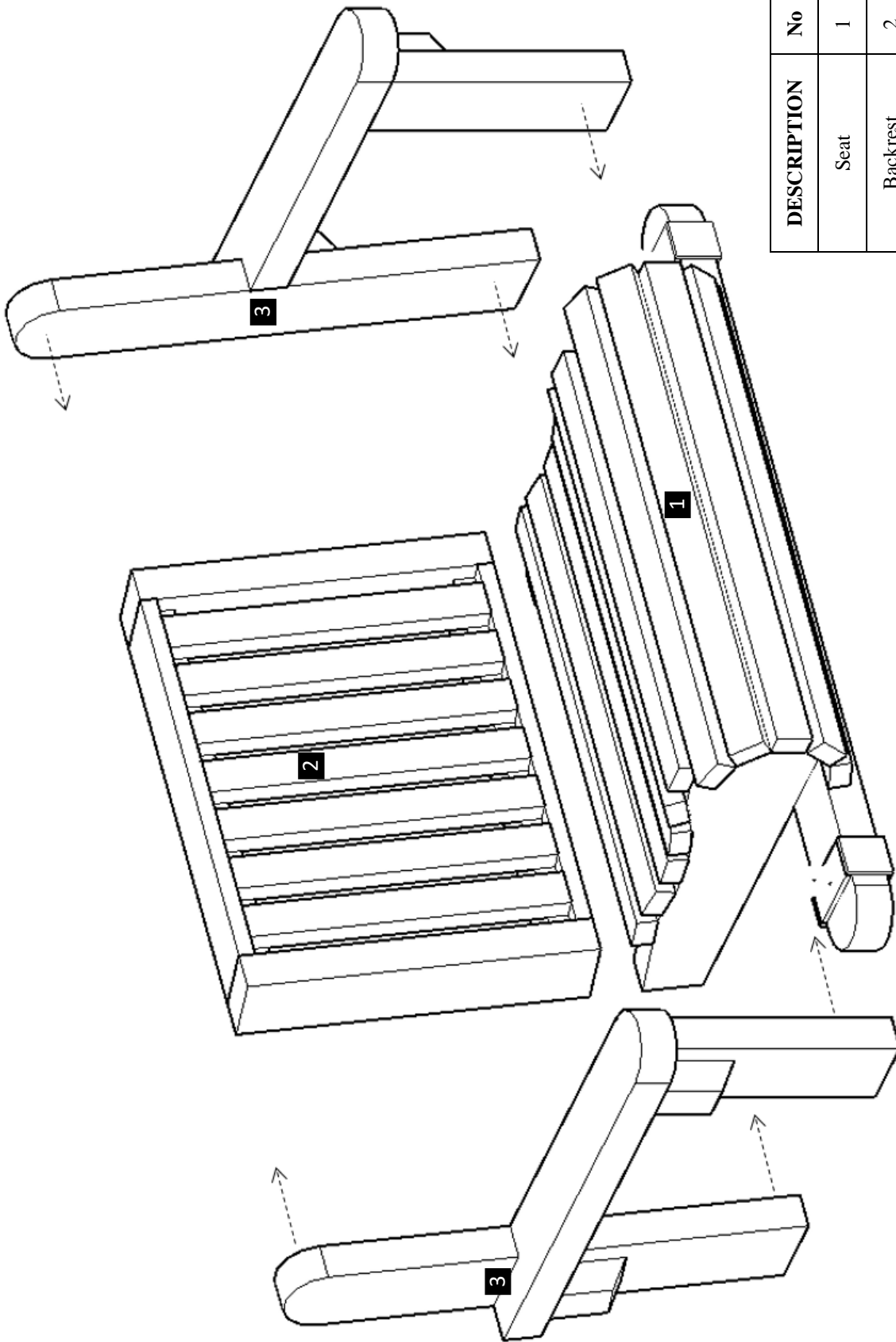
CONTENT OF BOXES

Qty.	Description	Drawing	No.
1	Seat		1
1	Backrest		2
2	Armrest		3

Note: Part numbers in the Content of Boxes Table are for reference only. These do not match to the numbers marked on the parts sent.

HARDWARE LIST

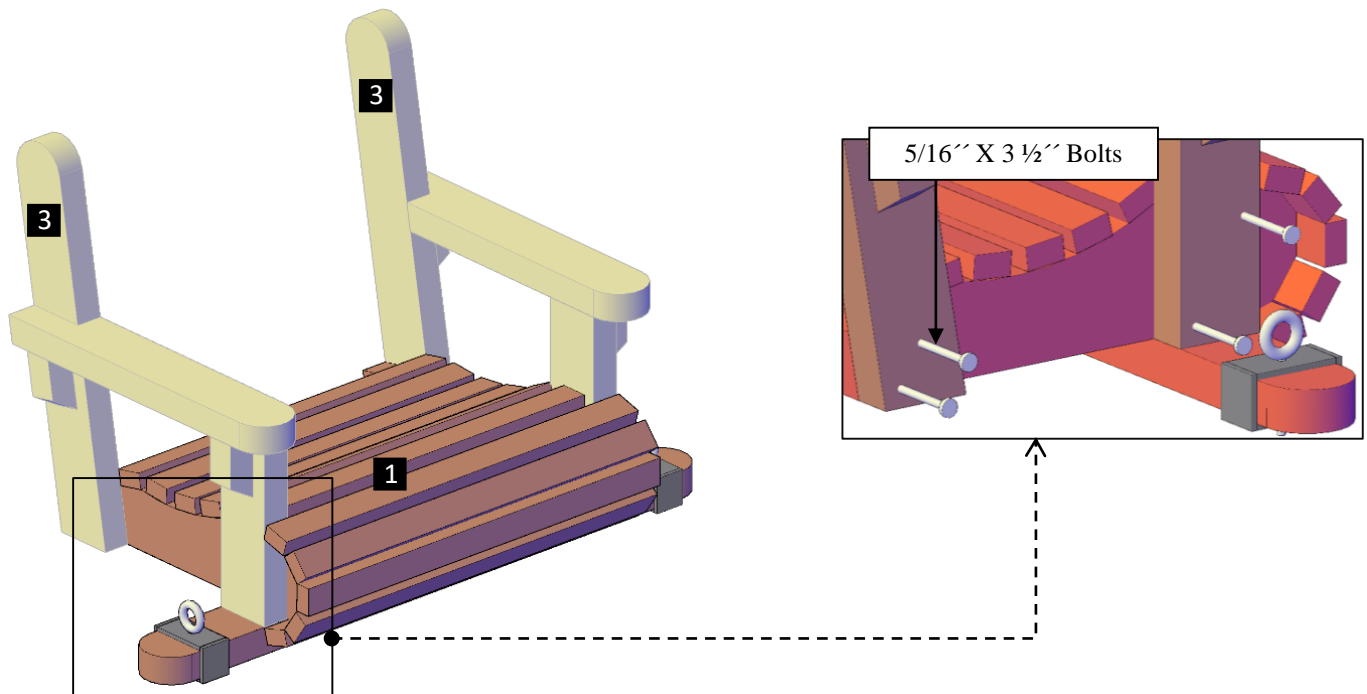
Description	Drawing	No.
5/16" X 3 1/2" Bolts (To attach the seat and the backrest to the armrest).		A
3/8" X 4" Eyebolts (To attach the backrest to the armrest).		B
Quick Links		C
Springs		D
Chains		E



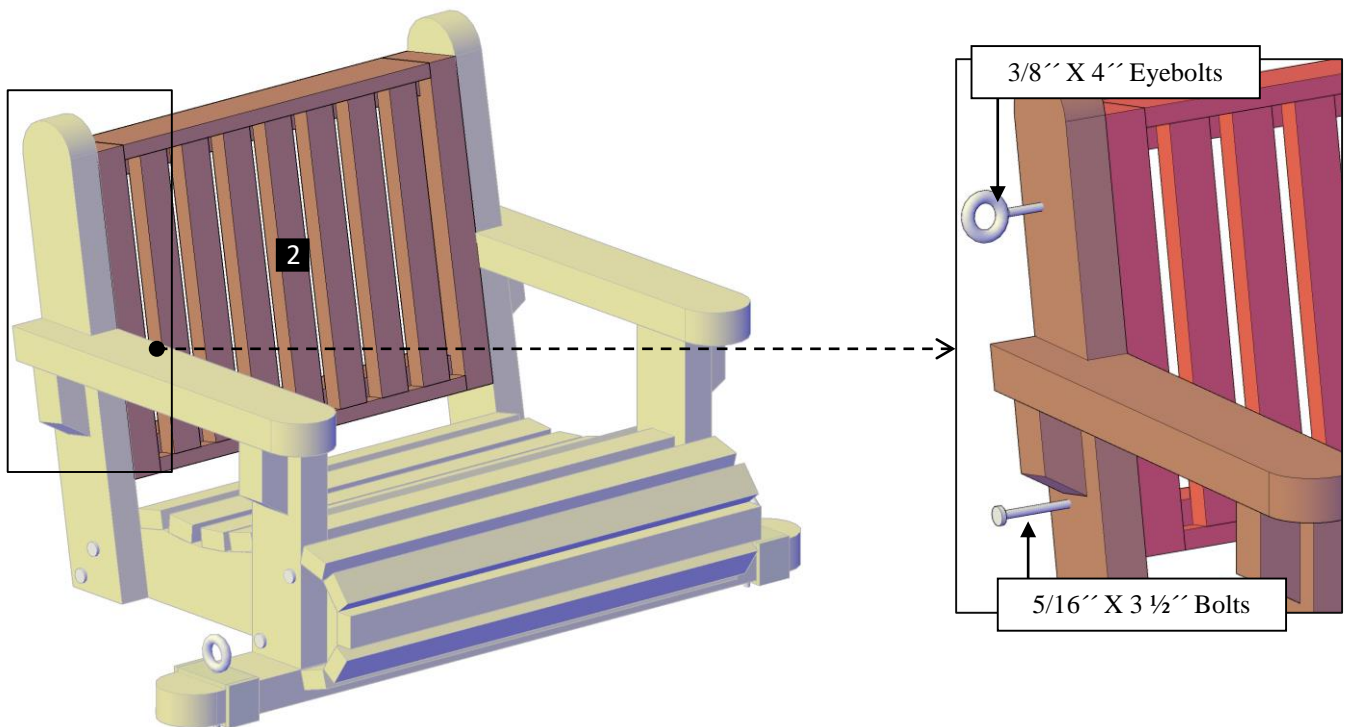
DESCRIPTION	No
Seat	1
Backrest	2
Armrest	3

Note: Part numbers in the Drawing are for reference only. These do not match to the numbers marked on the parts sent.

Step 1: Attach the seat (1) to the armrest (3) with 5/16" x 3 1/2" bolts (A). Each part has a series of numbers that indicate where to attach the part with the corresponding number.



Step 2: Attach the backrest (2) to the armrest with 5/16" x 3 1/2" bolts (<) and 3/8" x 4" eyebolts (I). Each part has a series of numbers that indicate where to attach the part with the corresponding number.



Step 3: Finally, put the Quick Links (C) and the Springs (D) in the hanger's support. After that, put the chains (E). Take a few minutes to adjust the chain height to your preference.



This completes the Armchair Swing assembly. Hope you enjoy your set for many decades. If you ever have a problem or a question, don't hesitate to call us (866 332 2403) or email us. We are here to support you.