

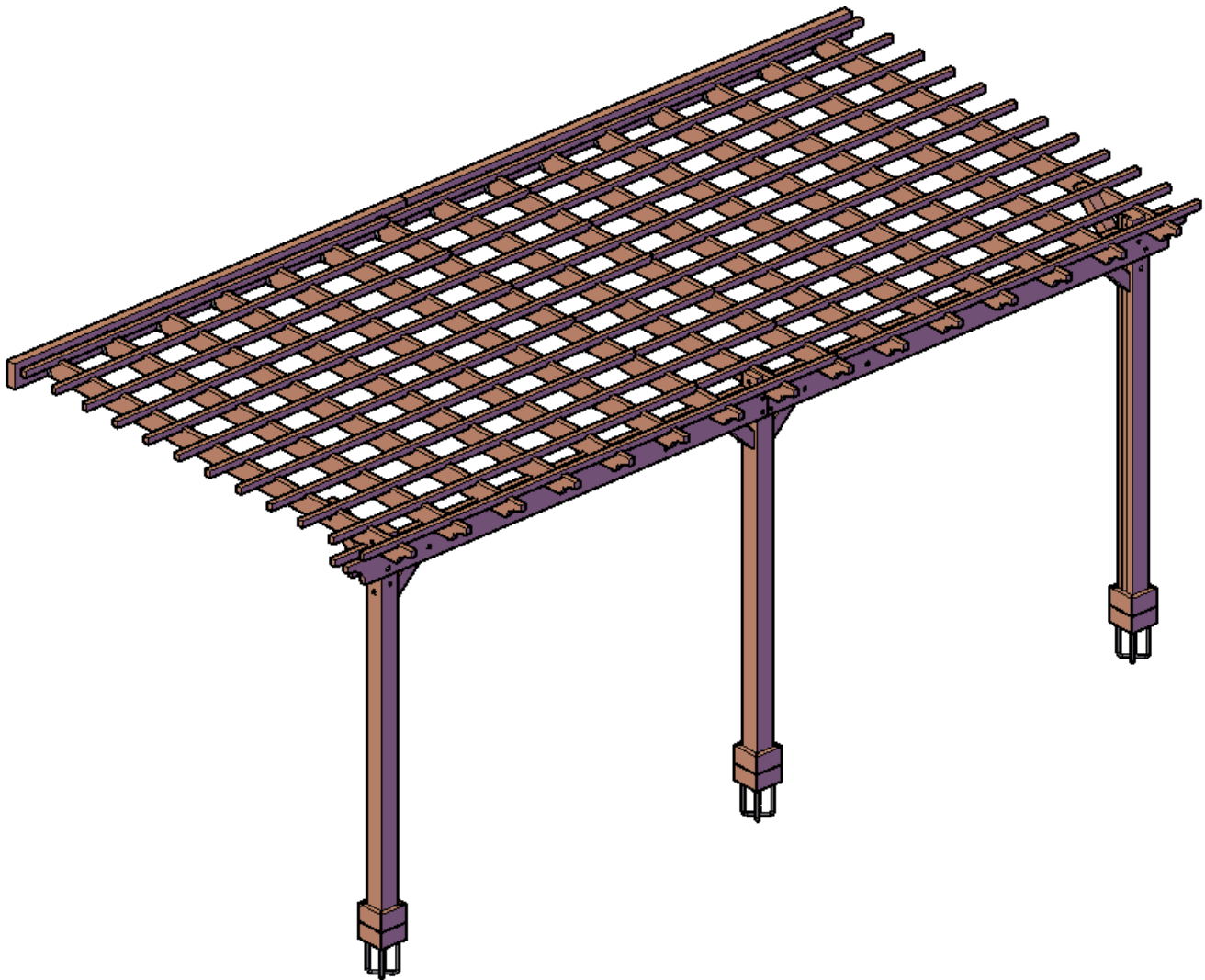


FOREVER REDWOOD

From the Forest, For the Forest since 1995




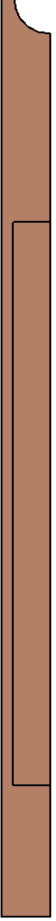

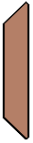
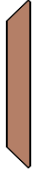
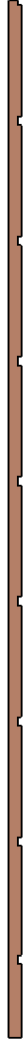



866.332.2403 (TOLL FREE); 7am – 7pm Pacific Time, Monday-Saturday

ASSEMBLY INSTRUCTIONS FOR THE ATTACHED GARDEN PERGOLAS BY SUPPORT SIDE






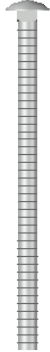



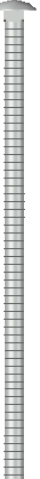

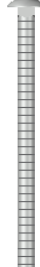


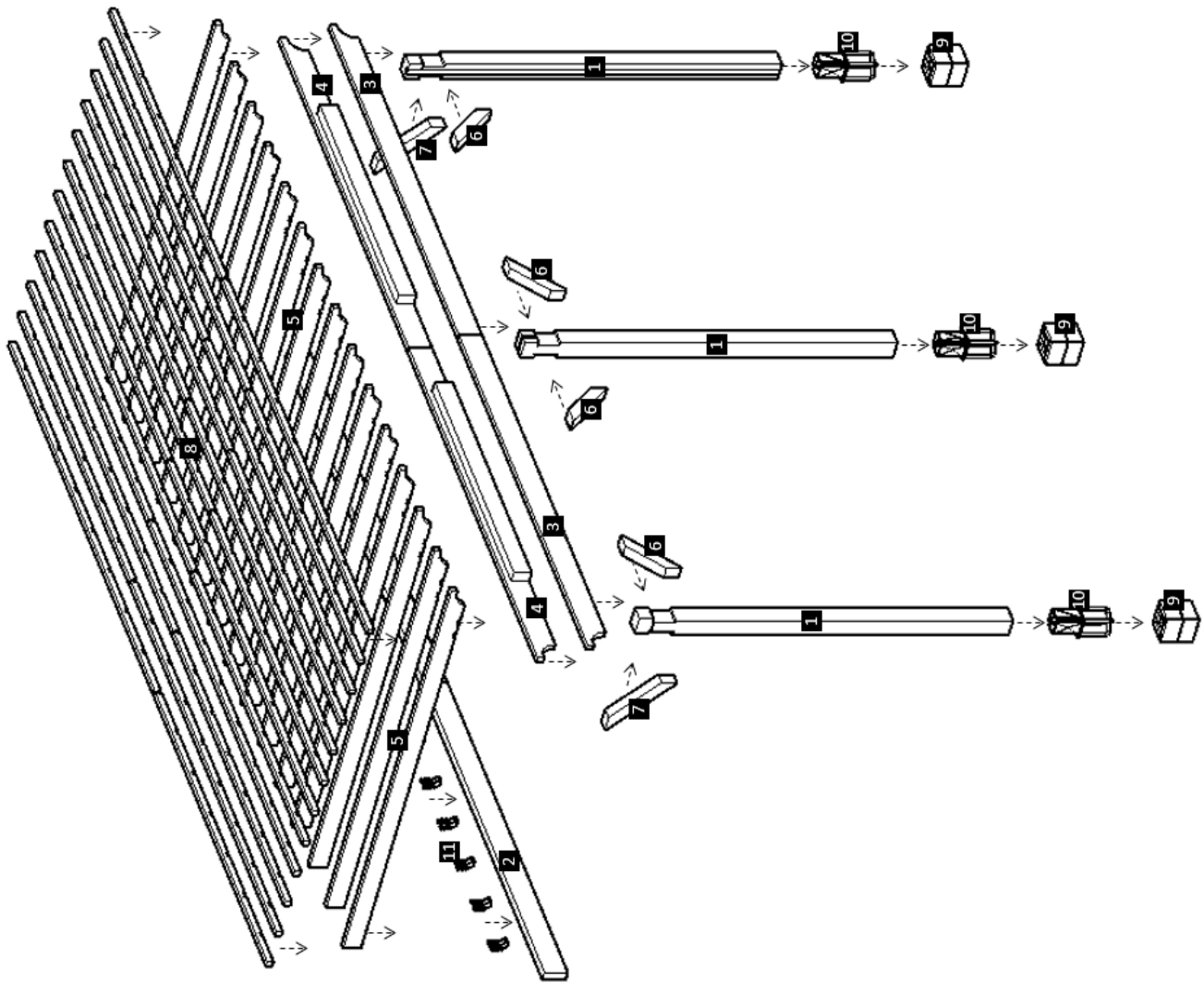
CONTENT OF BOXES

Qty.	Description	Drawing	No.
3	Posts		1
2	Ledger Board		2
2	Single Supports		3
2	Supports with In-Between Blocking		4
15	Rafters		5
4	Main Knee Braces		6
2	Secondary Knee Braces		7
24	Slats		8
3	Boots		9
3	Anchor Bases		10
15	Joist Hangers		11

Note: Part numbers in the Content of Boxes Table are for reference only. These do not match to the numbers marked on the parts sent.

CONTENT OF BOXES

Qty.	Description	Drawing	No.
12	3/8'' x 3'' Lag Bolts (To attach the anchor bases to the posts).		A
14	1/2'' x 4'' Anchor Bolts (To attach the ledger boards to the wall).		B
180	2'' Deck Screws (To attach the joist hangers to the ledger boards. / To attach the rafters to the joist hangers).		C
16	3/8'' x 6 1/2'' Bolts (To attach the supports to the posts. / To attach the supports together. / To attach the main knee braces to the supports).		D
2	3/8'' x 6'' Bolts (To attach the perimeter rafters to the posts).		E
240	3'' Deck Screws (To attach the rafters to the supports. / To attach the slats to the rafters. / To attach the boots to the posts).		F
1	3/8'' x 5 1/2'' Bolt (To attach the central rafter to the central posts).		G
4	3/8'' x 9'' Bolts (To attach the knee braces to the posts).		H
1	3/8'' x 13'' Bolt (To attach the main knee braces to the central post)		I
2	5/16'' x 5'' Bolts (To attach the secondary knee braces to the perimeter rafters).		J

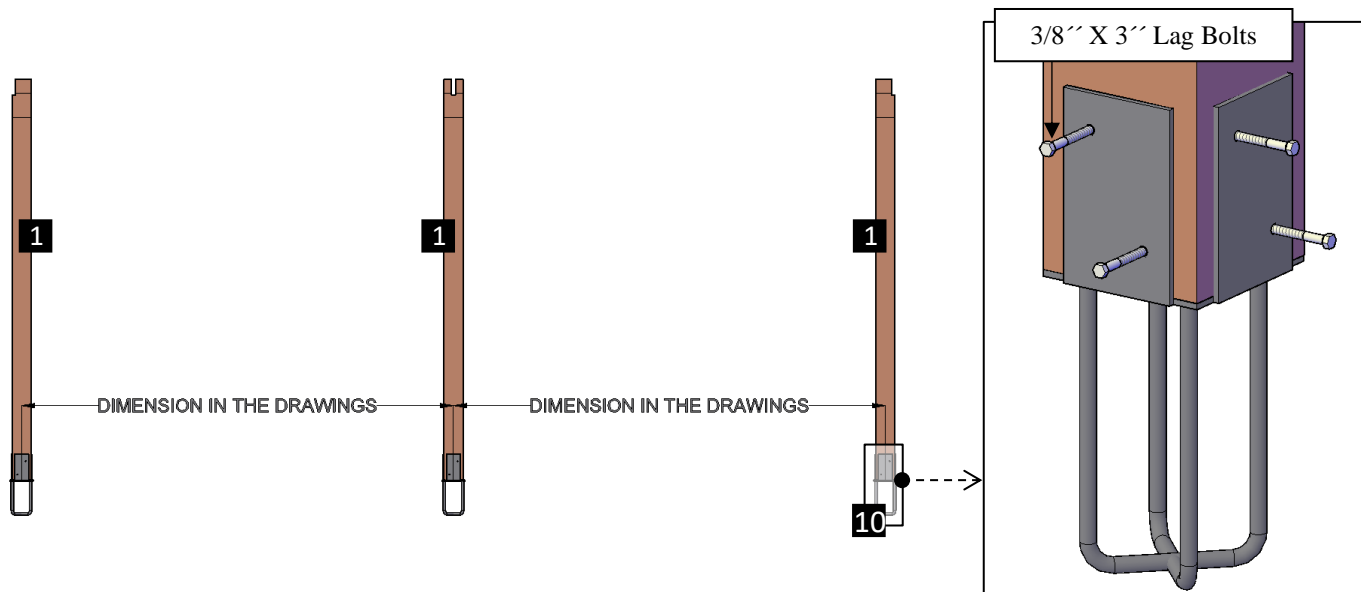


DESCRIPTION	No
Posts	1
Ledger Board	2
Single Supports	3
Supports with In-Between Blocking	4
Rafters	5
Main Knee Braces	6
Secondary Knee Braces	7
Slats	8
Boots	9
Anchor Bases	10
Joist Hangers	11

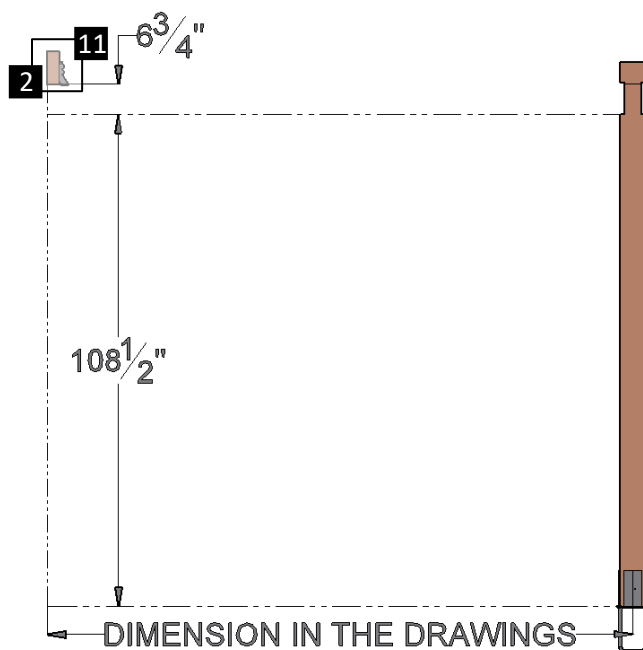
Note: Part numbers in the Drawing are for reference only. These do not match to the numbers marked on the parts sent.

NOTE: In order to know where the post needs to be placed, check the numbers on them. If the post is not marked, then place the single Supports on the ground to locate the markings for each post position and clearly set your bearings. (“Don’t attach yet, only place them on the ground to begin with”).

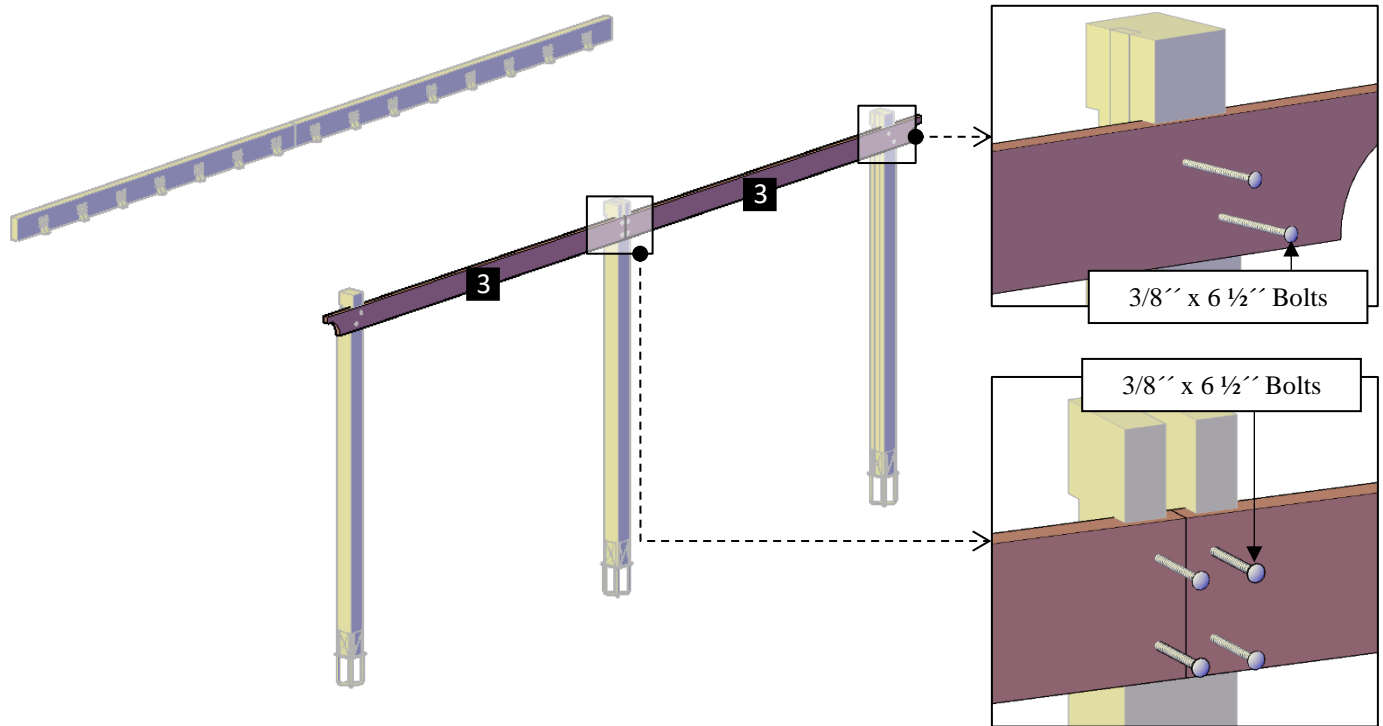
Step 1: Install the anchor bases (10). Please see the “How to anchor your pergola document” for all details. Set your post (1) in the saddle of the anchor bases. Drill a $\phi 7/16''$ hole in the post prior to anchoring to facilitate the ratcheting of the hardware. After that, use a 3/8'' X 3'' lag bolts (A) to attach each post to its respective anchor base.



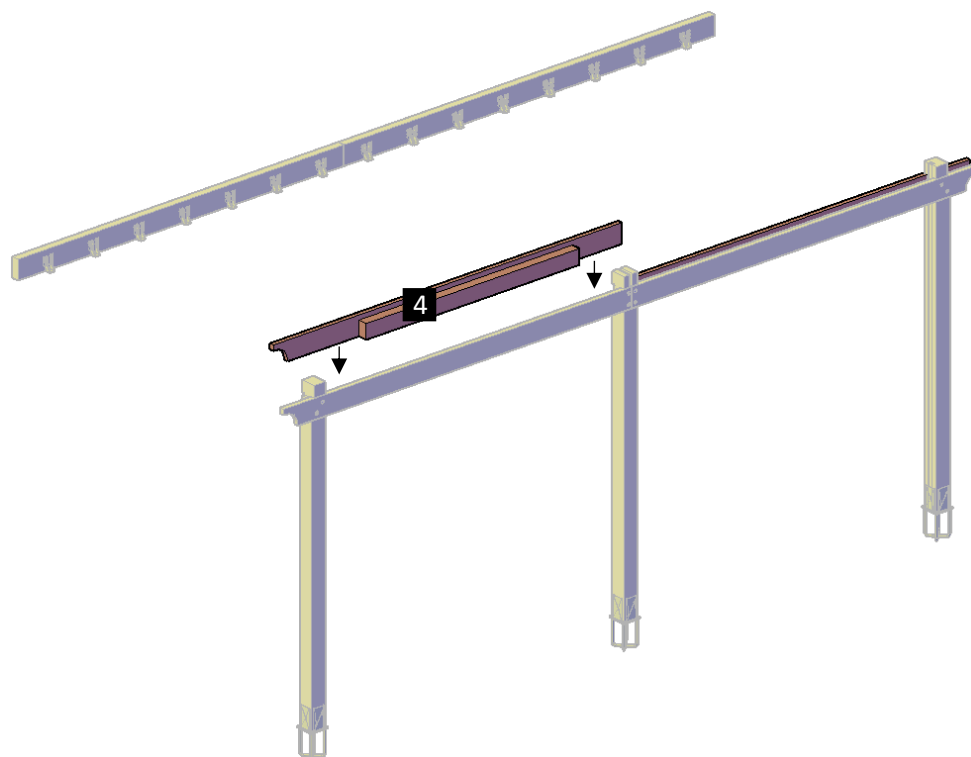
Step 2: Use 1/2'' x 4'' anchor bolts (B) to attach the ledger board (2), the wall. After that attach the joist hangers (11) to the ledger board with 2'' deck screws (C). Each part has a series of numbers that indicate where to attach the part with the corresponding number.



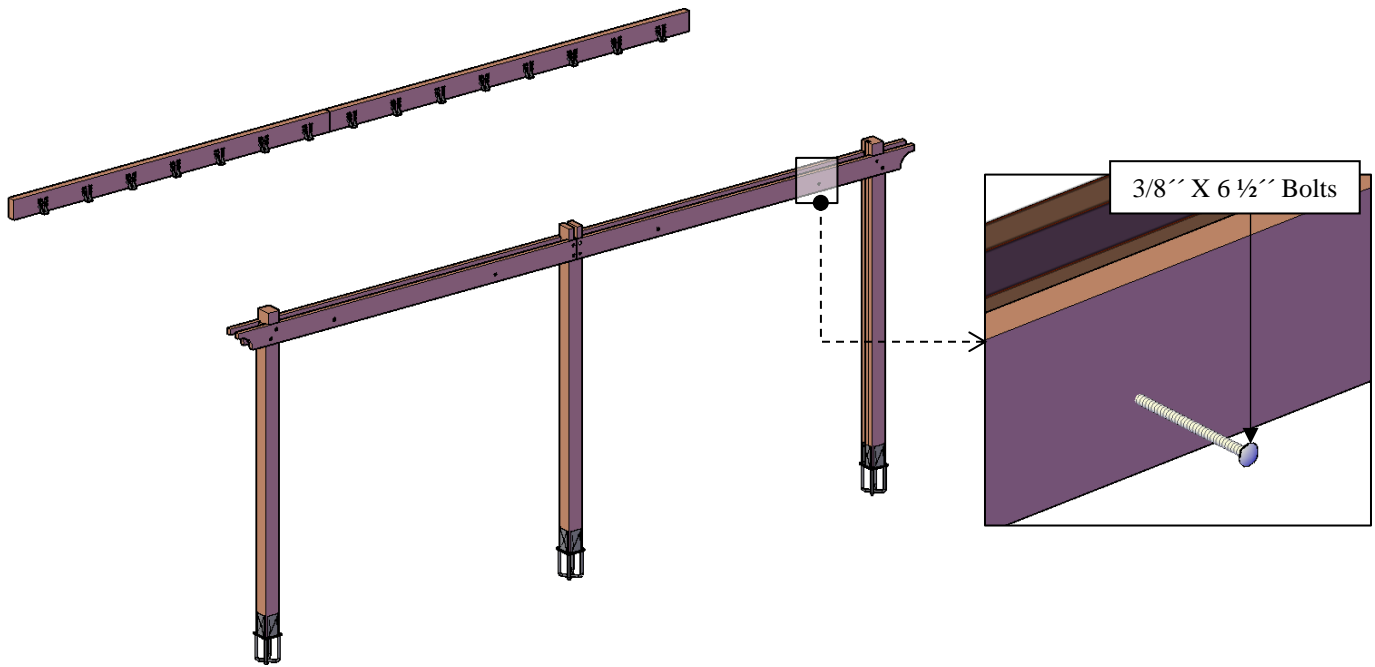
Step 3: Attach the supports (3) to the posts with 3/8" x 6 1/2" Bolts (D). Each part has a series of numbers that indicate where to attach the part with the corresponding number.



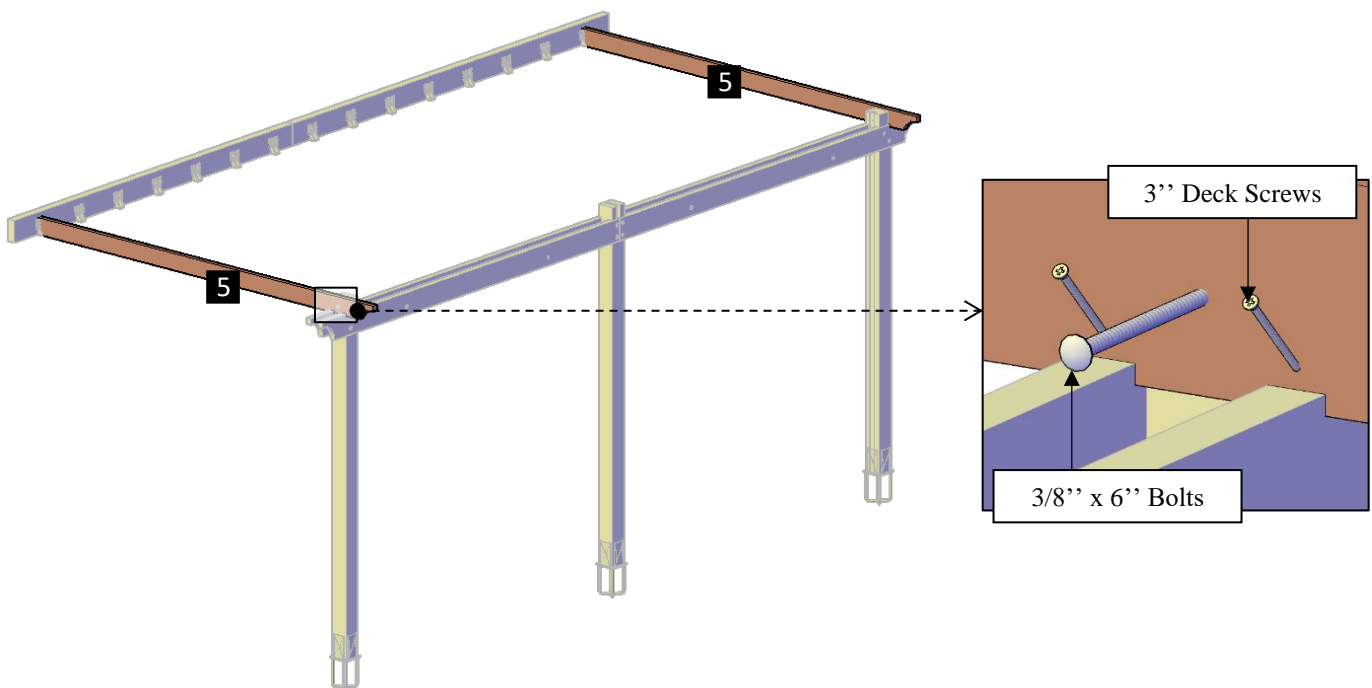
Step 4: Put up the supports with in-between blocking (4), into the post notches as shown and attach to the posts with the single support bolts. Each part has a series of numbers that indicate where to attach the part with the corresponding number.



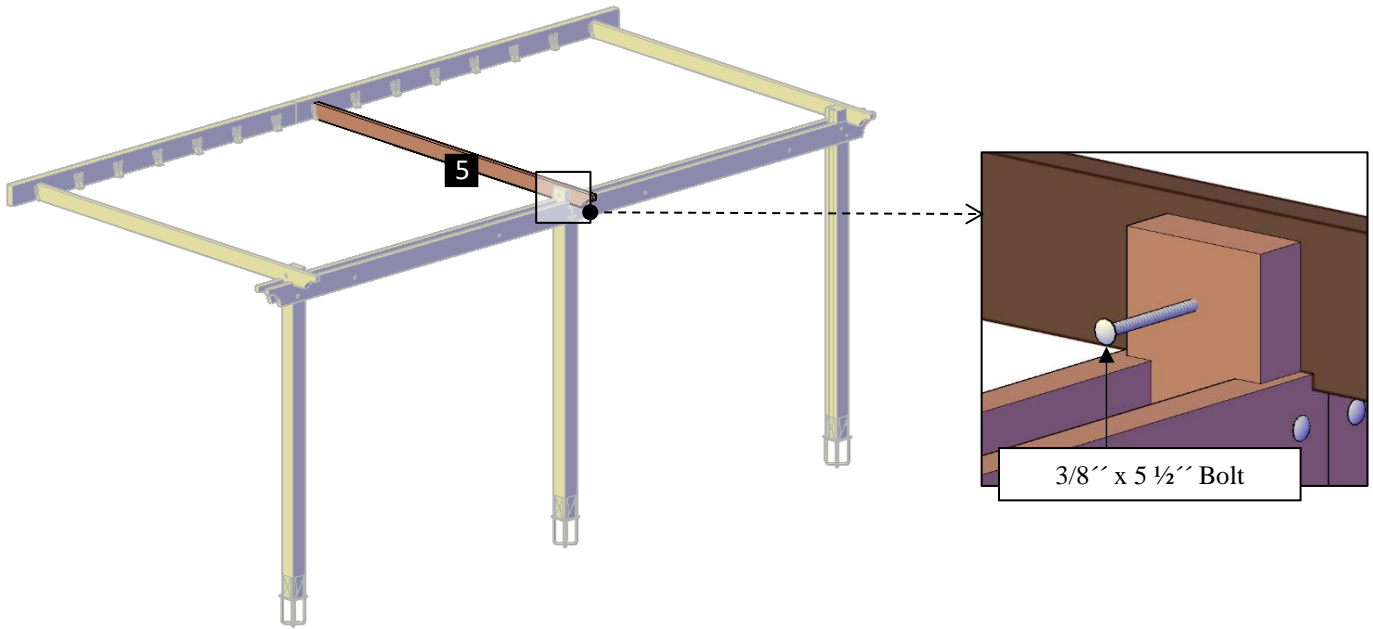
Step 5: Attach the single supports to the supports with in-between blocking, use 3/8" X 6 1/2" bolts (D).



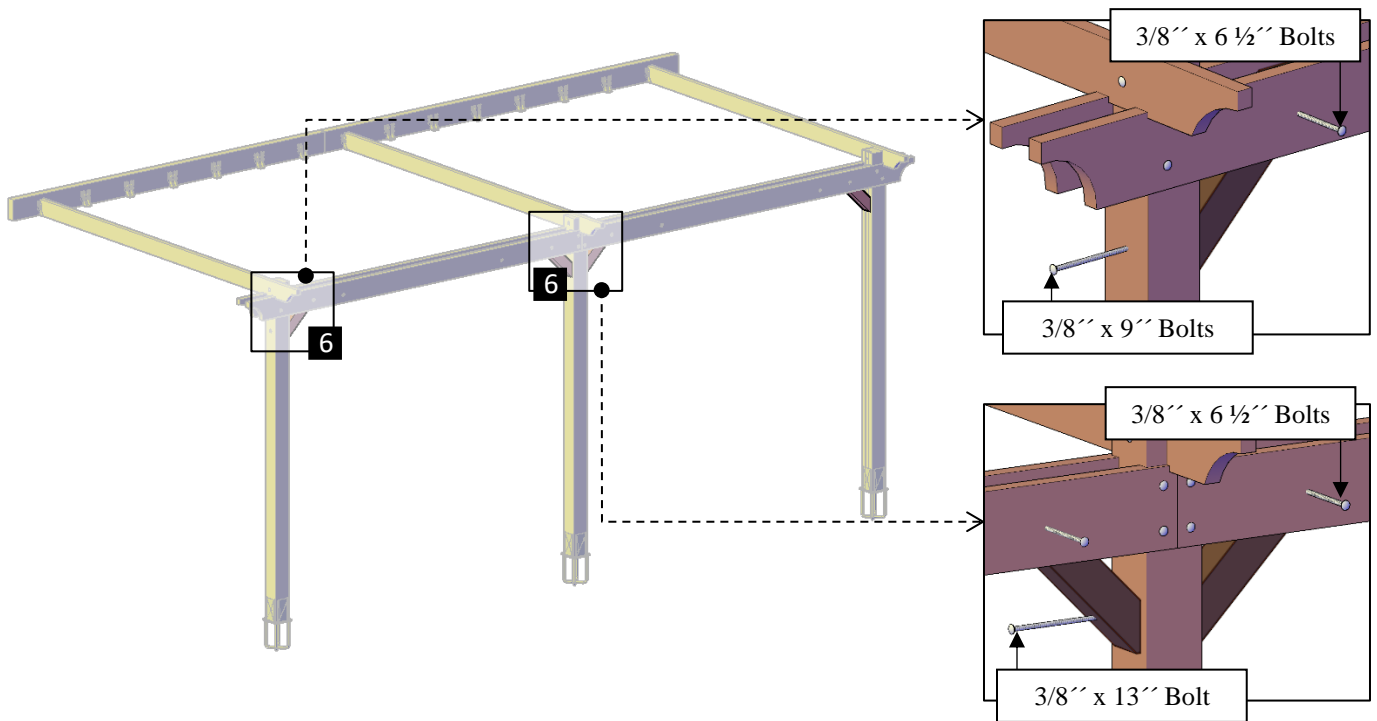
Step 6: Use 3/8" x 6" bolts (E) to attach the perimeter rafters (5) to the posts and 2" deck screws to attach to the joist hangers. After that, attach to the supports with 3" deck screws (F). Each part has a series of numbers that indicate where to attach the part with the corresponding number.



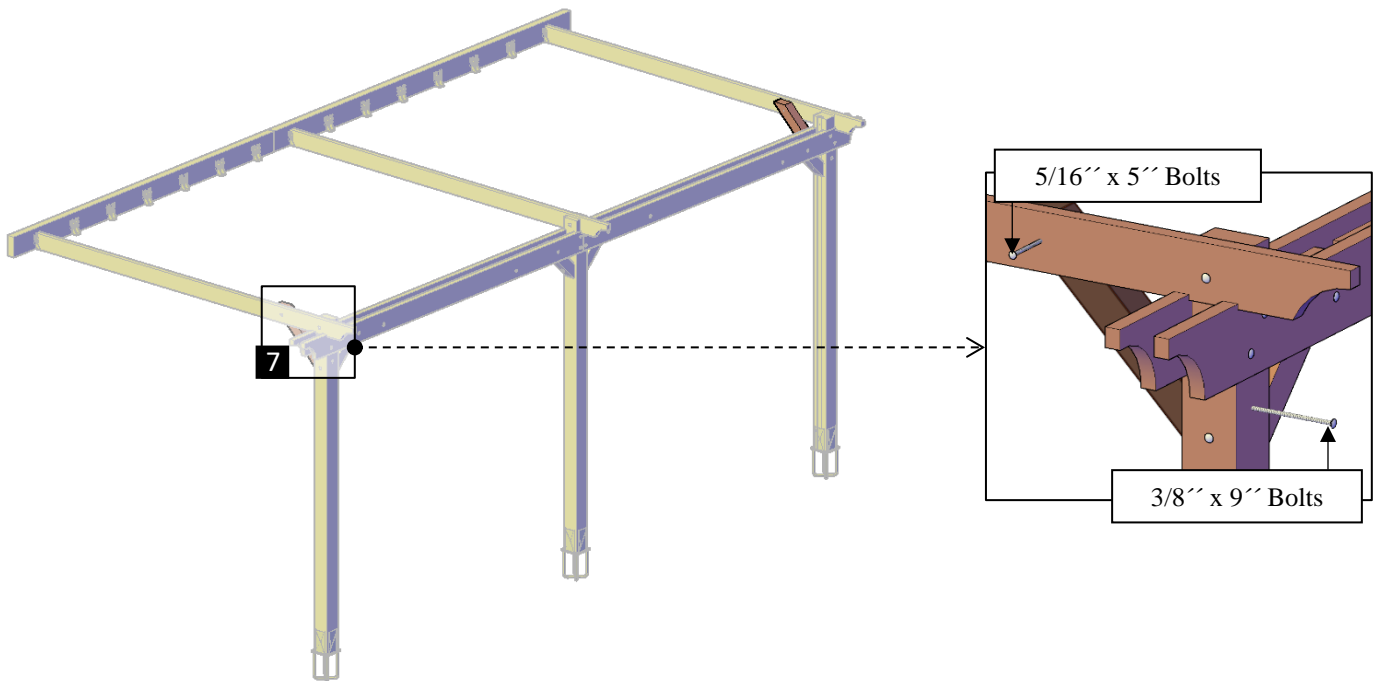
Step 7: Use 3/8" x 5 1/2" bolt (G) to attach the central rafter (5) to the central post and 2" deck screws to attach to the joist hanger. Each part has a series of numbers that indicate where to attach the part with the corresponding number.



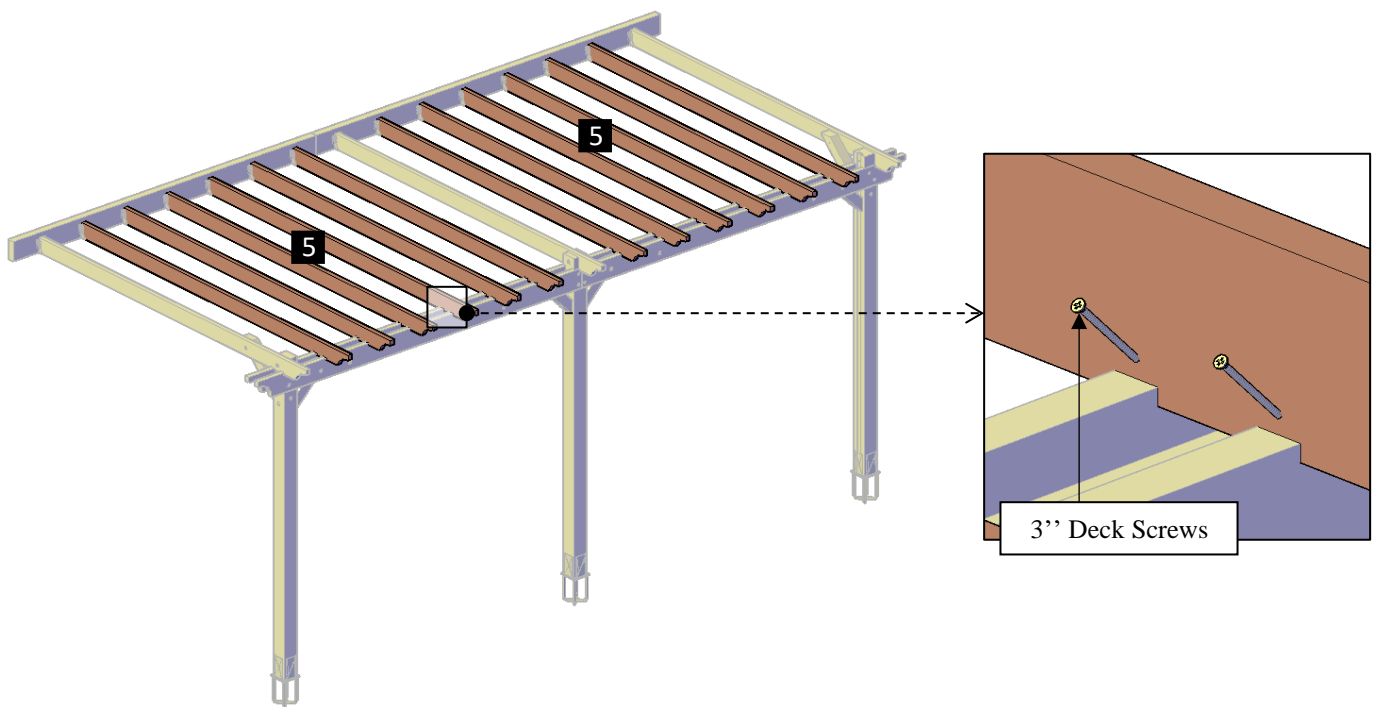
Step 8: Attach the main knee braces (6) to the supports with 3/8" x 6 1/2" bolts (D). After that, attach to the perimeter posts with 3/8" x 9" bolts (H) and to the central post with 3/8" x 13" bolt (I). Each part has a series of numbers that indicate where to attach the part with the corresponding number.



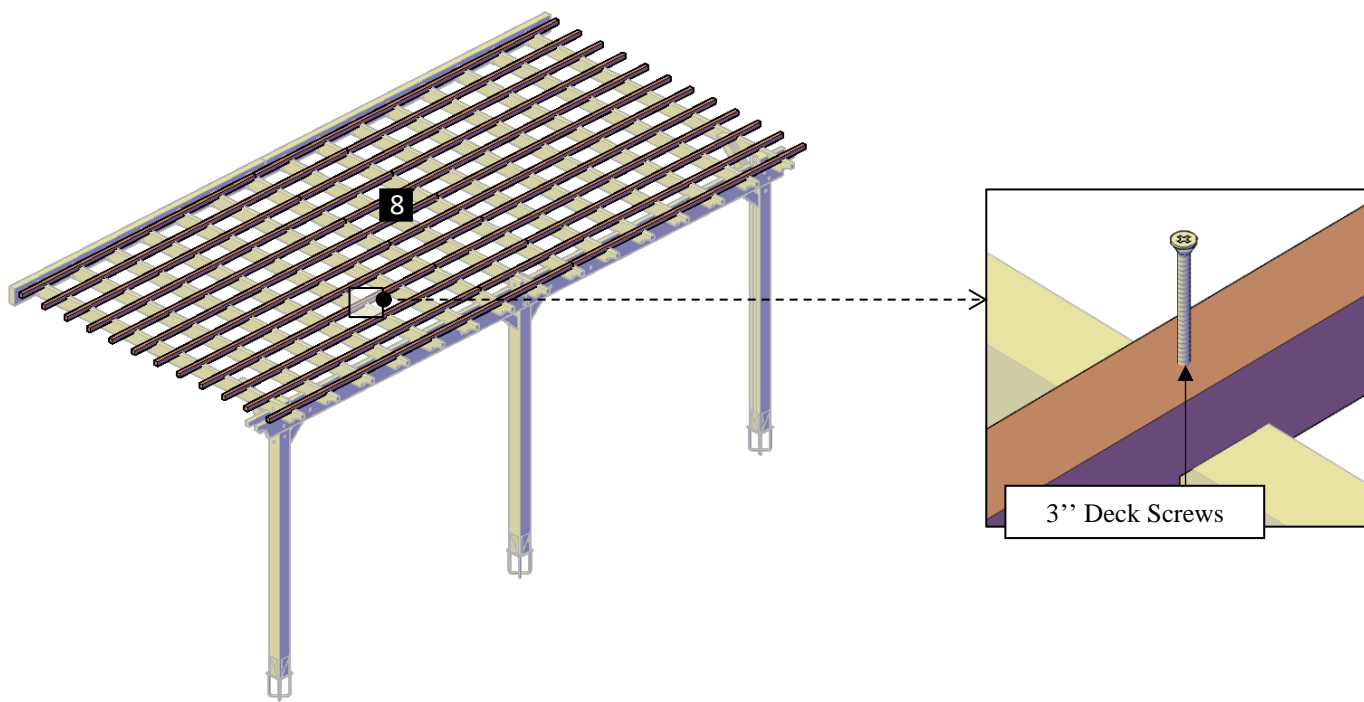
Step 9: Attach the secondary knee braces (7) to the rafters with 5/16" x 5" bolts (J) and to the posts with 3/8" x 9" bolts (H). Each part has a series of numbers that indicate where to attach the part with the corresponding number.



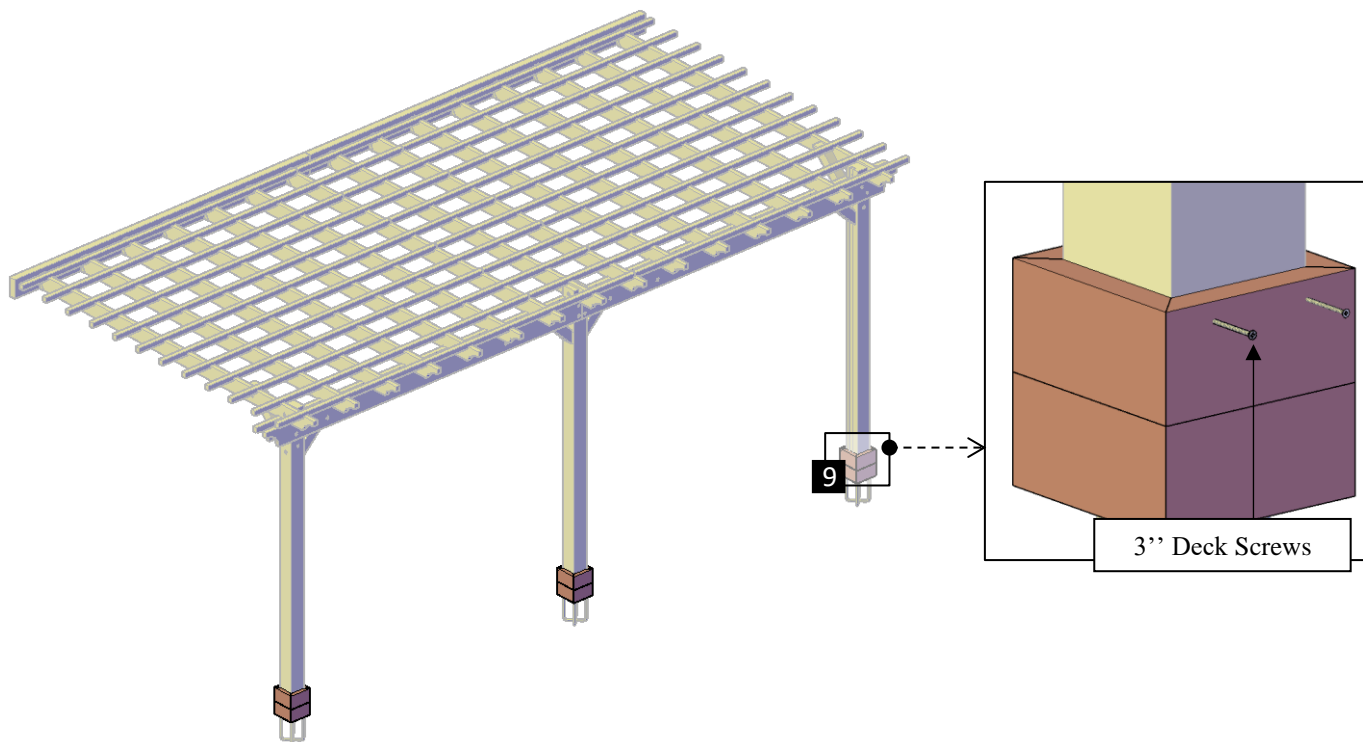
Step 10: Attach the rafters (5) to the supports with 3" deck screws (F) and to the joist hangers with 2" deck screws (C). Each part has a series of numbers that indicate where to attach the part with the corresponding number.

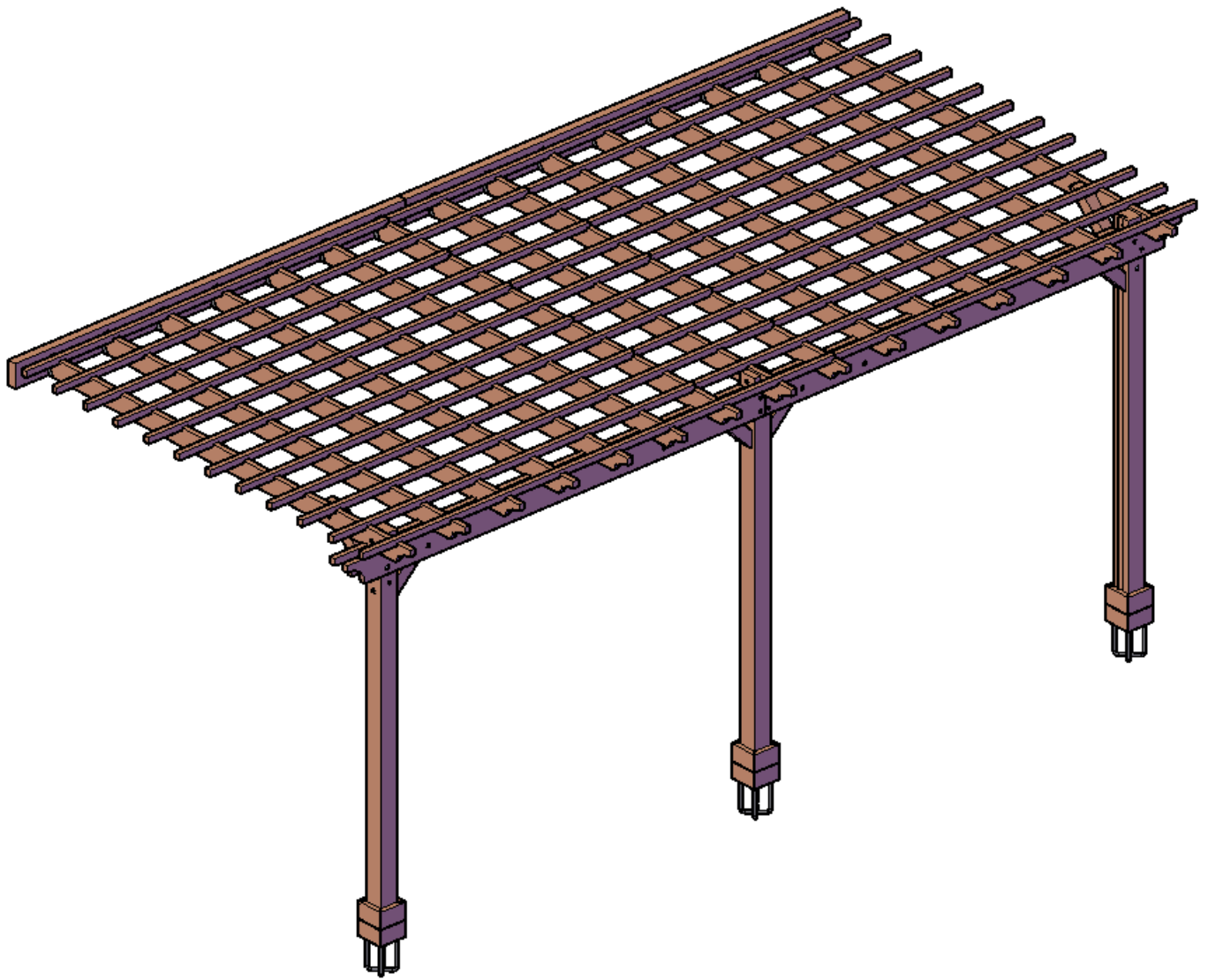


Step 11: Attach the slats (8) to the rafters with 3" deck screws (F). Each part has a series of numbers that indicate where to attach the part with the corresponding number.



Step 12: Finally, use 3" Deck Screws (F) to attach the boots (9) to the posts. Each part has a series of numbers that indicate where to attach the part with the corresponding number.





This completes the Pavilion assembly. Hope you enjoy your set for many decades. If you ever have a problem or a question, don't hesitate to call us (866 332 2403) or email us. We are here to support you.