



FOREVER REDWOOD

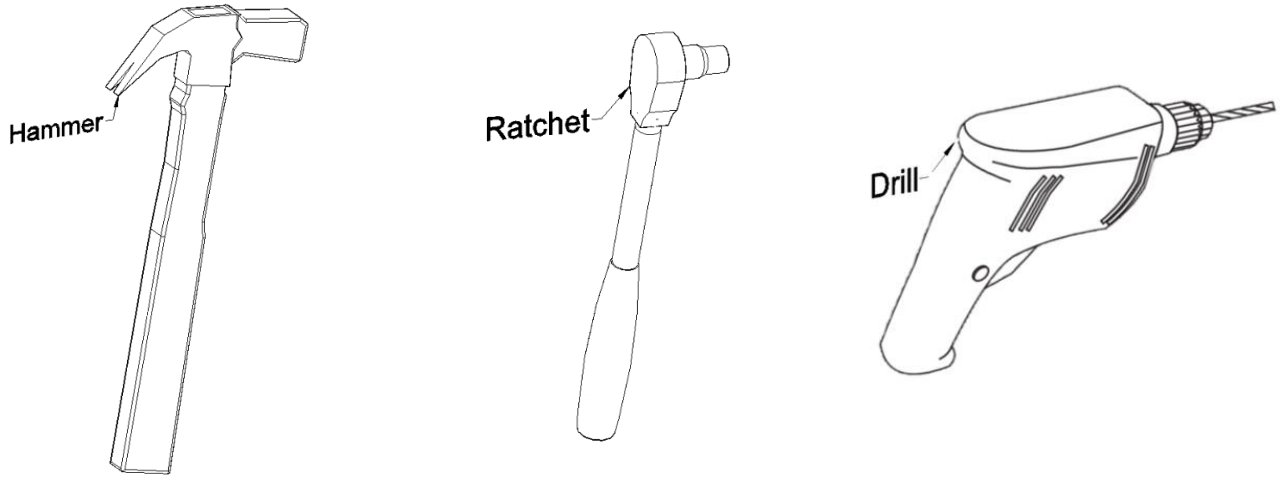
From the Forest, For the Forest since 1995

866.332.2403 (TOLL FREE); 7am – 7pm Pacific Time, Monday-Saturday

ASSEMBLY INSTRUCTIONS FOR ATTACHED TO BUILDING VERSION OF THE MODERN FAT TIMBER PERGOLA

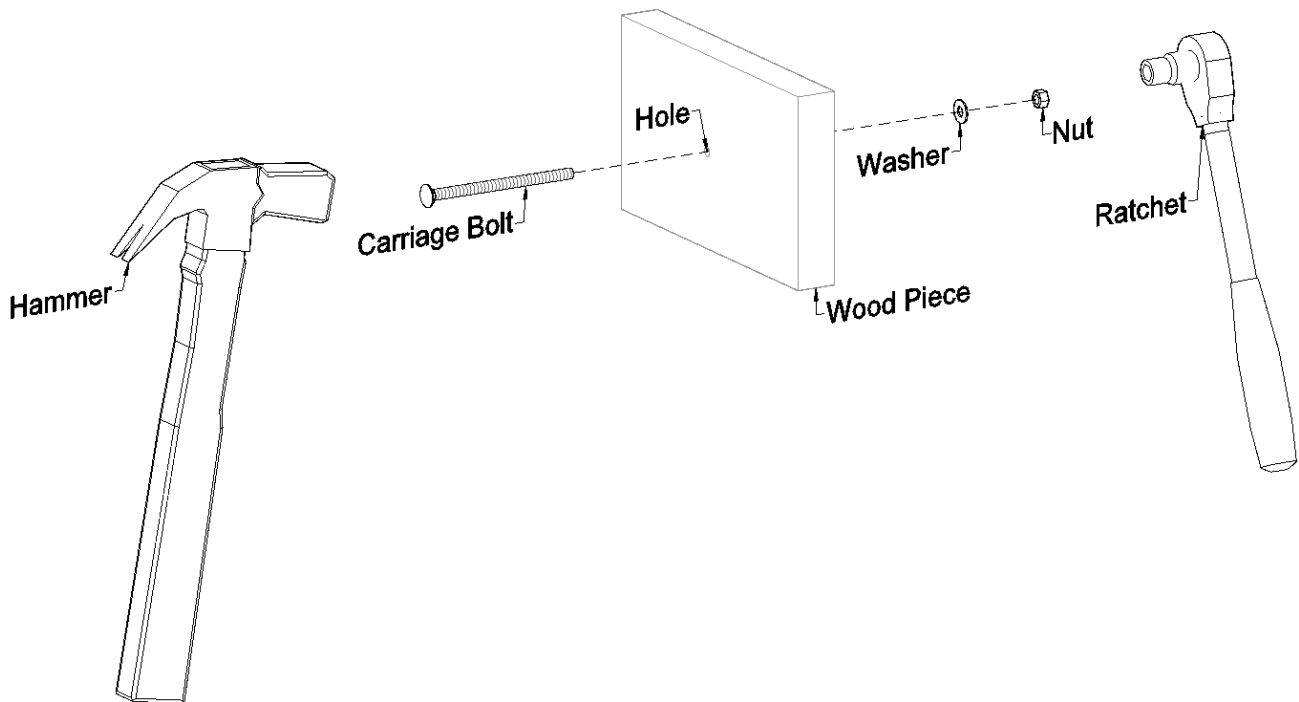


NOTE: Assembly is best done by two people. To assemble your product, you need a Hammer, a Ratch or a wrench and if required a Drill.

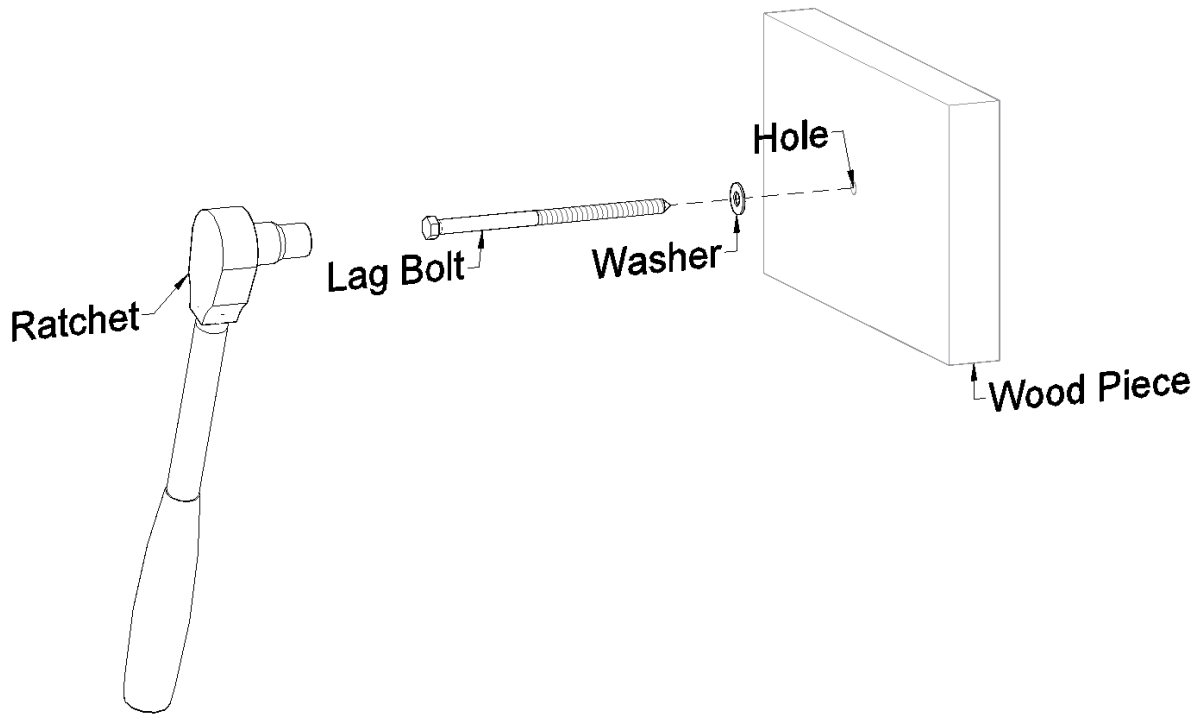


Required Tools (Are not included in your hardware packing).

PROCESS TO INSTALL THE HARDWARE PROVIDED.



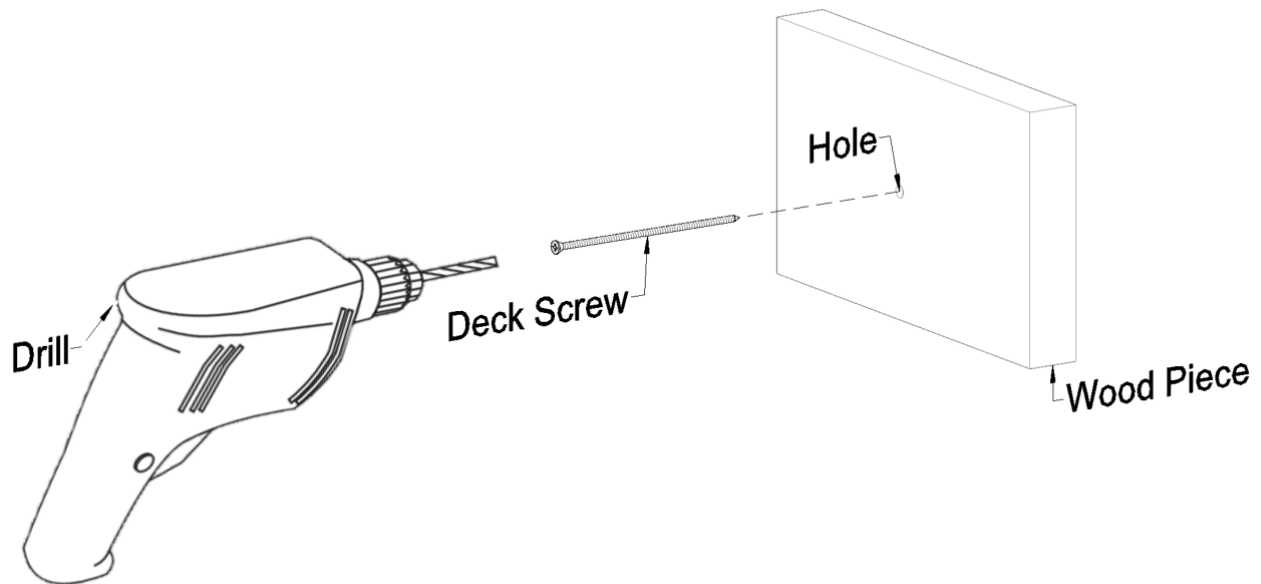
To install the bolts.
Insert the carriage bolts into the holes and lightly tap with a hammer until the square neck fit in the wood piece and the bolt head must flush with the wood piece. Finally, place the washer and the nut and carefully tighten it using a ratchet with the necessary socket or a wrench.



To install the lag bolts.

Place the washers in their lag bolts. After that, insert the lag bolts into the holes and carefully tighten it using a **ratchet** with the necessary **socket**.

Use the washers only for the Wood Pieces.



To install the deck screws.

Insert the deck screws into the holes and carefully tighten it using a drill.






CONTENT OF BOXES	
Description	Drawing
Posts	
Ledger Boards	
Single Supports-A	
Supports-A with in-between Blocking	
Single Supports-B	
Supports-B with in-between Blocking	
Central Supports	
In-Between Cover	
Panel	
Bamboo	
Boots	
Tap L-Plaques	

Note: Part numbers in the Content of Boxes Table are for reference only. These do not match to the numbers marked on the parts sent.




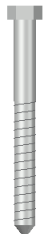
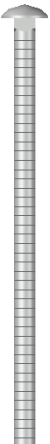
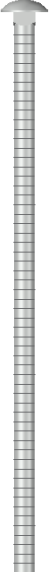
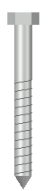

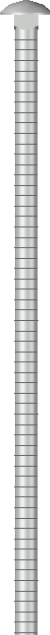
CONTENT OF BOXES

CONTENT OF BOXES		Qty.
Drawing	No.	
	13	4
	14	1
	15	1
		1
		2
		2
		4
		3
		15
		285
		4
		4








Qty.	Description
4	L-Plaques
2	Supports Metal Plaques
2	Standard Anchor Base

HARDWARE LIST	
No.	Drawing
A	
B	
C	
D	
E	
G	
H	

Qty.	Description
16	1/2" X 4" Anchor Bolts (To attach the anchor bases to the ground).
16	5/16" X 3" Lag Bolts (To attach the anchor bases to the posts/ to attach the Supports Metal Plaques to the Supports).
15	3/8" X 7" Bolts (to attach the Supports with in-between to the supports).
8	3/8" X 10" Lag Bolts (to attach the Ledger Boards to the Central Supports/ to attach the Central Supports to the Supports).
114	5/16" X 2 1/2" Lag Bolts (to attach the Supports Metal Plaques to the Ledger Boards/ to attach the L-plaques to the posts and to the Support
38	3/8" X 4" Lag Bolts (to attach the Ledger Boards to the Supports/ to attach the Wall Supports to the Wall).
4	3/8" X 8" Bolts (to attach the Frame to the posts).

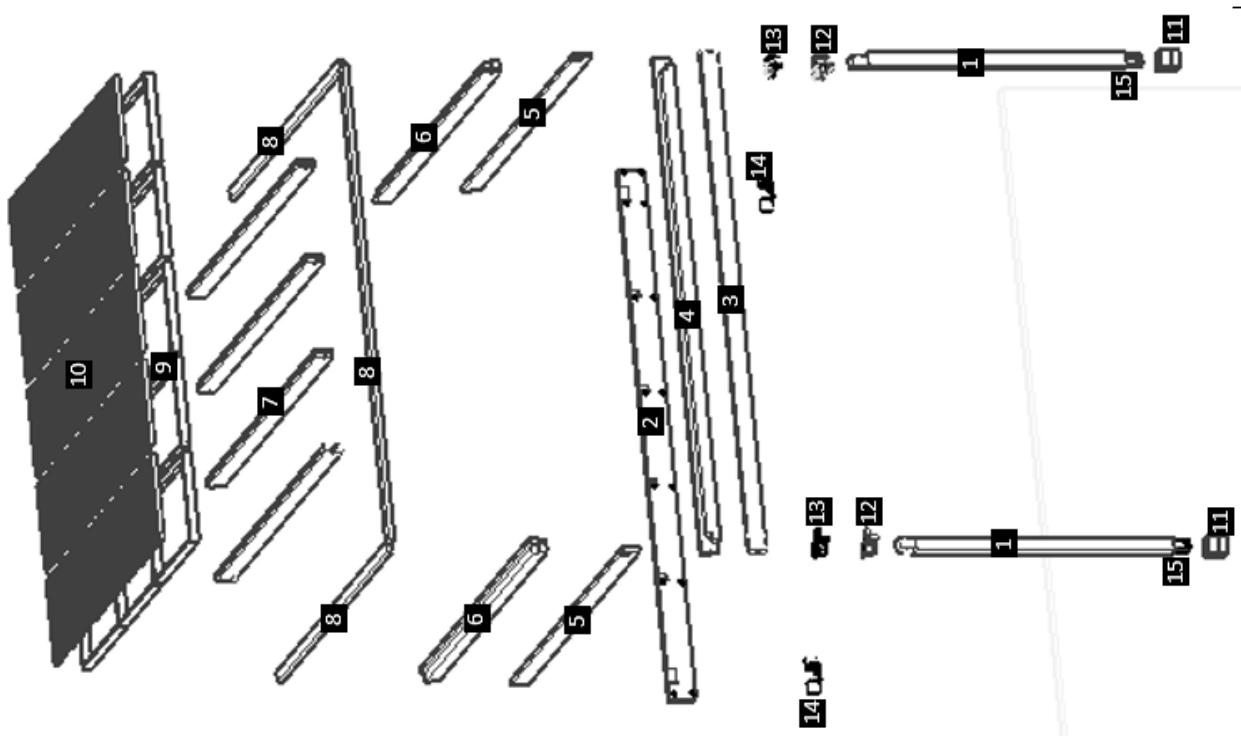


HARDWARE LIST

Qty.	Description	Drawing	No.
70	3" Deck Screws (to attach the In-Between covers to the Supports/ to attach the L-plaques to the Support with In-Between/ to attach the Tap L-plaques to the posts and to the Support/ attach the boots to the posts).		I
650	2" Deck Screws (to attach the Bamboo Slates to the Panel).		J
14	1/2" X 6" Anchor Bolts (to attach the Wall Supports to the Wall).		K

Note: Dimensions of your hardware will vary depending on size.



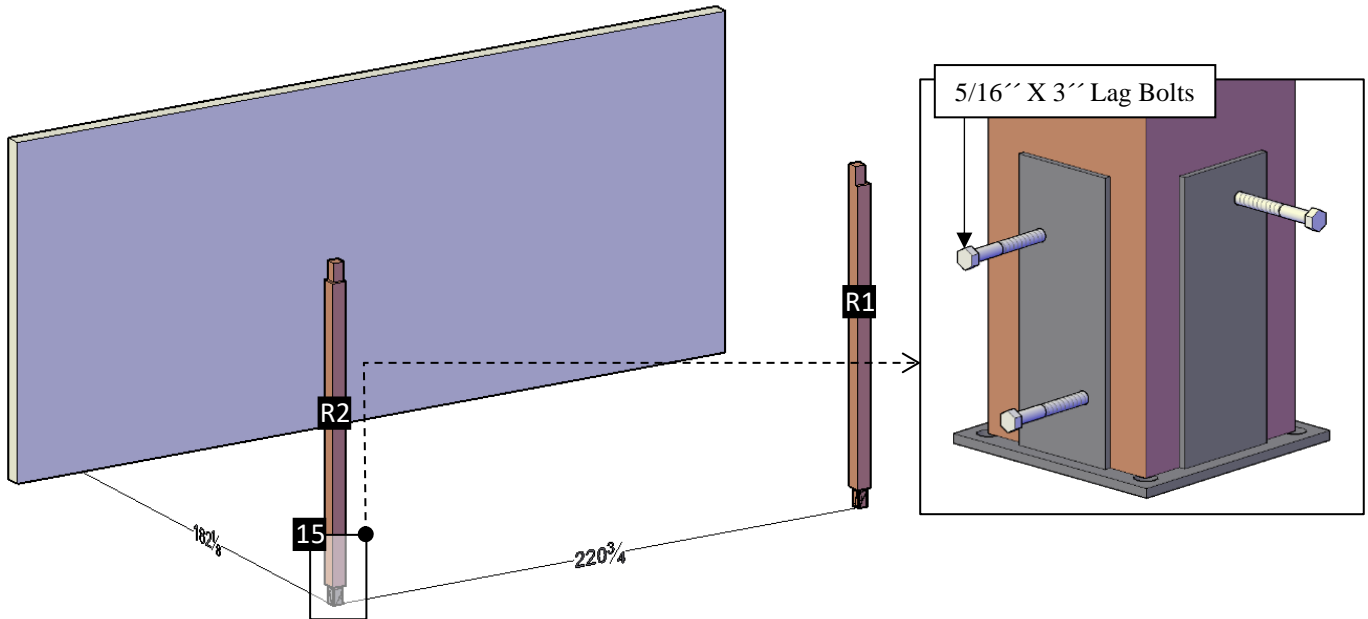


DESCRIPTION	No.
Posts	1
Ledger Boards	2
Single Supports-A	3
Supports-A with in-between Blocking	4
Single Supports-B	5
Supports-B with in-between Blocking cover	6
Central Supports	7
In-Between Cover	8
Panel	9
Bamboo	10
Boots	11
Tap L-Plaques	12
L-Plaques	13
Supports Metal Plaques	14
Standard Anchor Base	15

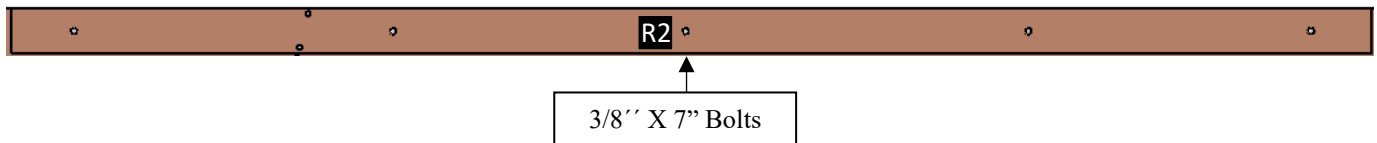
Note: Part numbers in the Drawing are for reference only. These do not match to the numbers marked on the parts sent.

NOTE: In order to know where the post needs to be placed, check the numbers on them. If the post is not marked, then place the single Supports on the ground to locate the markings for each post position and clearly set your bearings. (“Don’t attach yet, only place them on the ground to begin with”).

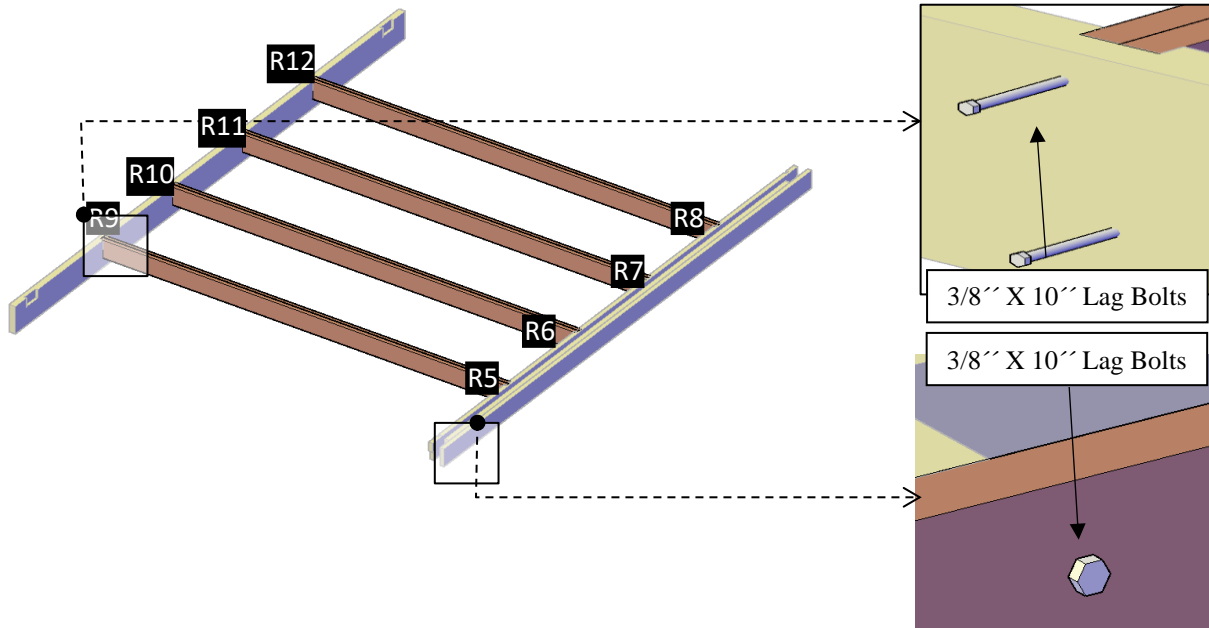
Step 1: Install the anchor bases (15) with 1/2" X 4" anchor bolts (A). Please see the “How to anchor your pergola document” for all details. Set your post (1) in the saddle of the anchor bases. Drill a ϕ 1/4" hole in the post prior to anchoring to facilitate the ratcheting of the hardware. After that, use 5/16" X 3" lag bolts (B) to attach each post to its respective anchor base.



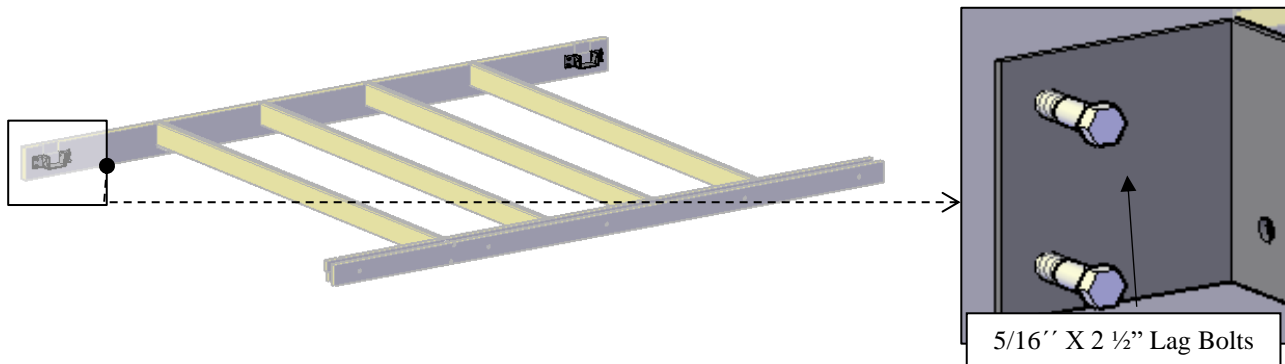
Step 2: Use 3/8" X 7" bolts (C) to attach the Supports-A with in-between (4) to the supports. Match the number in the center of the supports.



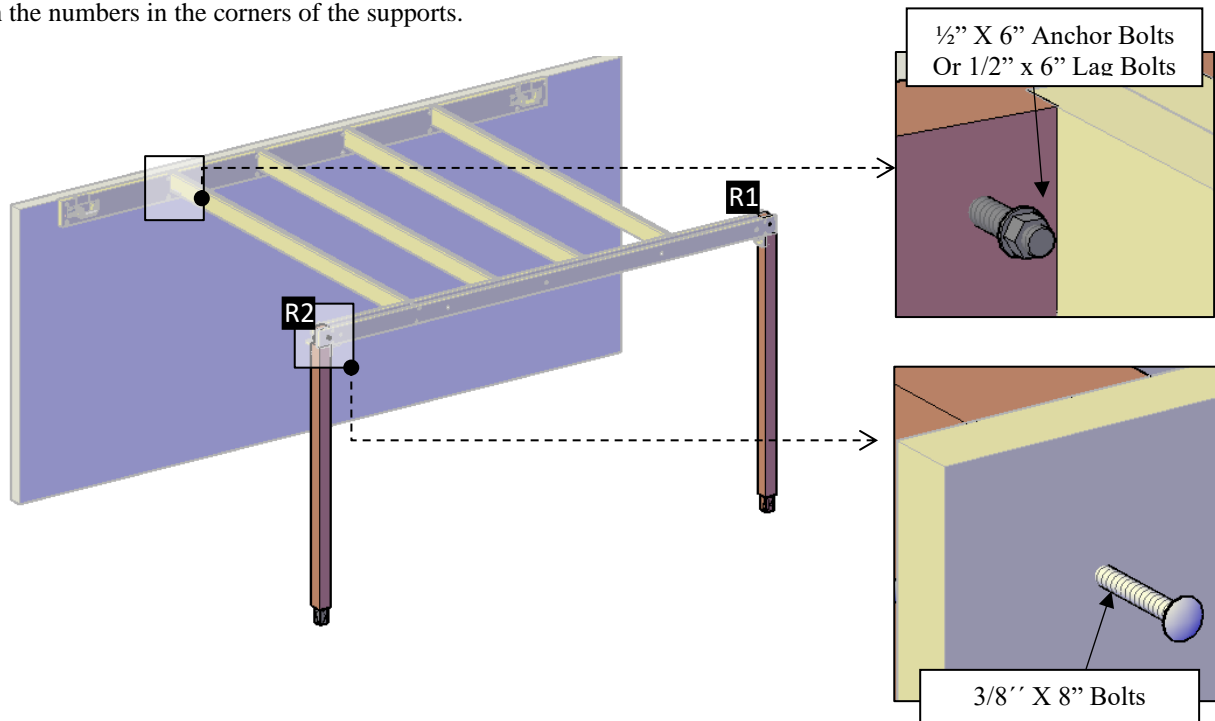
Step 3: Use 3/8" X 10" Lag Bolts (D) to attach the Ledger Boards (2) to the Central Supports (7) and to the Supports. Match the number in the corners of the rafters with the numbers in the notches of the supports and the ledger boards.



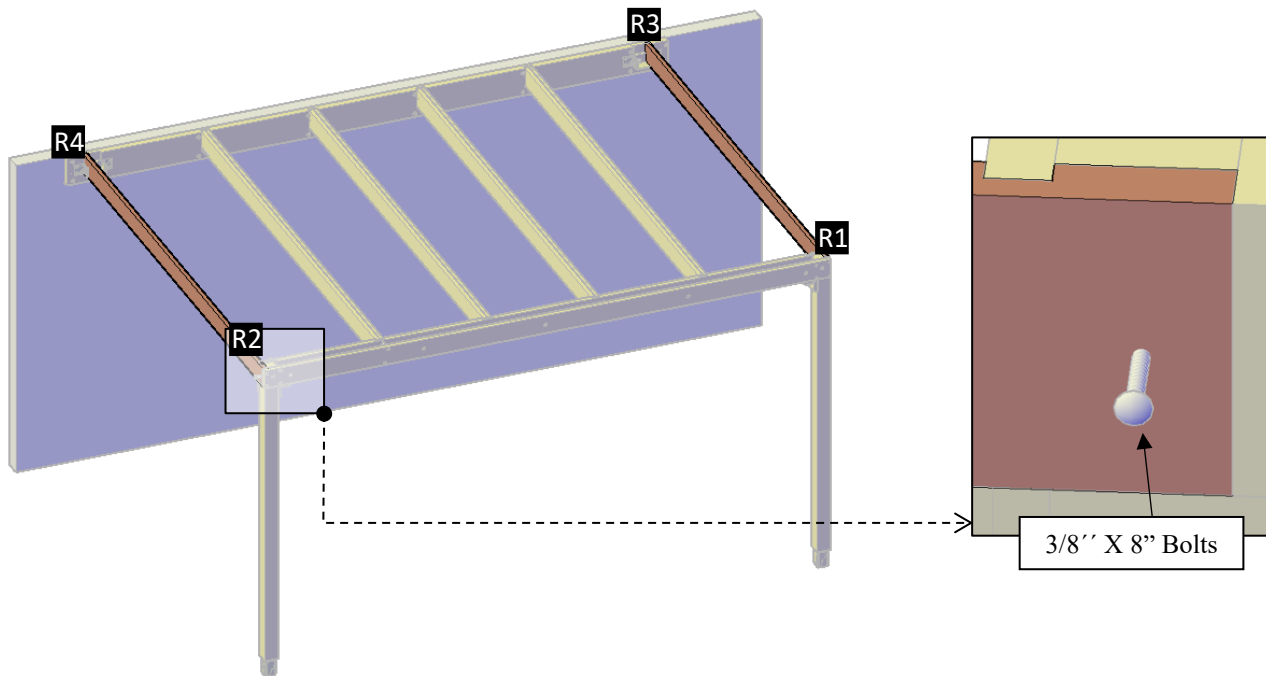
Step 4: Use 5/16" X 2 1/2" Lag Bolts (E) to attach the Supports Metal Plaques (14) to the Ledger Boards (2). Each part has a series of numbers that indicate where to attach the part with the corresponding number.



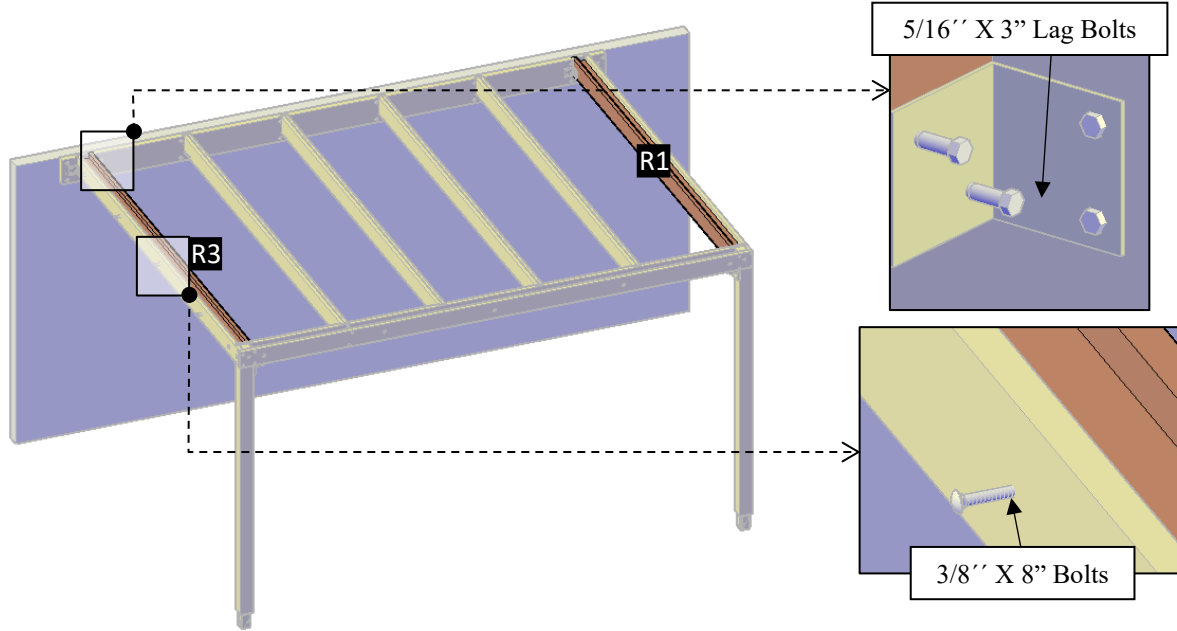
Step 5: Use 1/2" X 6" Anchor Bolts (**K**) (for concrete wall) or 1/2" x 6" Lag Bolts (**G**) (for wood wall) to attach the Ledger Boards (**2**) to the Wall. After that, use 3/8" X 8" bolts (**H**) to attach the Frame to the posts (**1**). Match the number in the top of the post with the numbers in the corners of the supports.



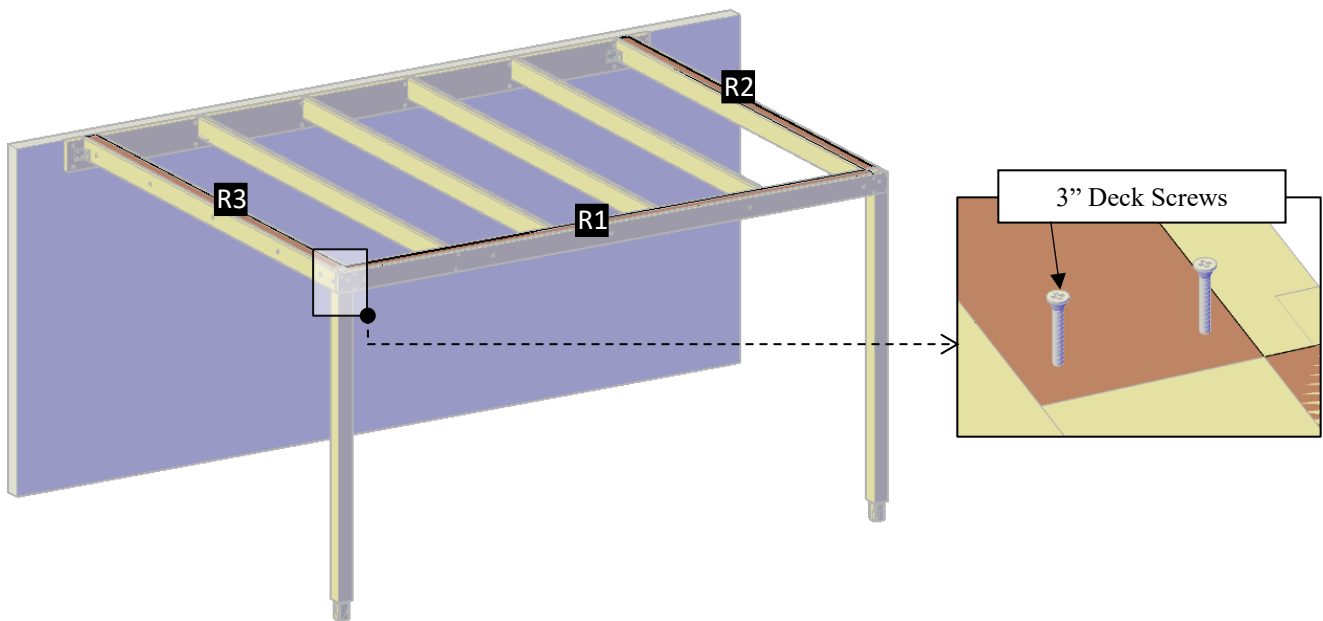
Step 6: Use 3/8" X 8" Bolts (**H**) to attach the Single Supports-B (**5**) to the posts. Match the number in the corners of the Supports with the numbers in the notches of the posts and the ledger boards.



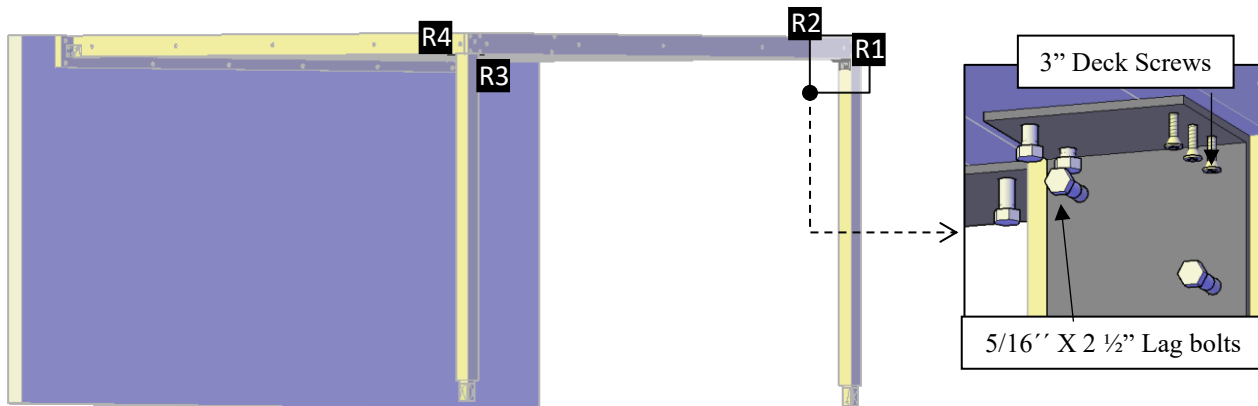
Step 7: Use 5/16" X 3" Lag Bolts (B) to attach the Supports Metal Plaques (14) to the Supports-B (5). After that, use 3/8" X 7" Bolts (C) to attach the Single Supports-B together. Match the number in the center of the supports.



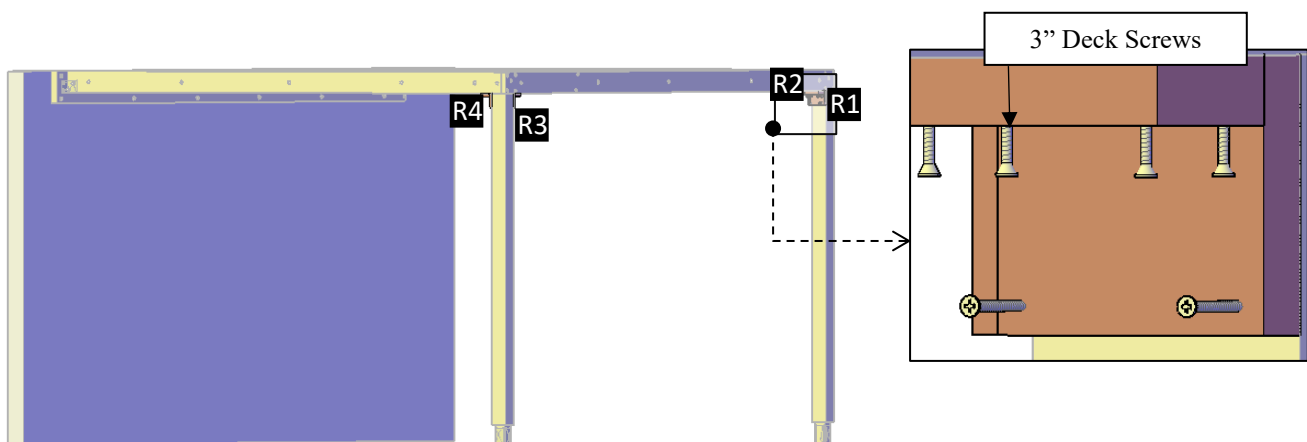
Step 8: Attach the In-Between covers (8) to the Supports with 3" Deck Screws (I). Match the number in the top of the Supports with the numbers in the bottom of the in-between cover.



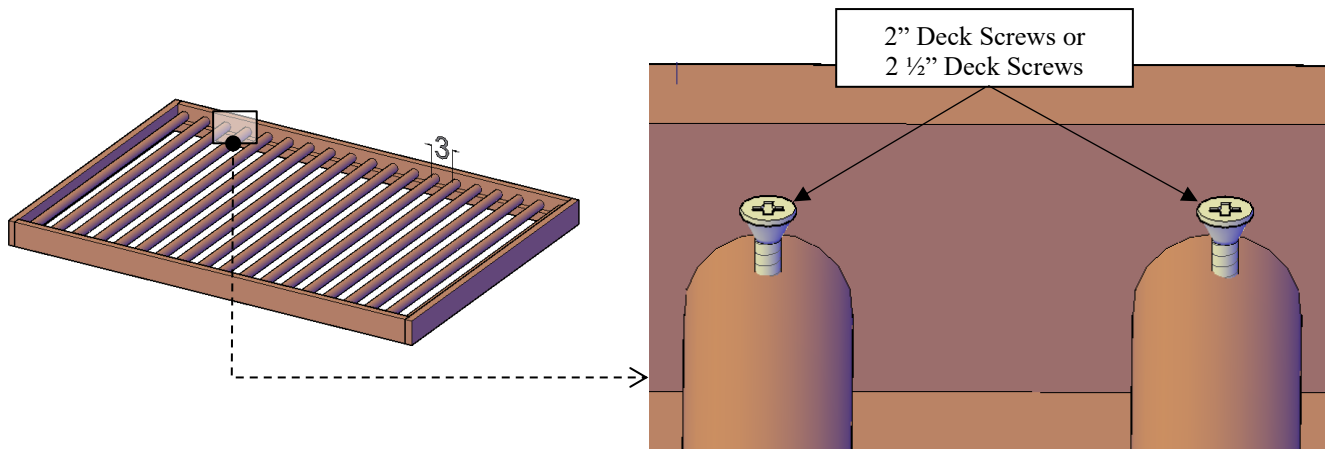
Step 9: Use 5/16" x 2 1/2" lag bolts (E) to attach the L-Plaques (13) to the posts and to the Support and 3" Deck Screws (I) to attach to the Supports. Match the number in the angles with the number in the posts.



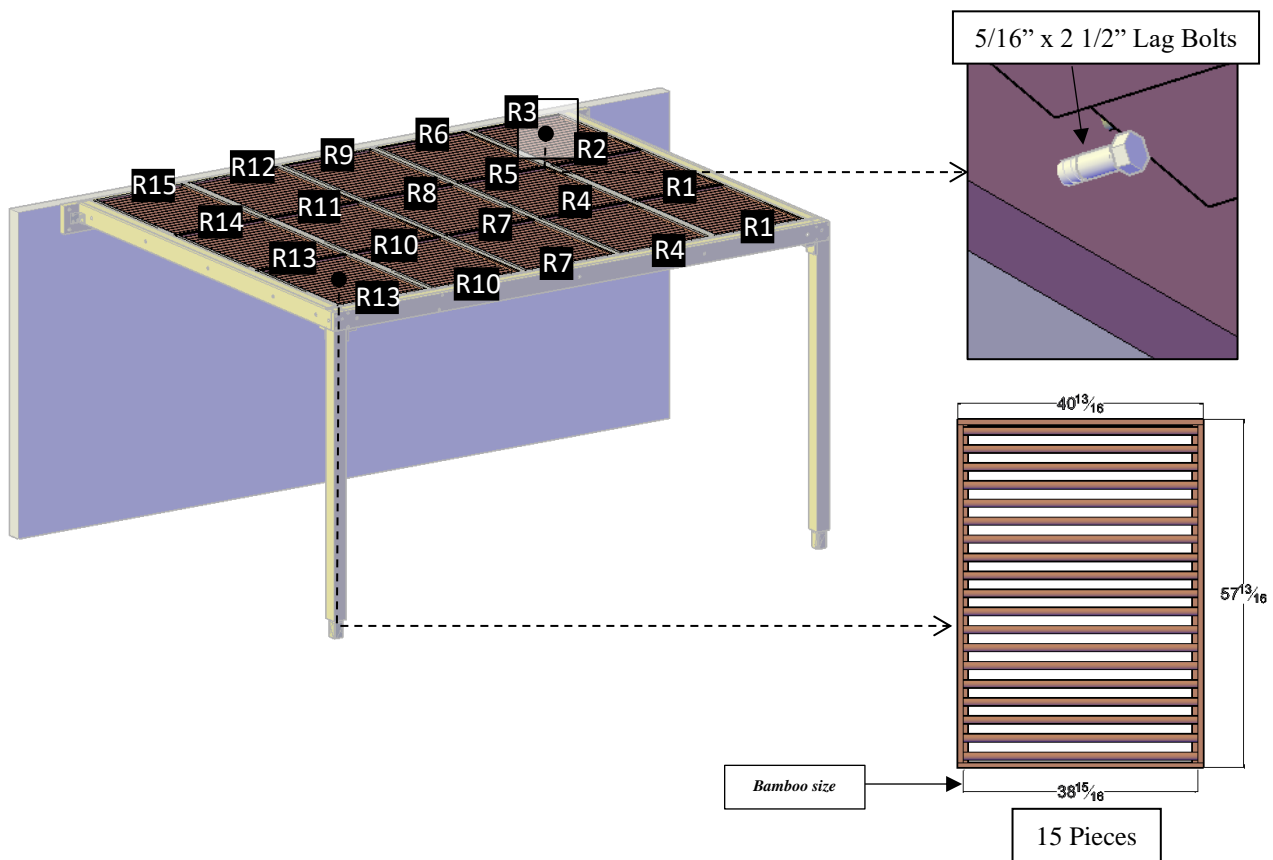
Step 10: Use 3" Deck Screws (I) to attach the Tap Angles (12) to the posts and to the Support. Match the number in the Tap angles with the number in the angles.



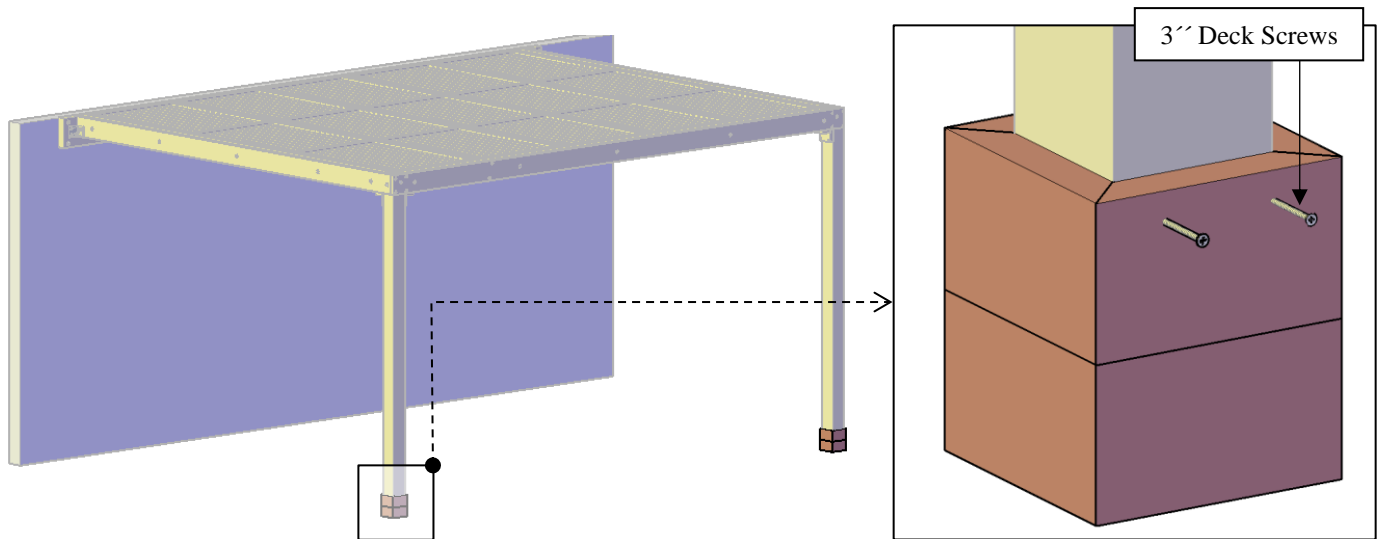
Step 11: Use 2" Deck Screws (J) or 2 1/2" Deck Screws to attach the Bamboo Slats (10) to the Panel (9).
**Note: extra pieces (in case if necessary).*



Step 12: Use 5/16" X 2 1/2" Lag Bolts (E) to attach the Panel (8) to the Supports. Match the number in the panels.



Step 13: Finally, attach the boots (11) to the posts with 3" deck screws (I). Each part has a series of numbers that indicate where to attach the part with the corresponding number.



This completes the Pergola assembly. Hope you enjoy your set for many decades. If you ever have a problem or a question, don't hesitate to call us (866 332 2403) or email us. We are here to support you.