



FOREVER REDWOOD

From the Forest, For the Forest since 1995

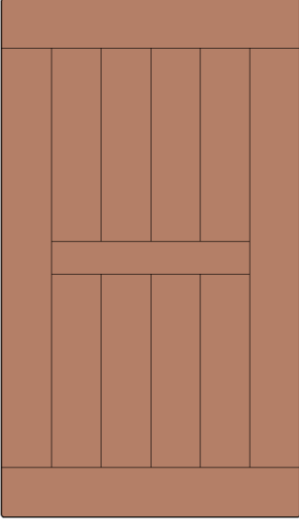
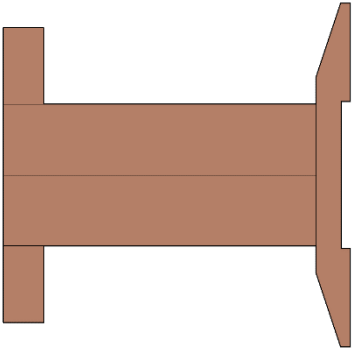
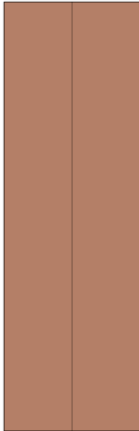
866.332.2403 (TOLL FREE); 7am – 7pm Pacific Time, Monday-Saturday

ASSEMBLY INSTRUCTIONS FOR THE BAJA OUTDOOR REDWOOD DINING TABLE





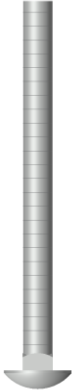
CONTENT OF BOXES

Qty.	Description	Drawing	No.
1	Tabletop		1
2	Legs		2
1	Supports		3

Note: Part numbers in the Content of Boxes Table are for reference only. These do not match to the numbers marked on the parts sent.

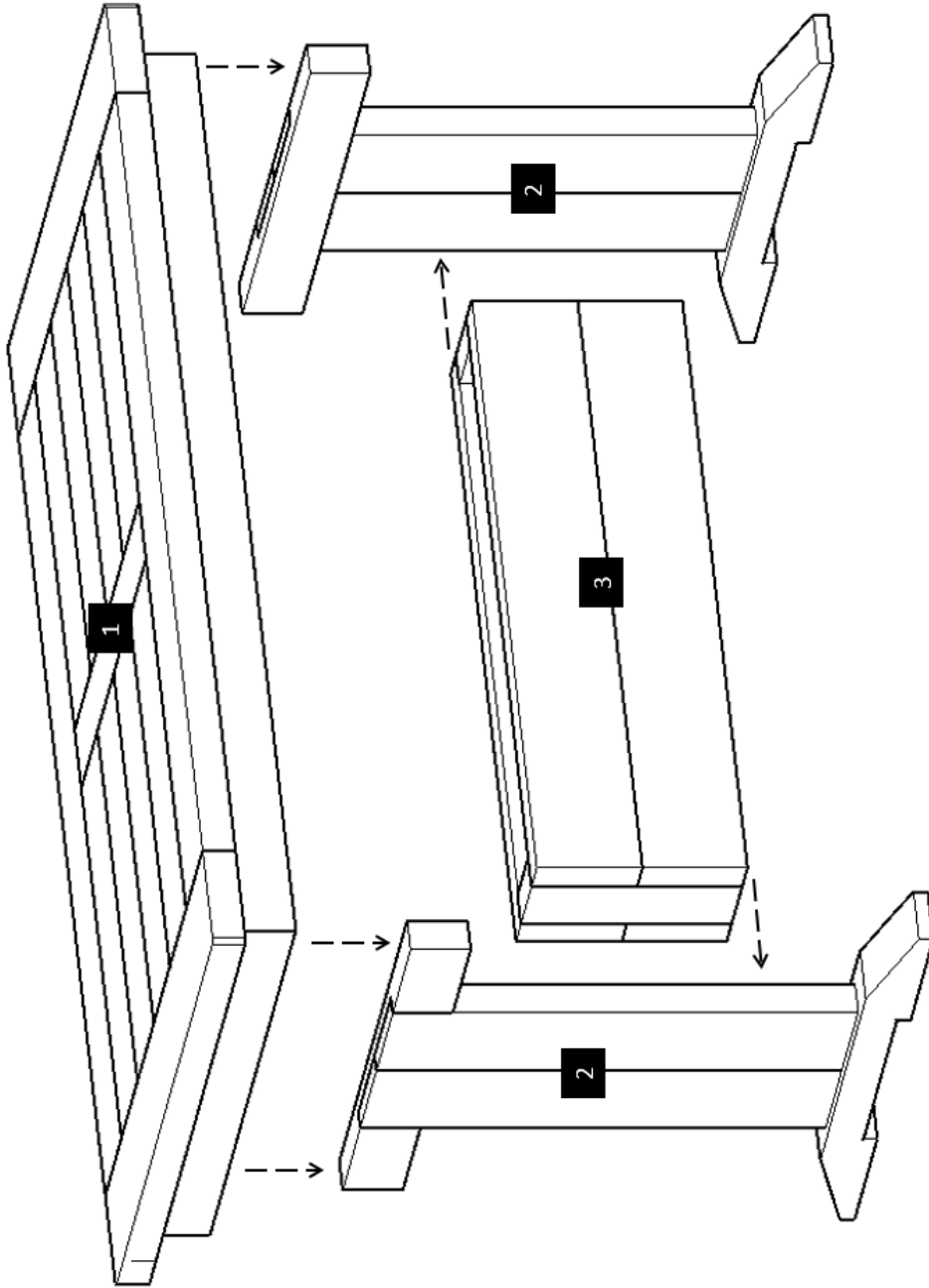




HARDWARE			
Qty.	Description	Drawing	No.
8	5/16" X 4" Bolts (To attach the legs to the tabletop).		A

Note: Dimensions of your hardware will vary depending on size.

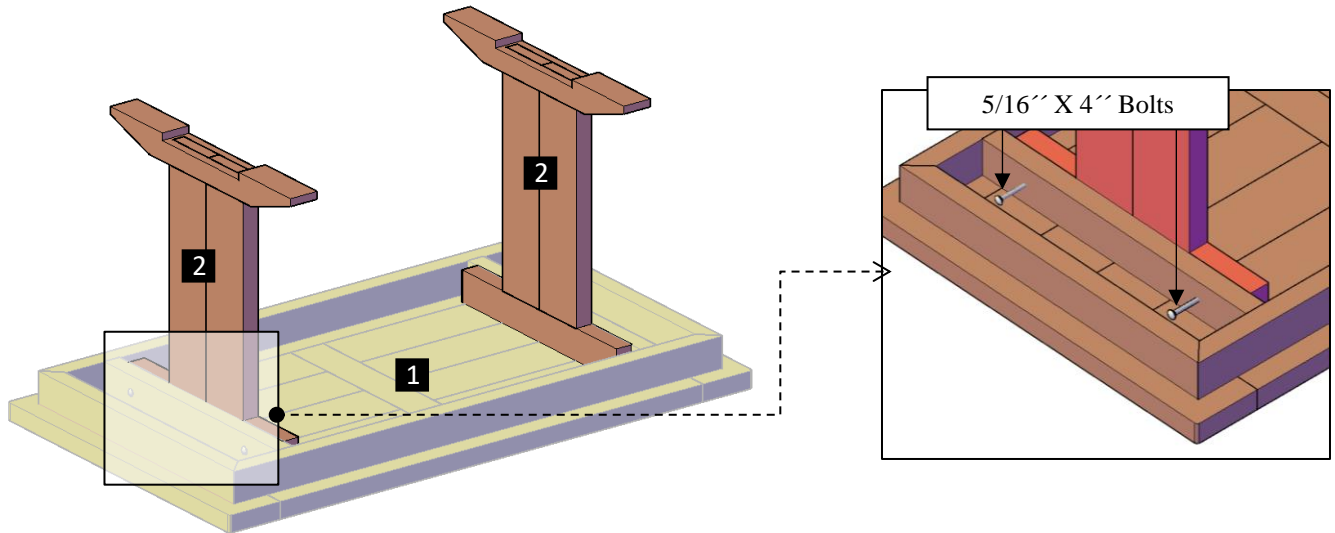




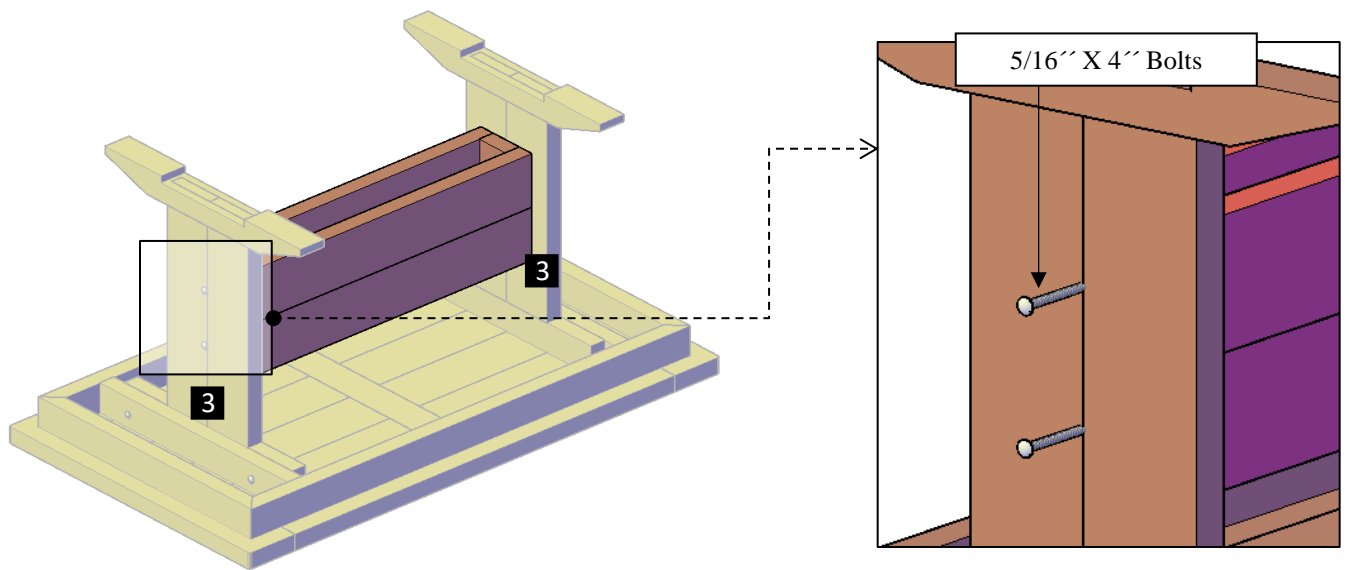
DESCRIPTION	No
Tabletop	1
Legs	2
Supports	3

Note: Part numbers in the Drawing are for reference only. These do not match to the numbers marked on the parts sent.

Step 1: Place the Tabletop (1) upside down. After that, use 5/16" X 4" bolts (A) to attach the legs (2) to the tabletop. Each part has a series of numbers that indicate where to attach the part with the corresponding number.



Step 2: Attach the supports (3) to the legs with 5/16" x 4" bolts (B). Each part has a series of numbers that indicate where to attach the part with the corresponding number.



Step 3: Finally, turn the table over its feet.



This completes the Table assembly. Hope you enjoy your set for many decades. If you ever have a problem or a question, don't hesitate to call us (866 332 2403) or email us. We are here to support you.