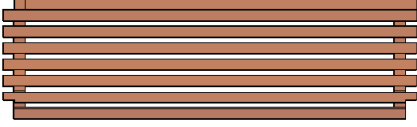
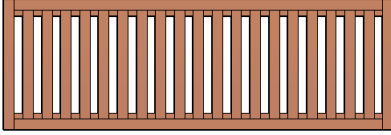

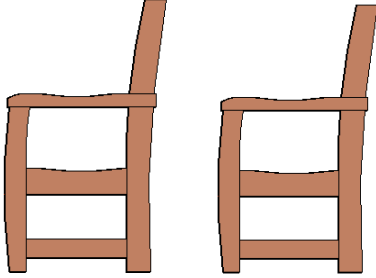



866.332.2403; Outside the US: 619.600.5630 8am-5pm Pacific Time, Monday-Friday

Assembly Instructions for: **BONSIGNOUR HANDCRAFTED WOOD BENCH**



CONTENT OF BOXES

Quantity	Description	Drawing
1	Seat	
1	Backrest	
1	Front Brace	
2	Sides	
2	Diagonal Supports	
10	Carriage bolts 3 ½" x 5/16", Washers and Nuts	
4	Carriage bolts 4 ½" x 5/16", Washers and Nuts	

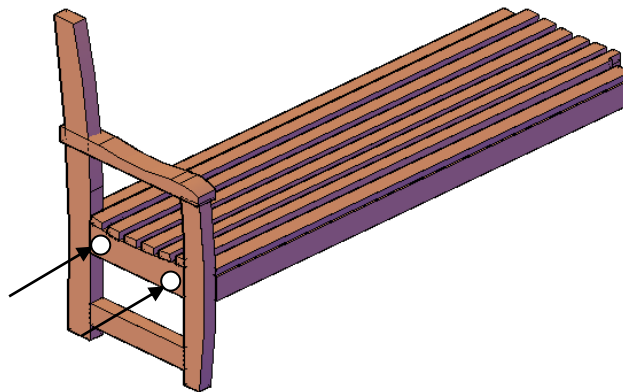
ASSEMBLY INSTRUCTIONS

Thank you for purchasing Forever Redwood patio furniture. Forever Redwood is built by Old-Growth Again Restoration Forestry (OGA). OGA is dedicated to restoration forestry. Sales of patio furniture finance our restoration work in California redwood forestlands.

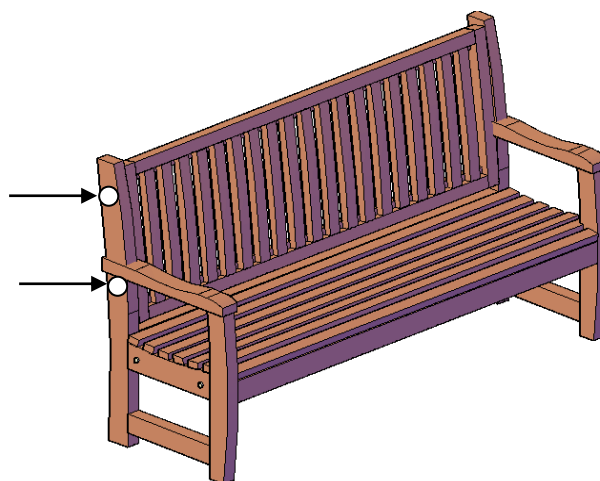
Tools required: ½-inch ratchet and a mallet or small hammer.

Unpack your bench and make sure you have all the parts. The parts that go together have the same numbers written next to the predrilled holes they attach to. Align the parts with the numbers as shown for ease of reference.

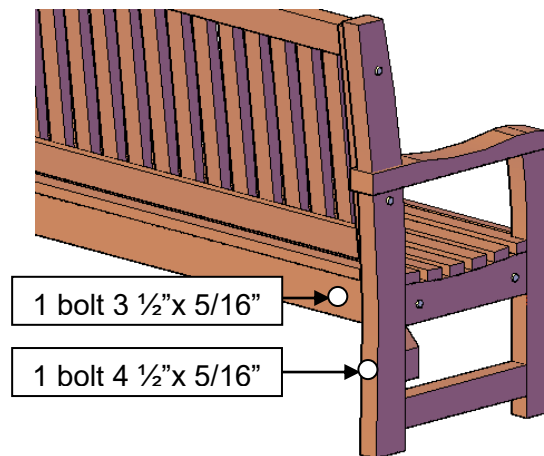
Step 1: Attach side to the seat, with two bolts (3 ½" x 5/16"), washers & nuts. Match the numbers written next to the predrilled holes on each piece. Tap the bolt all the way into the wood to set it. Then add a washer and nut and lightly tighten. Repeat this step to attach the other side to seat.



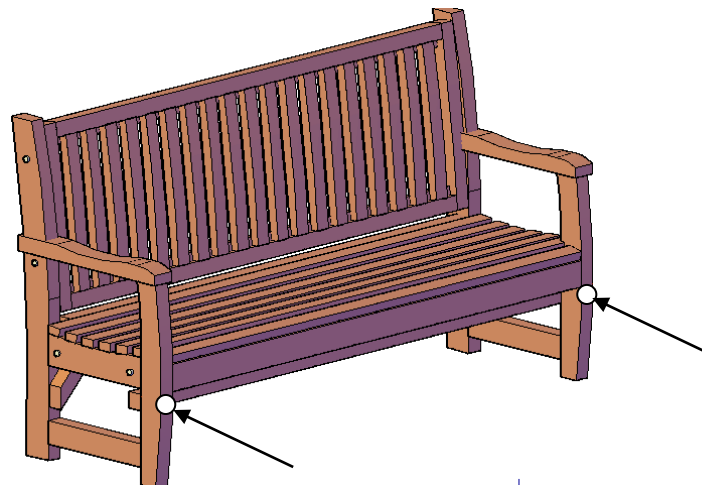
Step 2: Attach backrest to sides, with two bolts (3 ½" x 5/16"), washers & nuts per side. Tap the bolt all the way into the wood to set it. Then add a washer and nut and lightly tighten.



Step 3: Attach the diagonal supports to the seat & sides, with two bolts, washers & nuts each one. Tap the bolt all the way into the wood to set it. Then add a washer and nut and lightly tighten.



Step 4: Attach the front brace to sides, with one bolt (4 1/2\" x 5/16\"), washer & nut per side. Tap the bolt all the way into the wood to set it. Then add a washer and nut and lightly tighten.



Thank you. If you have any questions, please call or email us.