



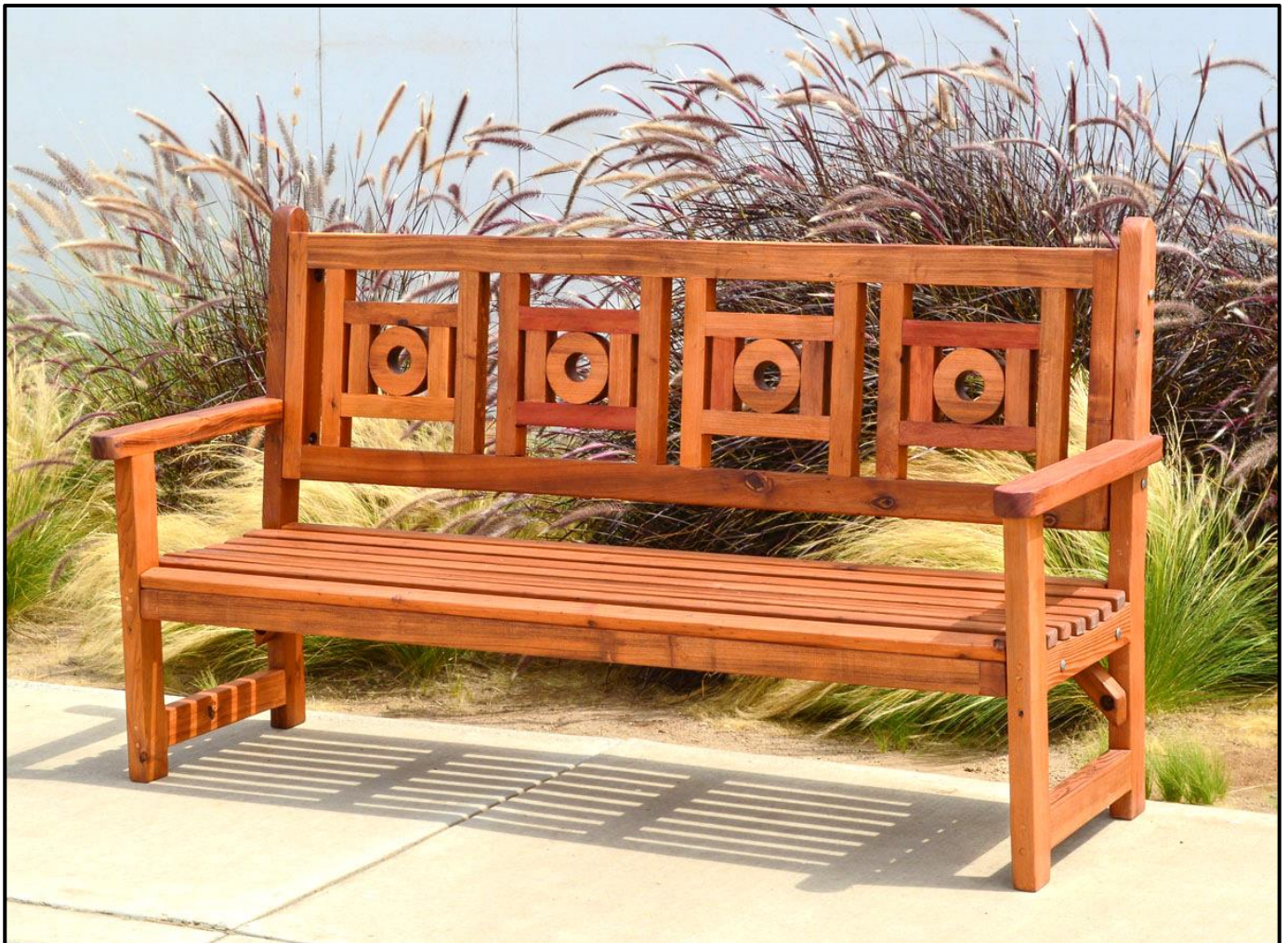
# FOREVER REDWOOD

*From the Forest, For the Forest since 1995*

---

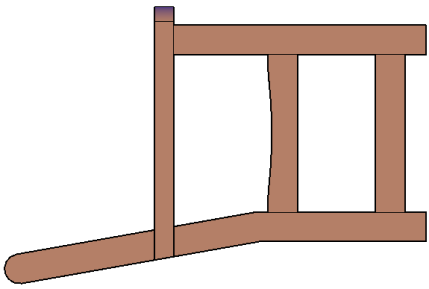
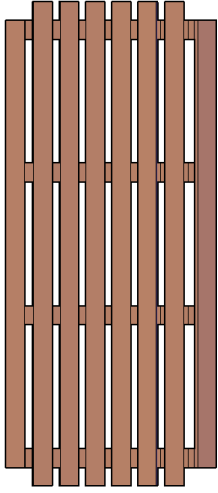
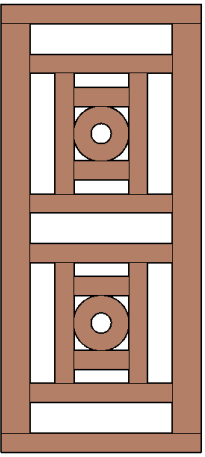


866.332.2403 (TOLL FREE); 7am – 7pm Pacific Time, Monday-Saturday

## ASSEMBLY INSTRUCTIONS FOR THE CANEEL BAY GARDEN BENCH





**CONTENT OF BOXES**

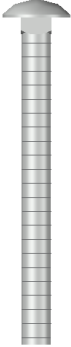
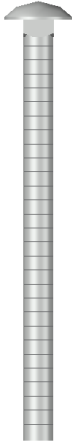


Qty.	Description	Drawing	No.
2	Legs		1
1	Seat		2
1	Backrest		3
2	Diagonal Supports		4
1	Support		5

*Note: Part numbers in the Content of Boxes Table are for reference only. These do not match to the numbers marked on the parts sent.*



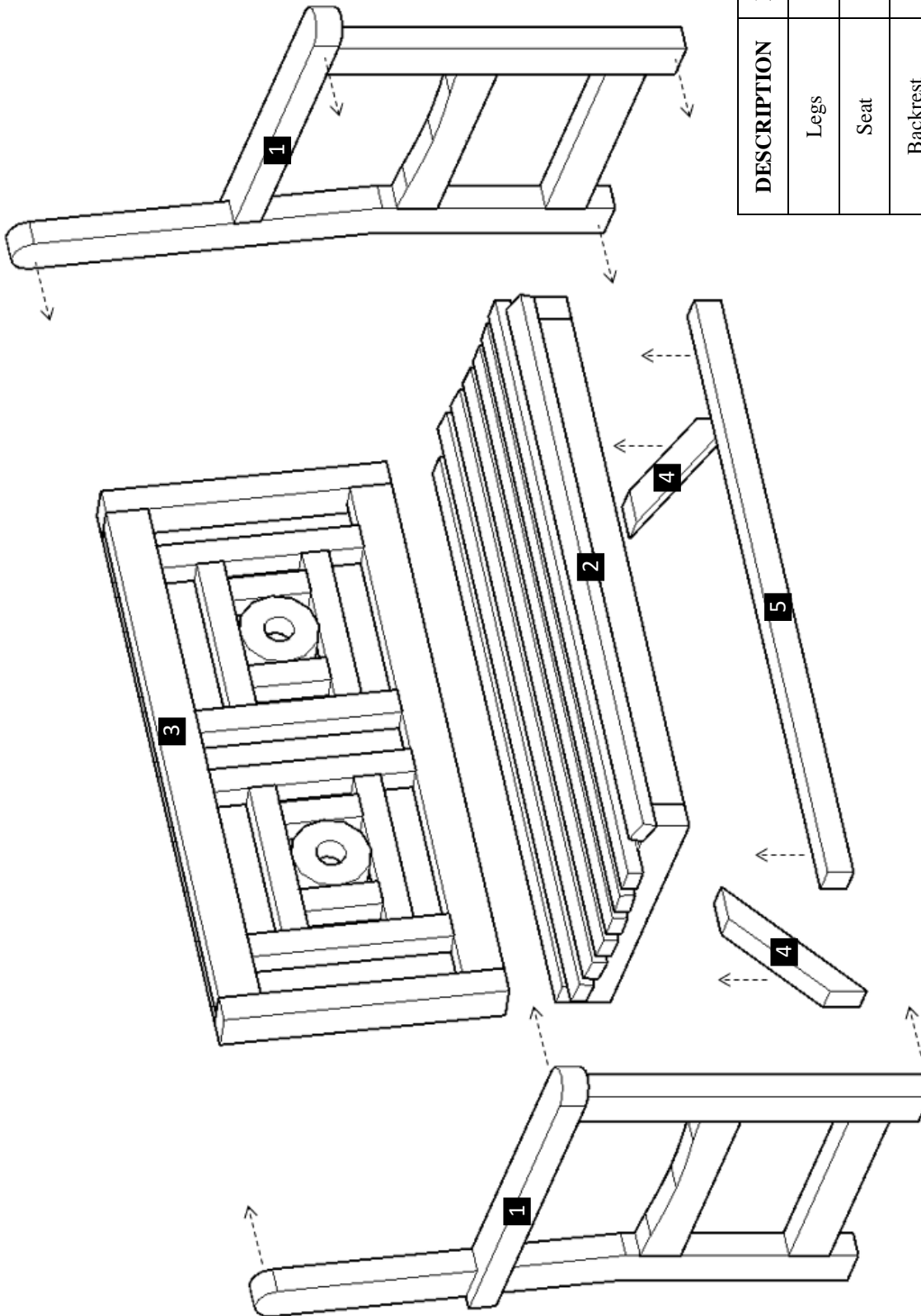


**HARDWARE LIST**

Description	Drawing	No.
5/16" X 3 1/2" Bolts (To attach the seat and the backrest to the legs. / To attach the diagonal supports to the seat).		A
5/16" X 4 1/2" Bolts (To attach the diagonal supports and the support to the legs).		B
5/16" Washers		C
3/8" x 7/8" Nuts		D

*Note: Dimensions of your hardware will vary depending on size.*

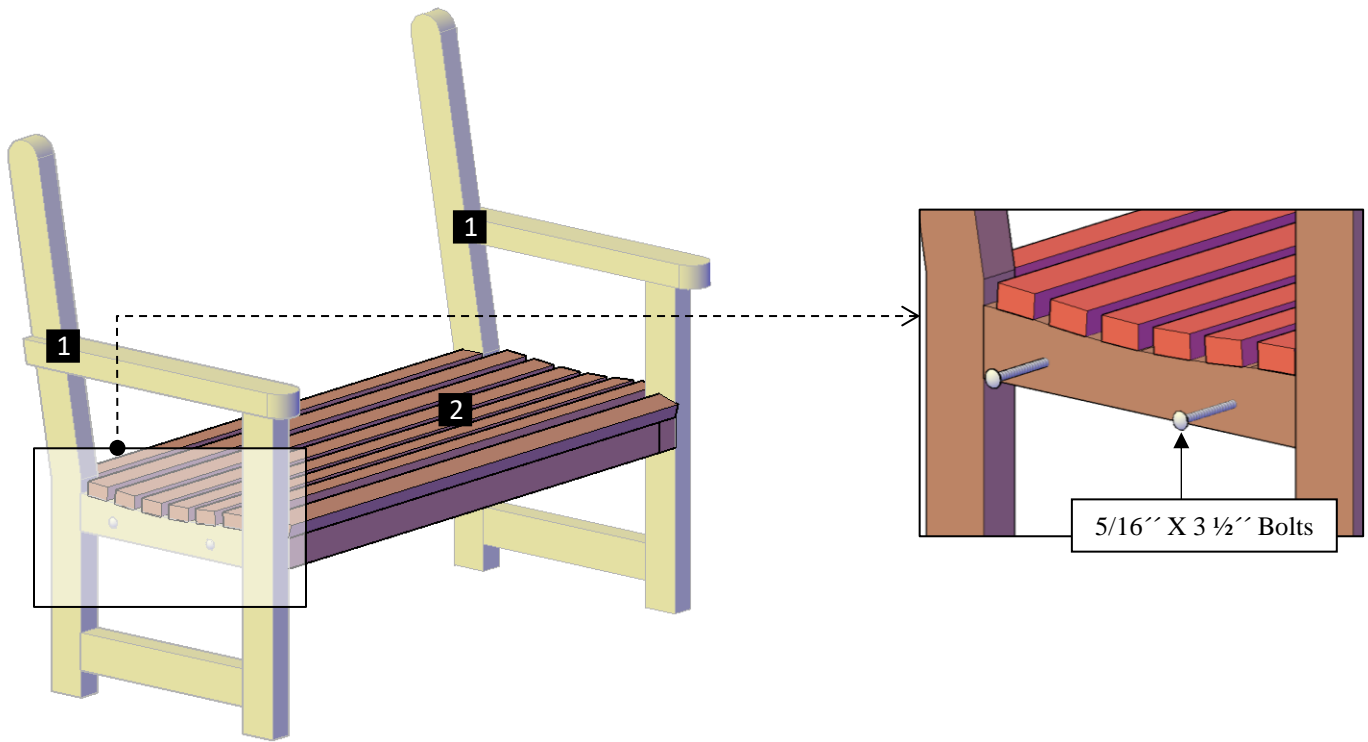




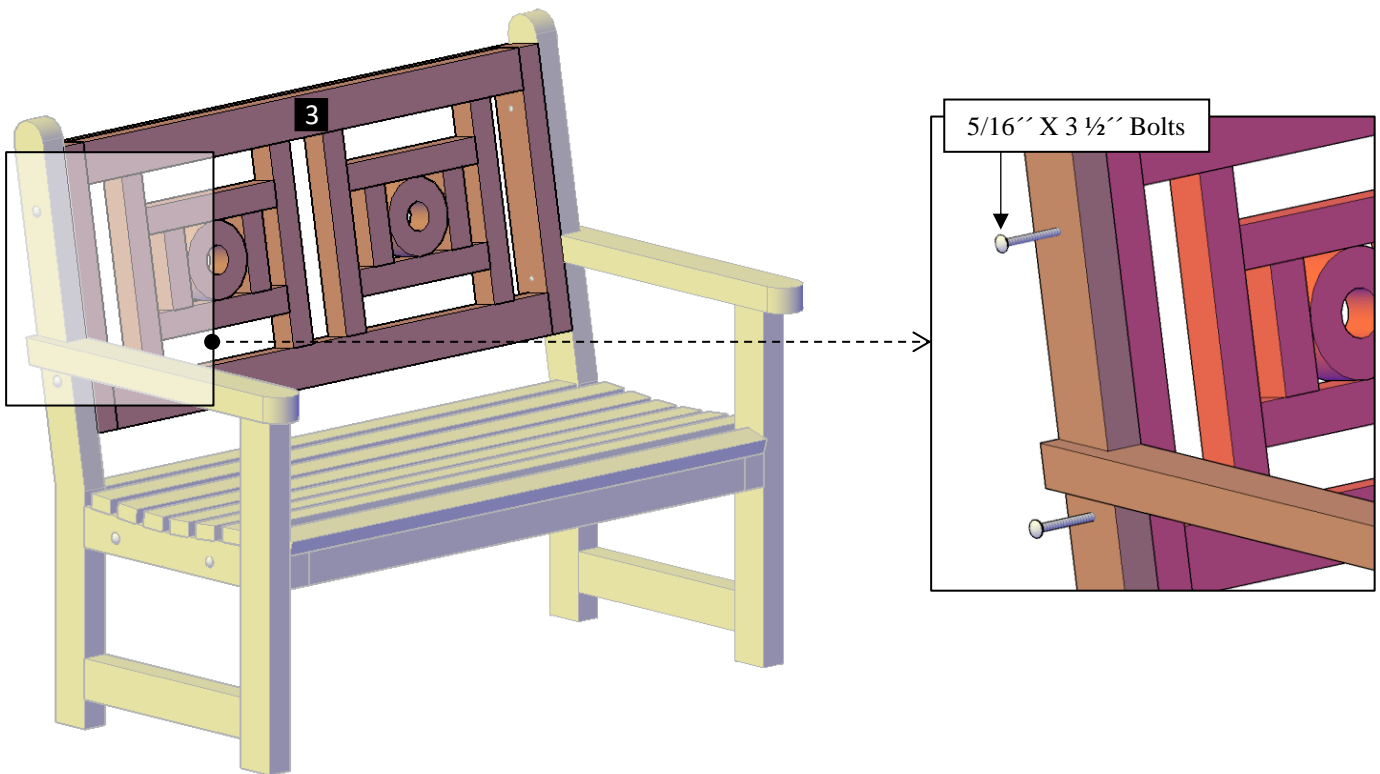
DESCRIPTION	No
Legs	1
Seat	2
Backrest	3
Diagonal Supports	4
Support	5

*Note: Part numbers in the Drawing are for reference only. These do not match to the numbers marked on the parts sent.*

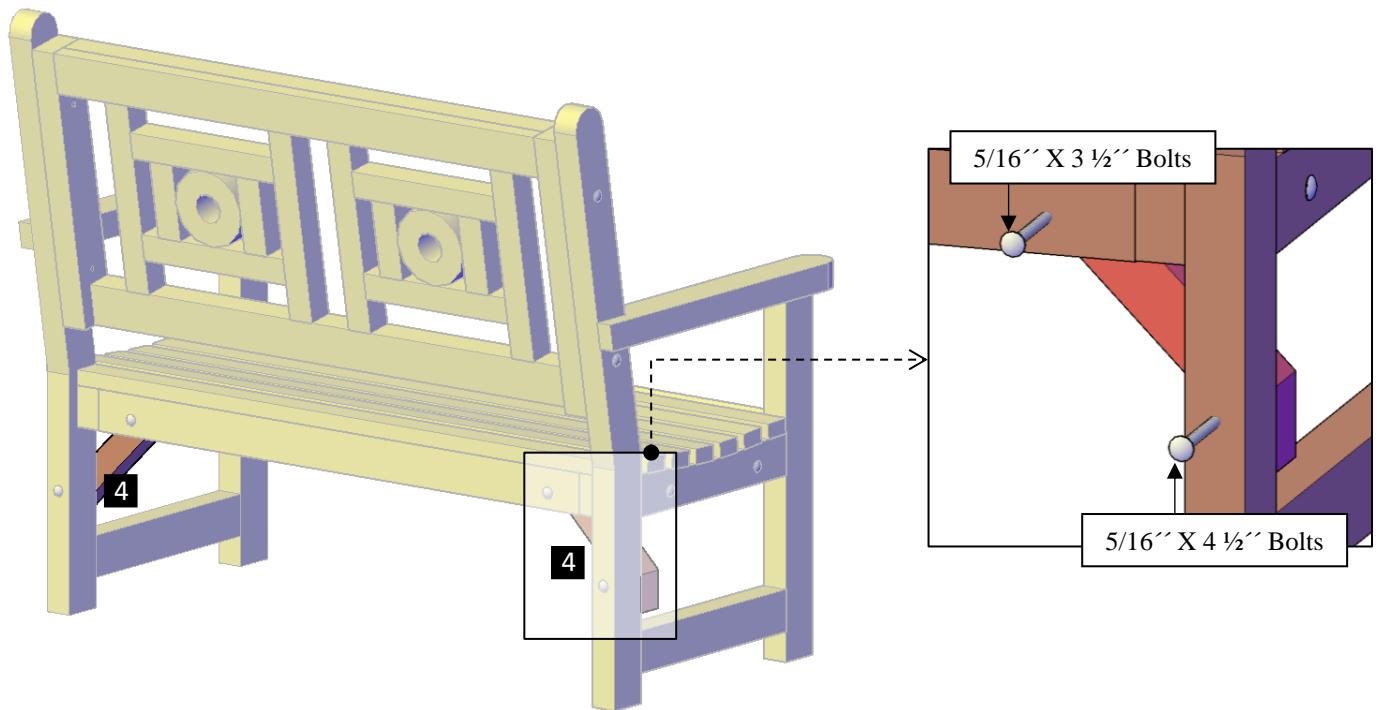
**Step 1:** Use 5/16" x 3 1/2" bolts (A) with washers (C) & nuts (D) to attach the seat (2) to the legs (1). Each part has a series of numbers that indicate where to attach the part with the corresponding number.



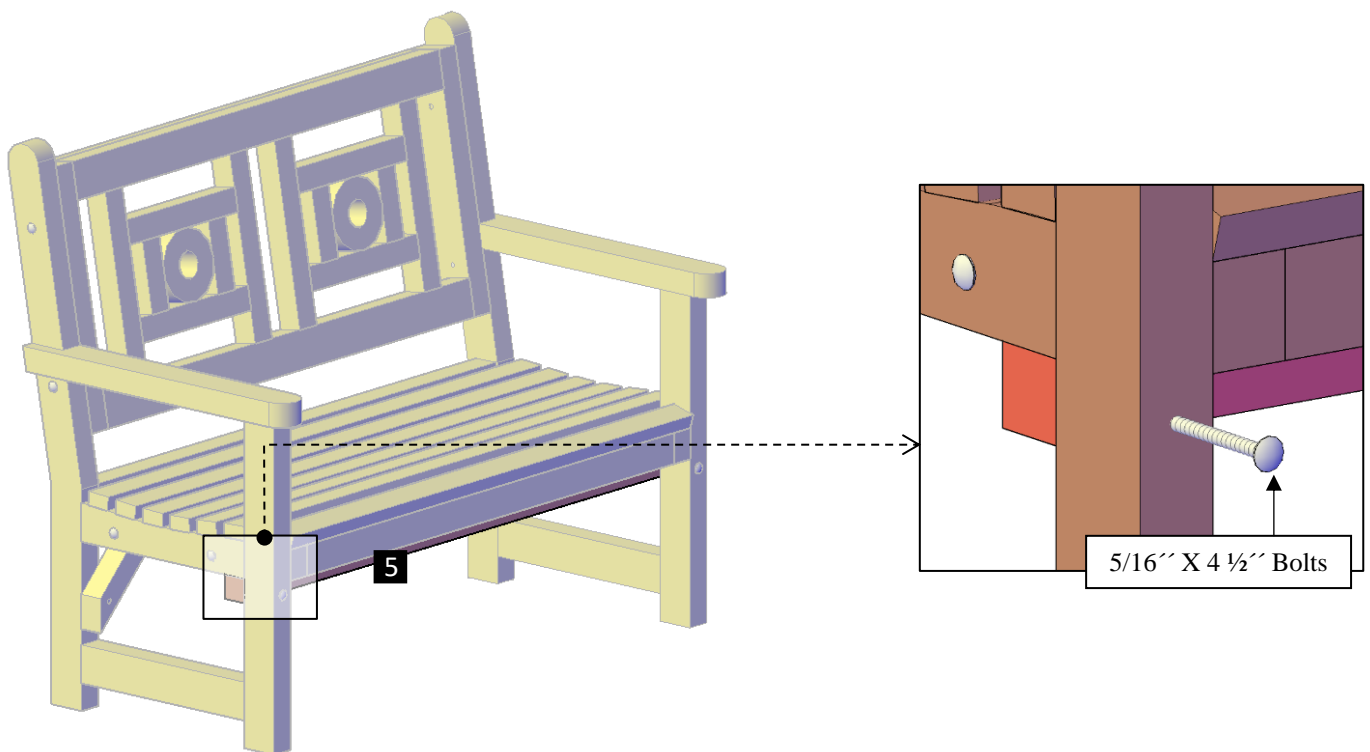
**Step 2:** Attach the backrest (3) to the legs, use 5/16" x 3 1/2" bolts (A) with washers (C) & nuts (D). Each part has a series of numbers that indicate where to attach the part with the corresponding number.



**Step 3:** Use 5/16" x 3 1/2" bolts (A) with washers (C) & nuts (D) to attach the diagonal supports (4) to the seat. After that, use 5/16" x 4 1/2" bolts (B) with washers (C) & nuts (D) to attach to the legs. Each part has a series of numbers that indicate where to attach the part with the corresponding number.



**Step 4:** Attach the support (5) to the legs, use 5/16" x 4 1/2" bolts (B) with washers (C) & nuts (D). Each part has a series of numbers that indicate where to attach the part with the corresponding number.





*This completes the Bench Assembly. Hope you enjoy your set for many decades. If you ever have a problem or a question, don't hesitate to call us (866 332 2403) or email us. We are here to support you.*