



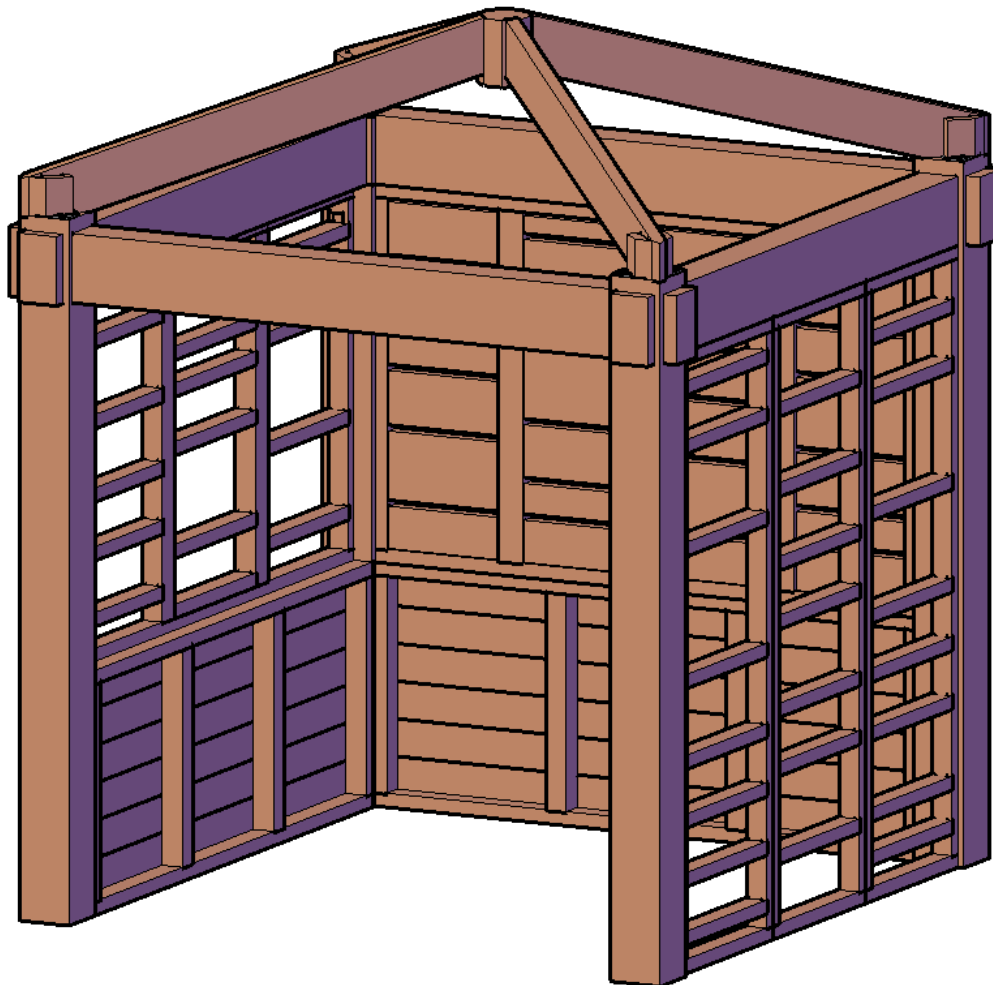
FOREVER REDWOOD

From the Forest, For the Forest since 1995

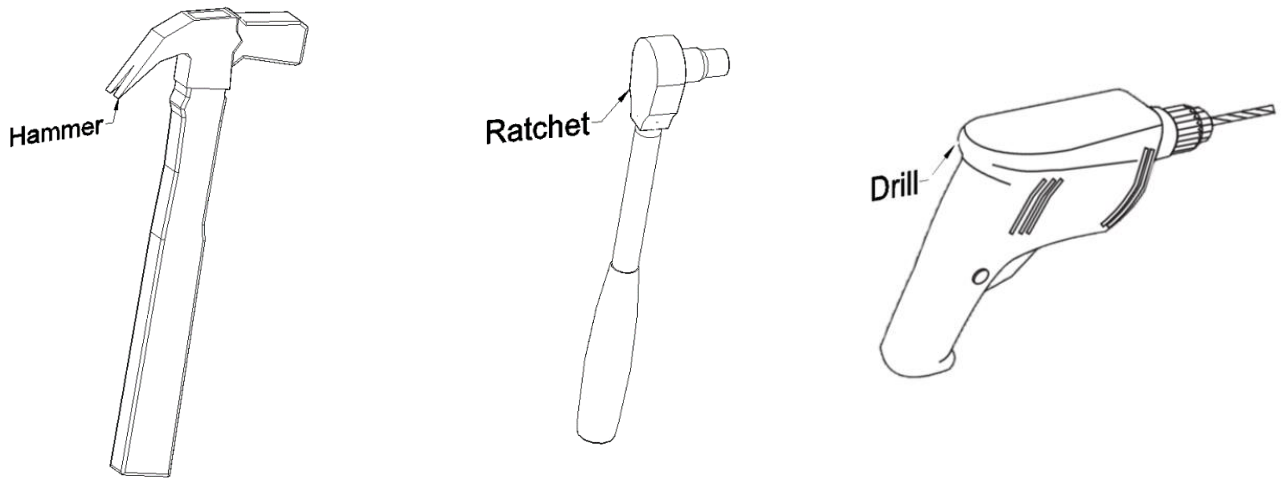
866.332.2403 (TOLL FREE) (707) 640.29.05 (Option 4) Direct Line for the

Design Department; 7am – 7pm Pacific Time, Monday-Saturday

ASSEMBLY INSTRUCTIONS FOR THE CATALINA ISLAND PERGOLA

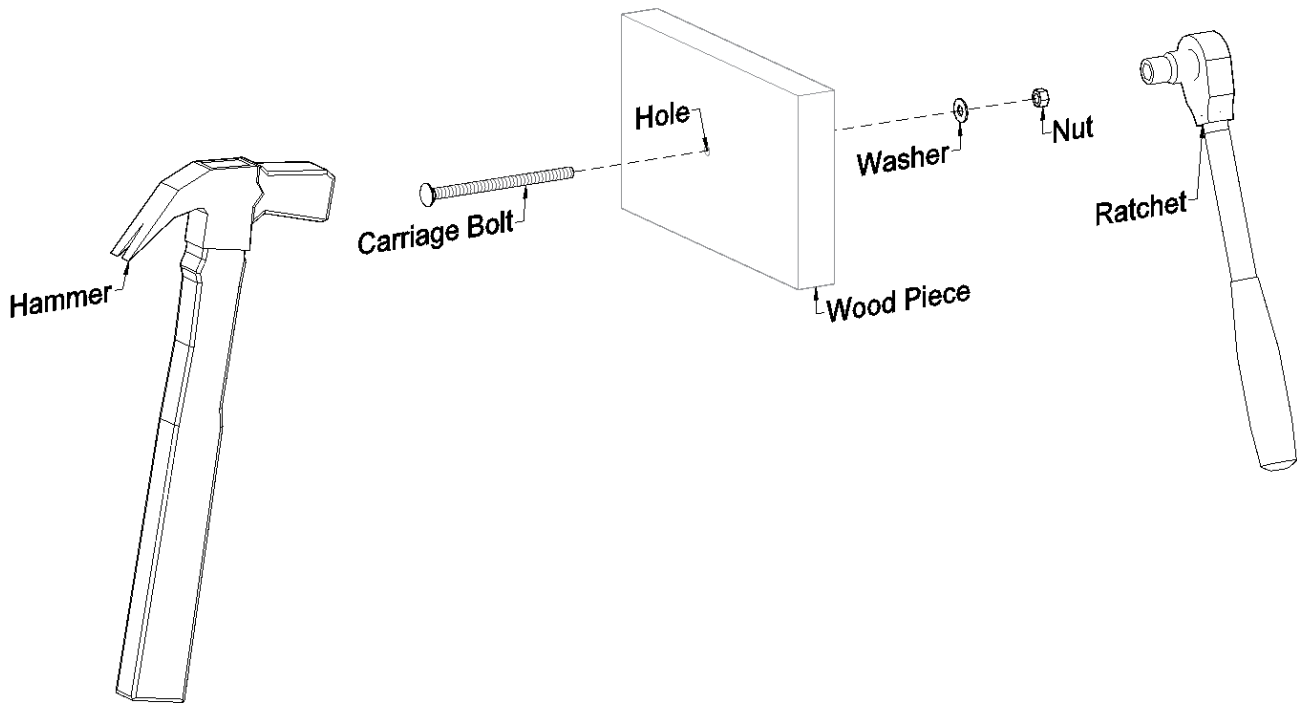


NOTE: Assembly is best done by two people. To assemble your product, you need a Hammer, a Ratch or a wrench and if required a Drill.



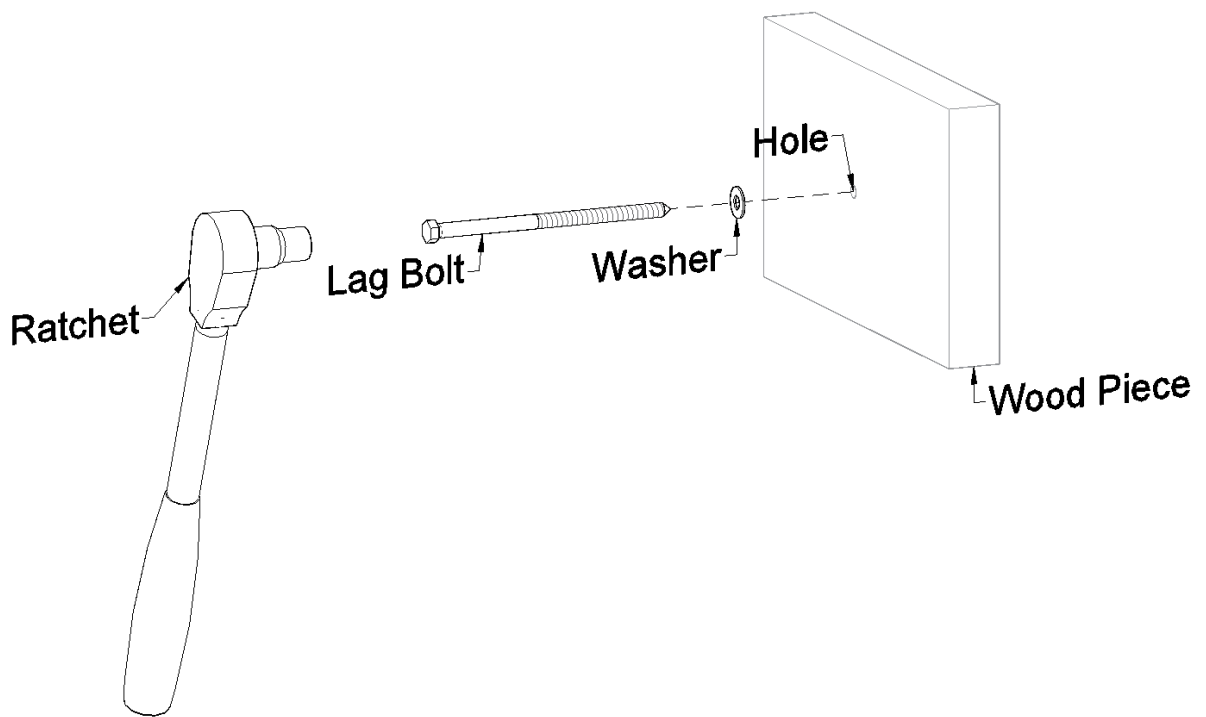
Required Tools (Are not included in your hardware packing).

PROCESS TO INSTALL THE HARDWARE PROVIDED.



To install the bolts.

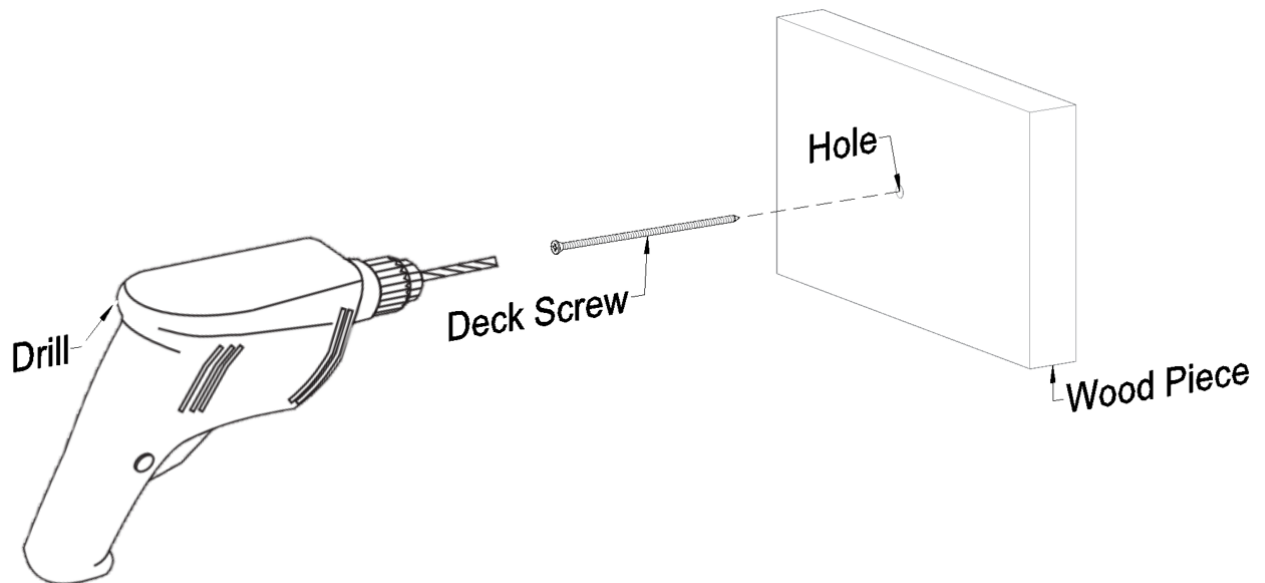
Insert the carriage bolts into the holes and lightly tap with a hammer until the square neck fit in the wood piece and the bolt head must flush with the wood piece. Finally, place the washer and the nut and carefully tighten it using a ratchet with the necessary socket or a wrench.



To install the lag bolts.





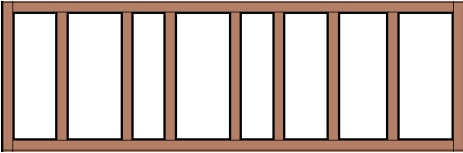
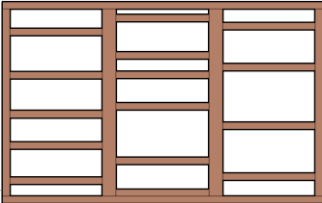
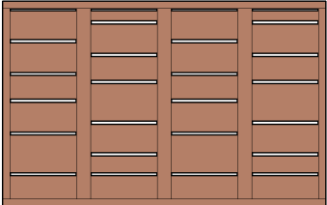
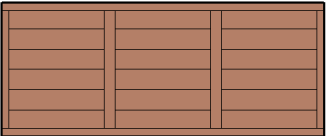



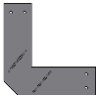
Place the washers in their lag bolts. After that, insert the lag bolts into the holes and carefully tighten it using a **ratchet** with the necessary **socket**.

Use the washers only for the Wood Pieces.











To install the deck screws.

Insert the deck screws into the holes and carefully tighten it using a drill.

CONTENT OF BOXES			
Qty.	Description	Drawing	No.
4	Post		1
4	Increase post		2
4	Supports		3
8	Increase supports		4
3	Large lateral panel		5
1	Short lateral panel		6
1	Back panel		7
2	Wood panel		8
8	Metal plaque cover		9
4	Diagonal roof support		10
1	Ridge beam		11
4	Metal plaques		12

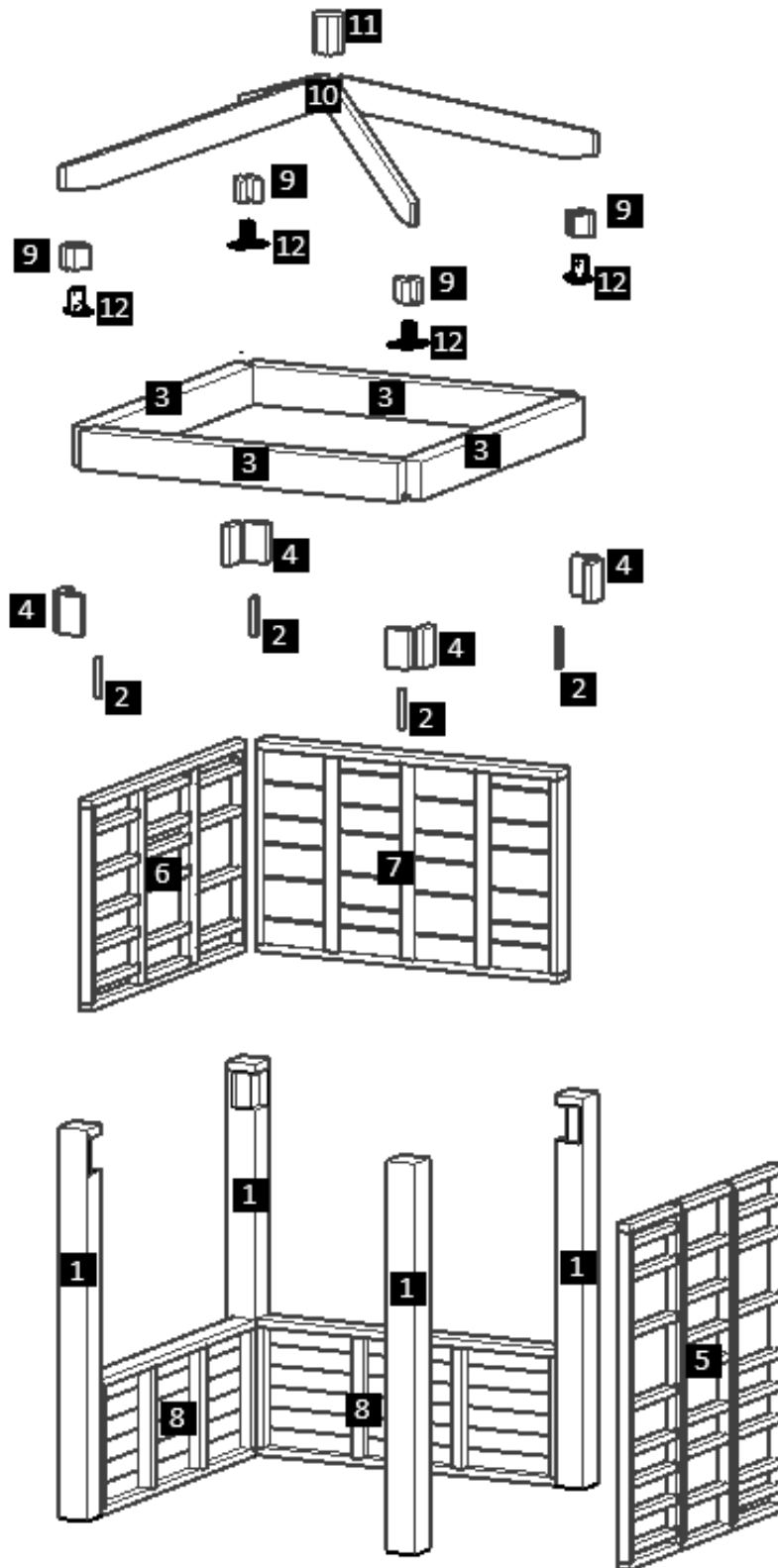
Note: Part numbers in the Content of Boxes Table are for reference only. These do not match to the numbers marked on the parts sent.

HARDWARE LIST

Qty.	Description	Drawing	No.
26	3/8" x 4 1/2" lag bolts		LB1
16	3/8" x 8" lag bolts		LB2
16	3/8" x 2 1/2" lag bolts		LB3
6	5/16" x 3 1/2" bolts		BL1
8	5/16" x 2 3/4" bolts		BL2
24	2 1/2" deck screws		DS1
38	3" deck screws		DS2
8	2" deck screws		DS3

Note: Dimensions of your hardware will vary depending on size.

Description	No.
Post	1
Increase post	2
Supports	3
Increase supports	4
Large lateral panel	5
Short lateral panel	6
Back panel	7
Wood panel	8
Metal plaque cover	9
Diagonal roof support	10
Ridge beam	11
Metal plaques	12

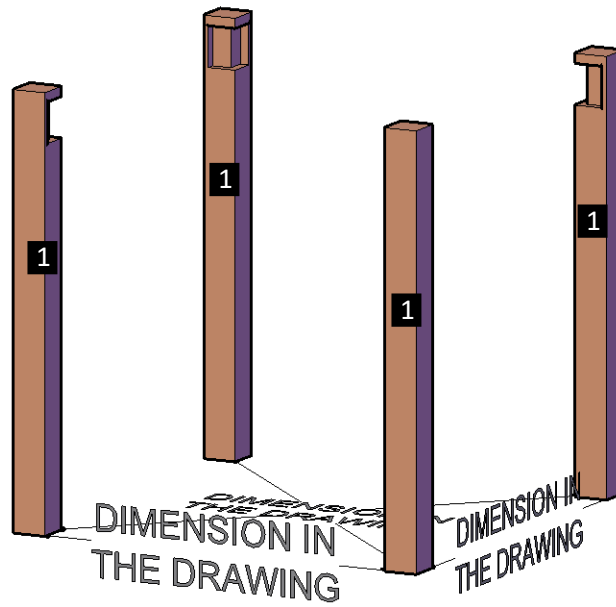


Note: Part numbers in the Drawing are for reference only. These do not match to the numbers marked on the parts sent.

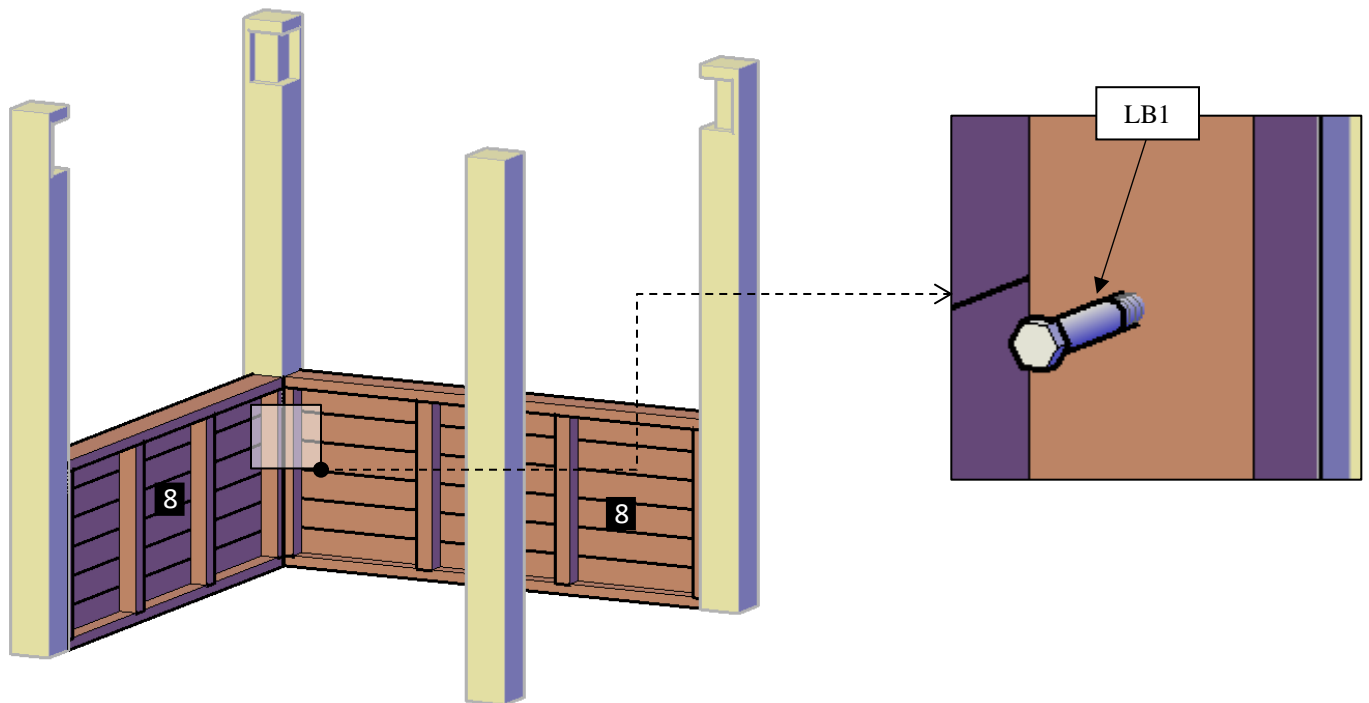
NOTE: In order to know where the post needs to be placed, check the numbers on them. If the post is not marked, then place the single Supports on the ground to locate the markings for each post position and clearly set your bearings. (“Don’t attach yet, only place them on the ground to begin with”).

Note: Before install the anchor bases make sure that the ground is level using a carpenter’s level or hydro-level (water level).

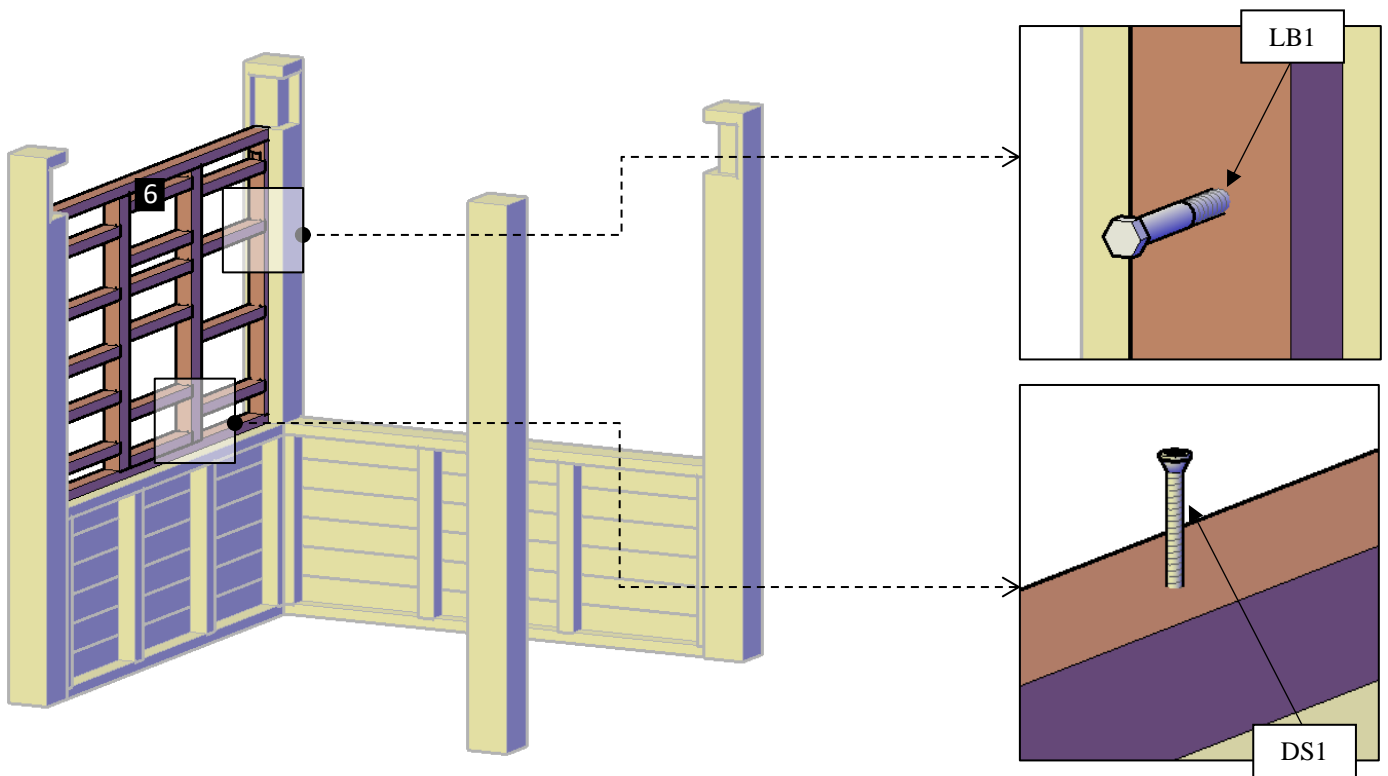
Step 1: put the post (1) in place.



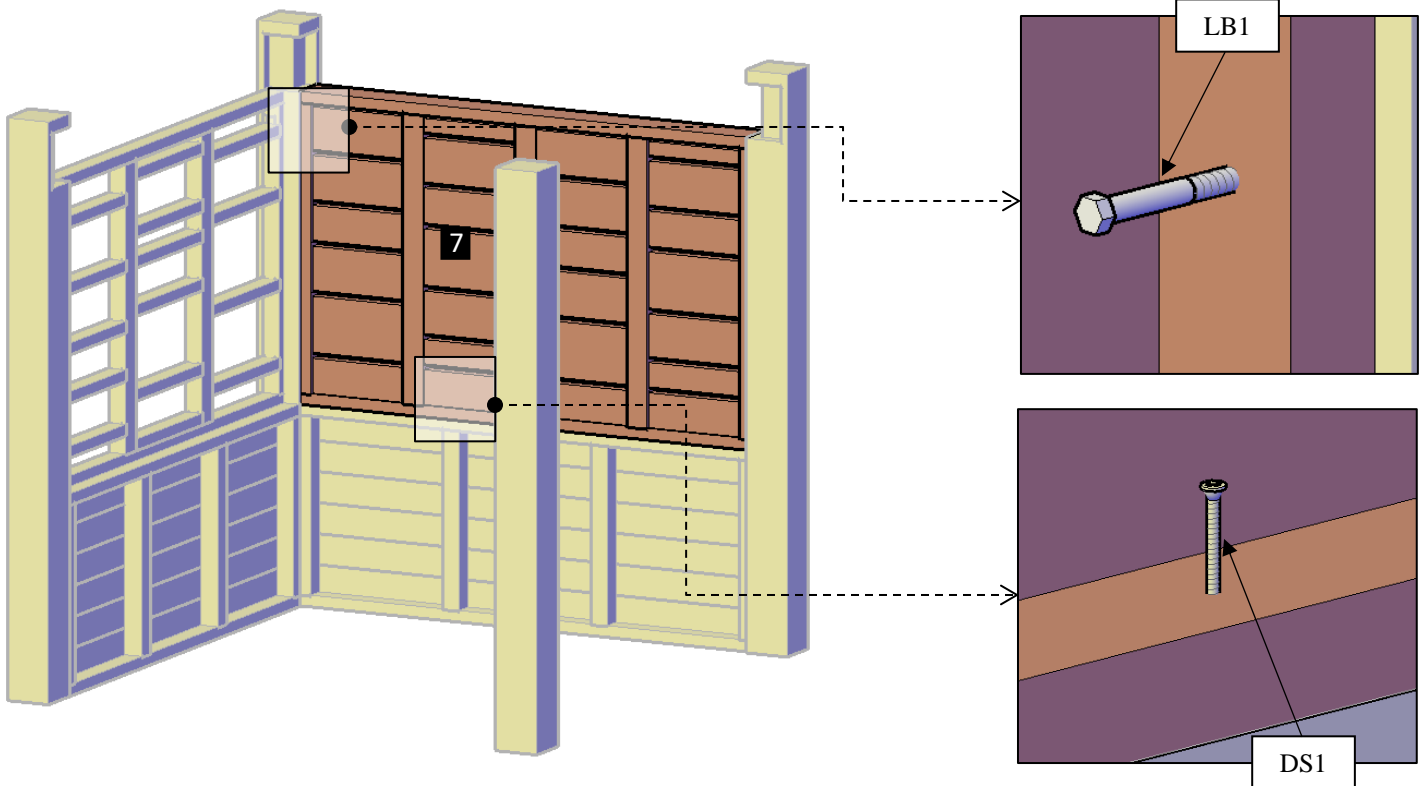
Step 2: Use 3/8” x 4 1/2” lag bolts (LB1) to attach the wood panel (8) to the post. check the marked number on each wall panel and place as drawings shown.



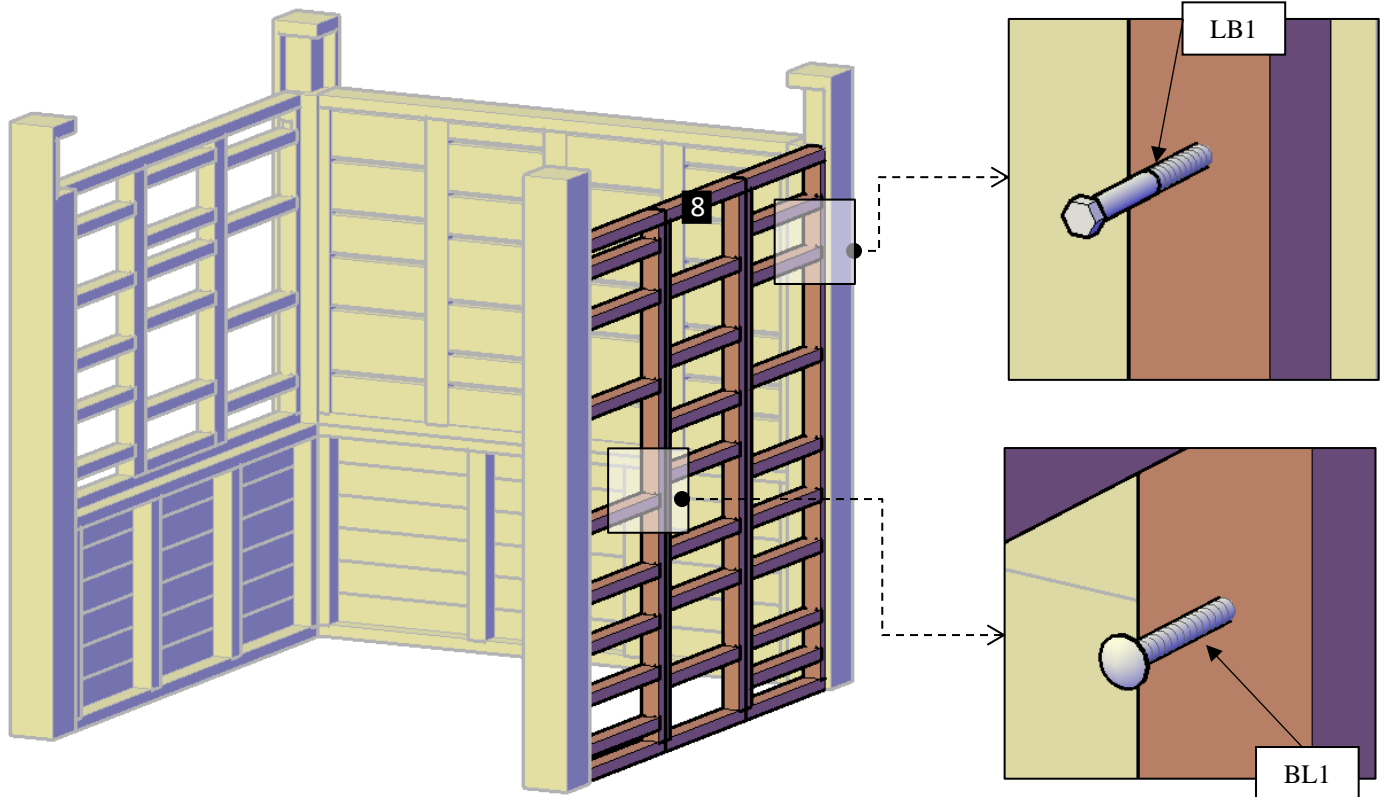
Step 3: attach the short lateral panel (6) to the post (1) with 3/8" x 4 1/2" lag bolts (LB1) and to the wood panel (8) with 2 1/2" deck screws (DS1). check the marked number on each short lateral panel and place as drawings shown.



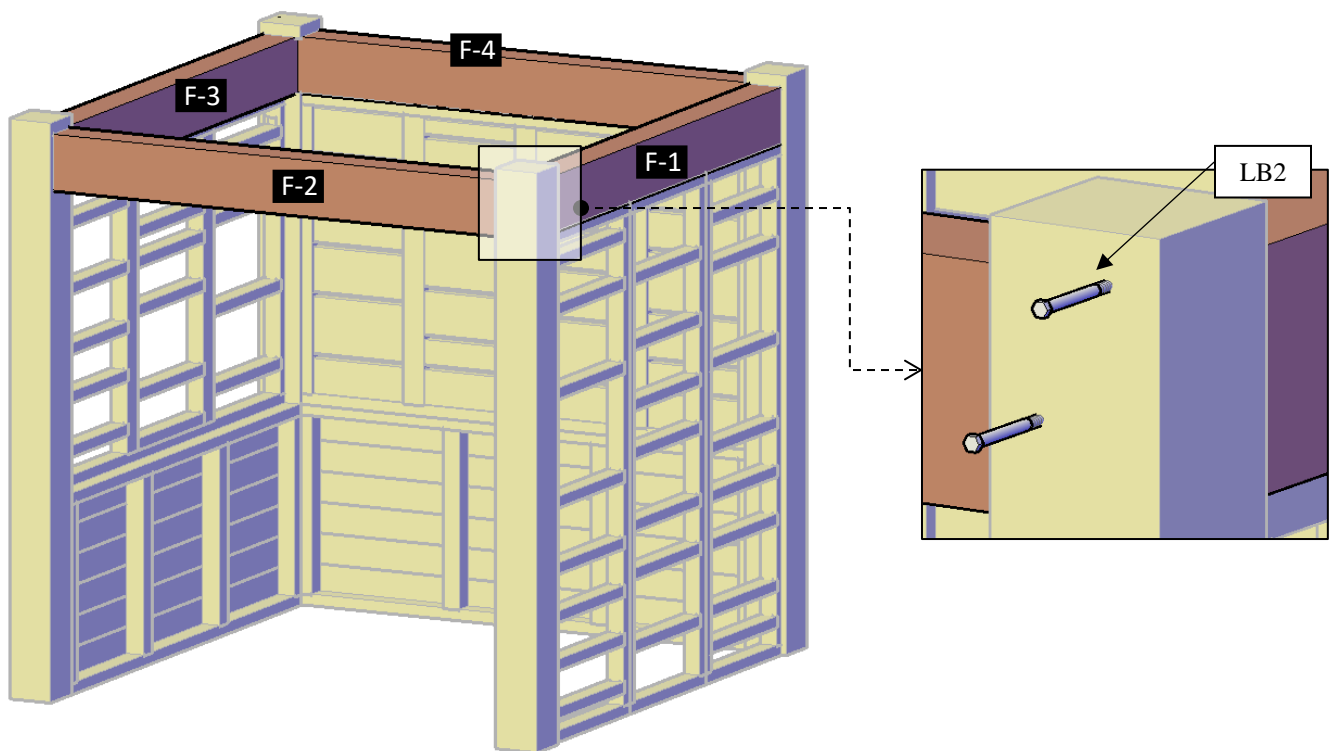
Step 4: attach the Back panel (7) to the post (1) with 3/8" x 4 1/2" lag bolts (LB1) and to the wood panel (8) with 2 1/2" deck screws (DS1). check the marked number on each back panel and place as drawings shown.



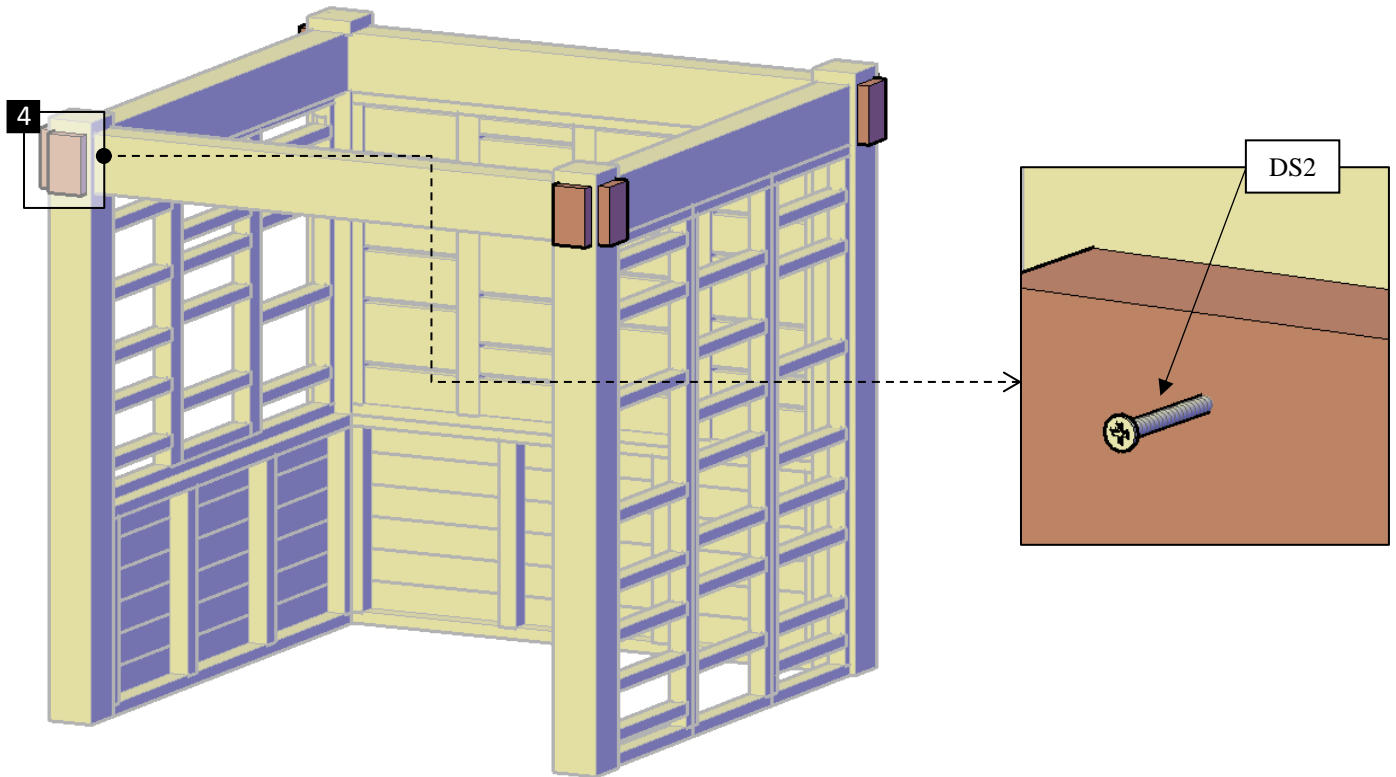
Step 5: attach the large lateral panel (5) to the post (1) with 3/8" x 4 1/2" lag bolts (LB1) and together with 5/16" x 3 1/2" bolts (BL1). check the marked number on each back panel and place as drawings shown.



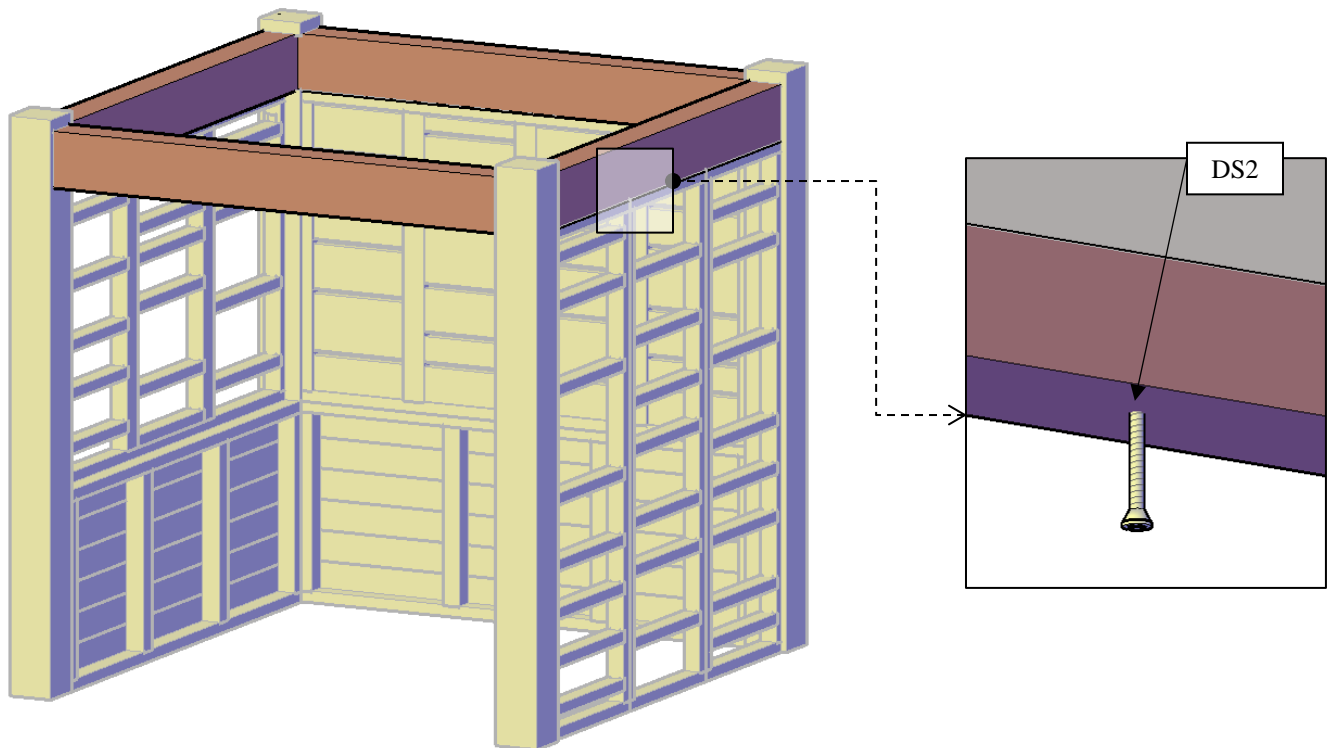
Step 6: Use 3/8" x 8" lag bolts (LB2) to attach the support (3) to the post (1). check the marked number on each support and place as drawings shown.



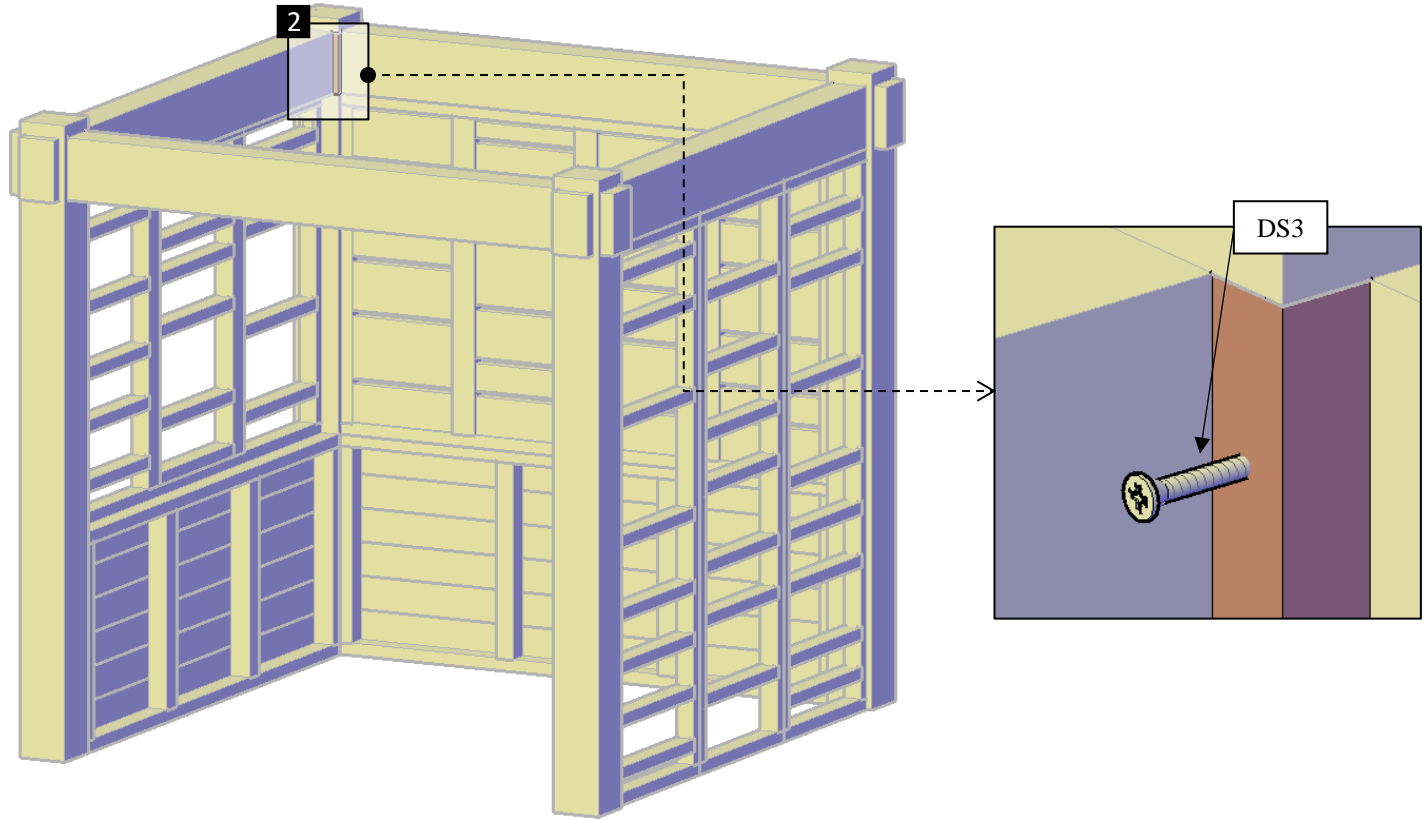
Step 7: Use 3" deck screws (DS2) to attach the increase supports (4) to the post.



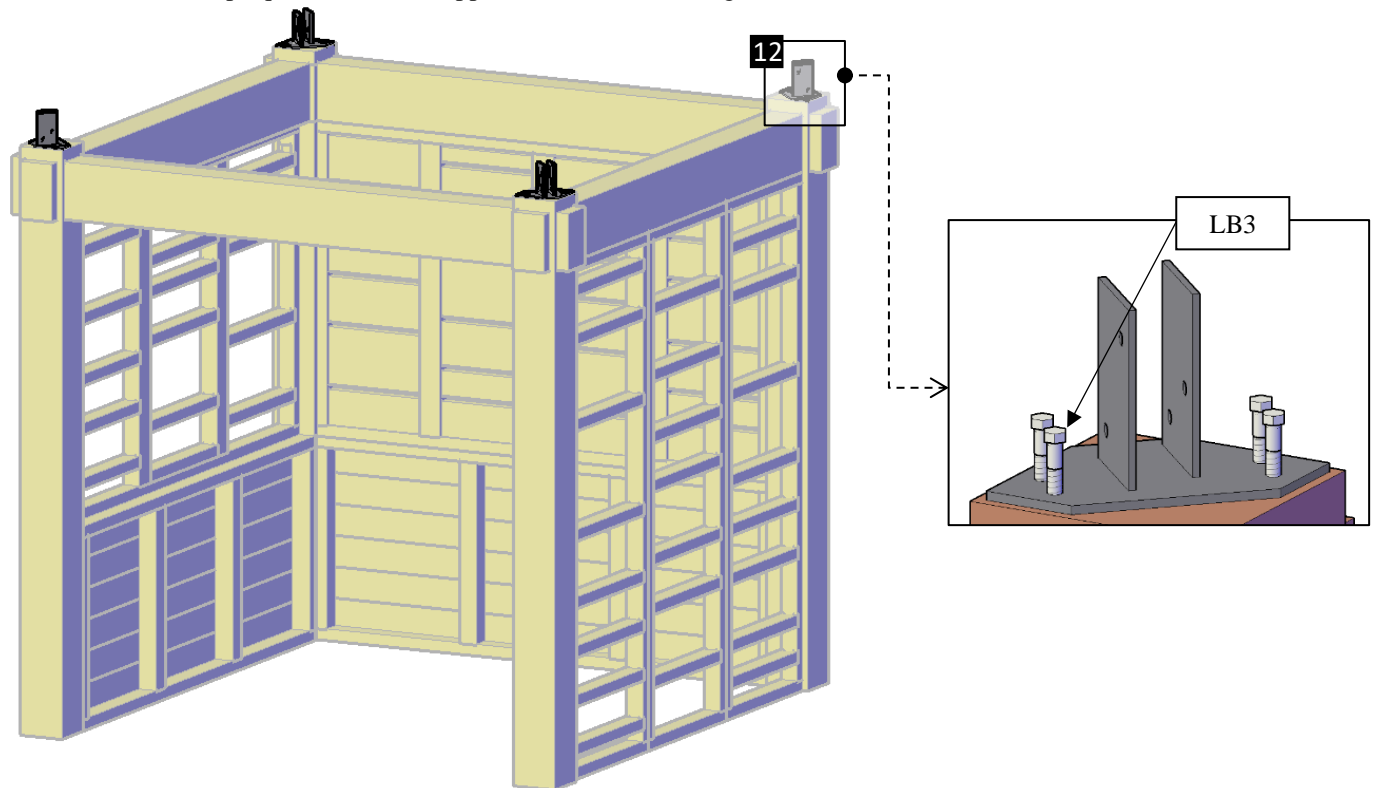
Step 8: Use 3" deck screws (DS2) to attach the walls to the supports



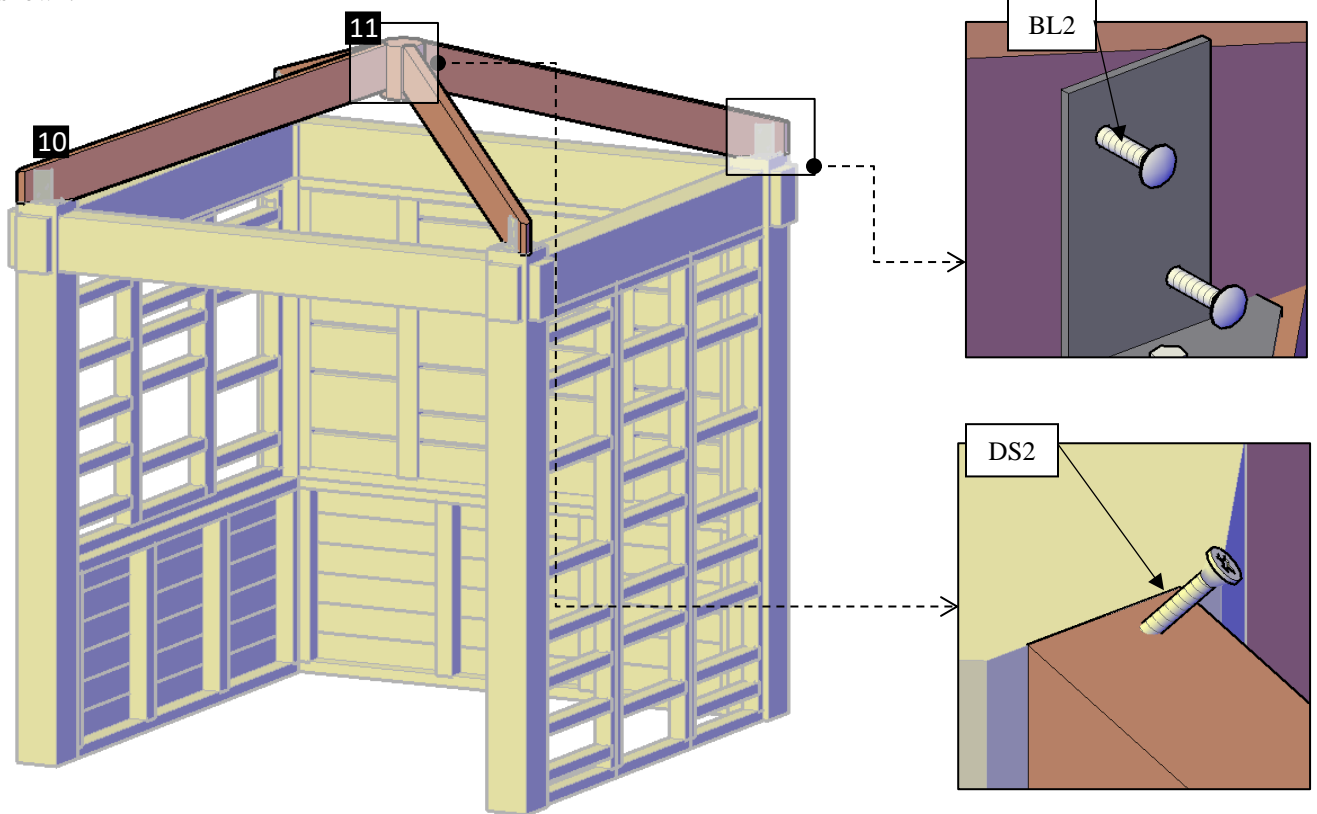
Step 9: Use 2" deck screws (DS3) to attach the increase post (2) to the post.



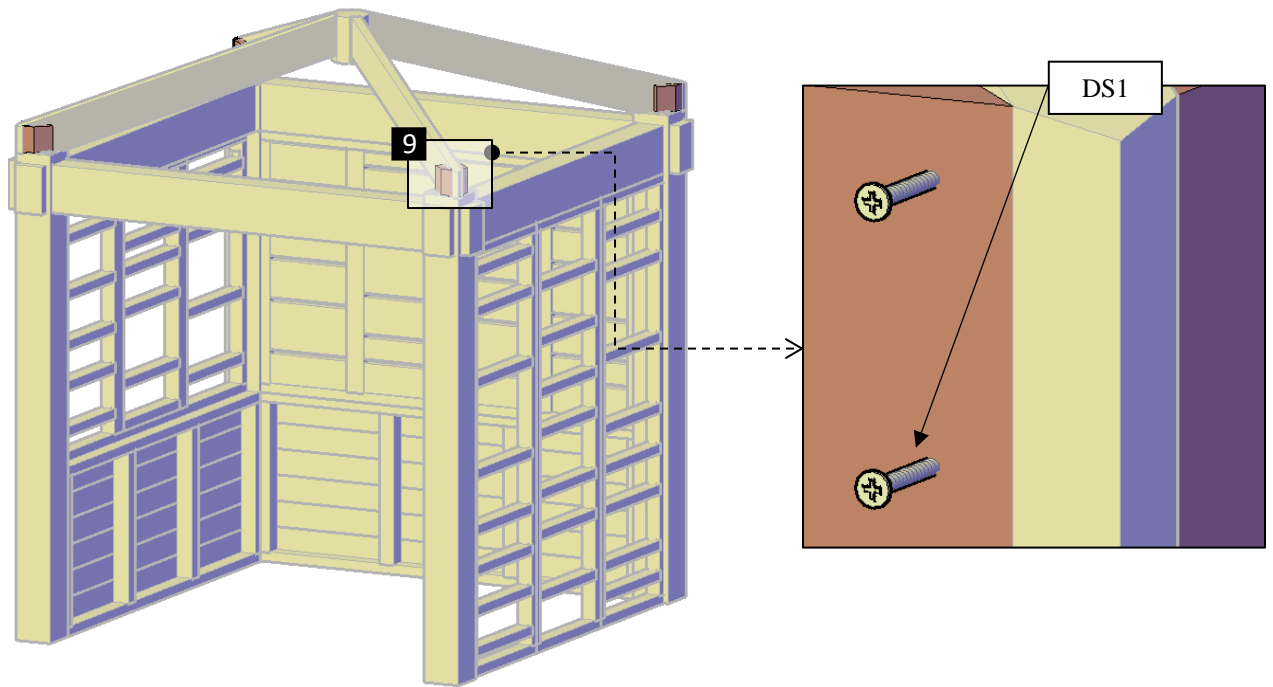
Step 10: Attach the metal plaques (12) to the support with 3/8" x 2 1/2" lag bolts (LB3).

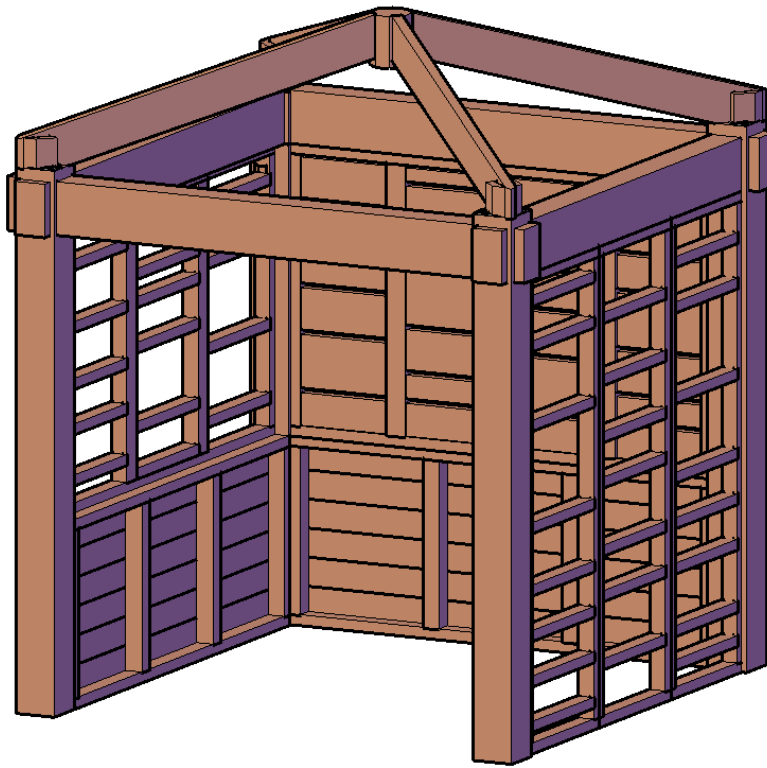


Step 11: Attach diagonal roof support (10) to the metal plaques (12) with 5/16" x 2 3/4" bolts (BL2) and use 3" deck screws (DS2) to attach the diagonal roof support (10) to the ridge beam (11). Check the marked number on each roof support and place as drawings shown.



Step 12: Finally, attach Metal plaque cover (9) to the post with 2 1/2" deck screws (DS1). Check the marked number on each Metal plaque cover and place as drawings shown.





This completes the Pergola assembly. Hope you enjoy your set for many decades. If you ever have a problem or a question, don't hesitate to call us (866 332 2403) or email us. We are here to support you.

