



FOREVER REDWOOD

From the Forest, For the Forest since 1995

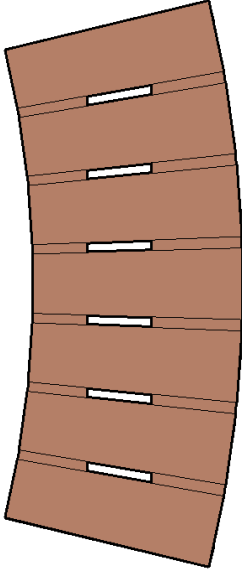
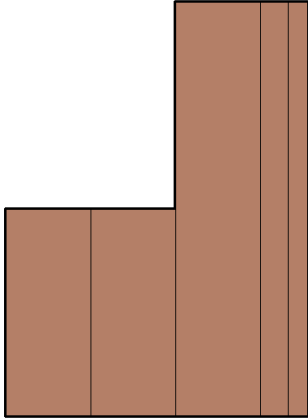
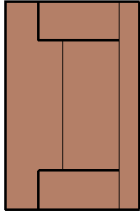
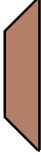
866.332.2403 (TOLL FREE); 7am – 7pm Pacific Time, Monday-Saturday

ASSEMBLY INSTRUCTIONS FOR THE CIRCULAR WOODEN SPA STEP



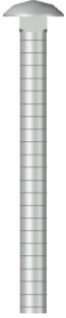



CONTENT OF BOXES

Qty.	Description	Drawing	No.
2	Steps		1
2	Lateral Legs		2
1	Central Leg		3
4	Diagonal Supports		4

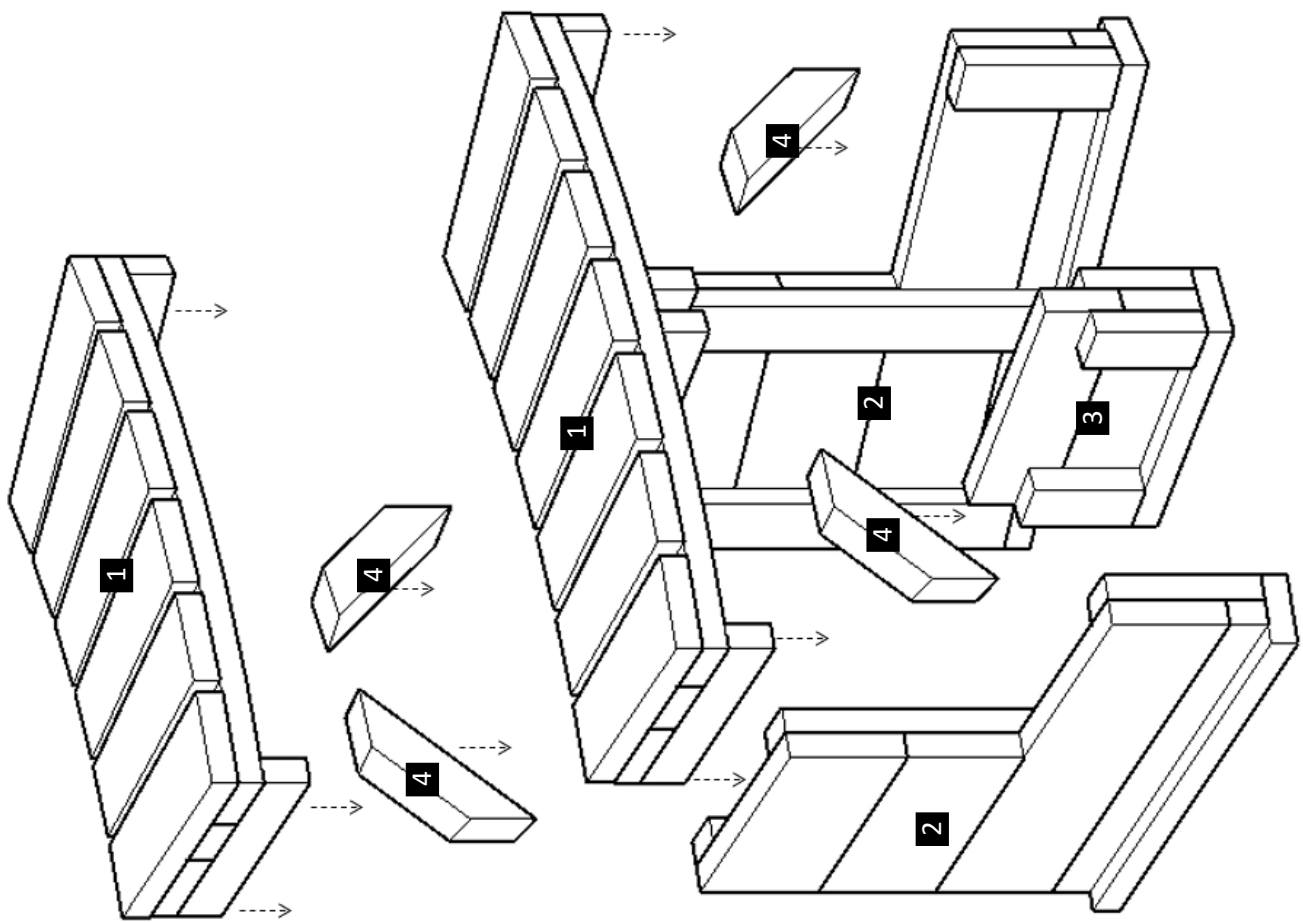
Note: Part numbers in the Content of Boxes Table are for reference only. These do not match to the numbers marked on the parts sent.



HARDWARE LIST		
Description	Drawing	No.
5/16" x 3 1/2" Bolts (To attach the steps to the legs).		A
2 1/2" Deck Screws (To attach the diagonal supports to the legs and to the steps).		B

Note: Dimensions of your hardware will vary depending on size.

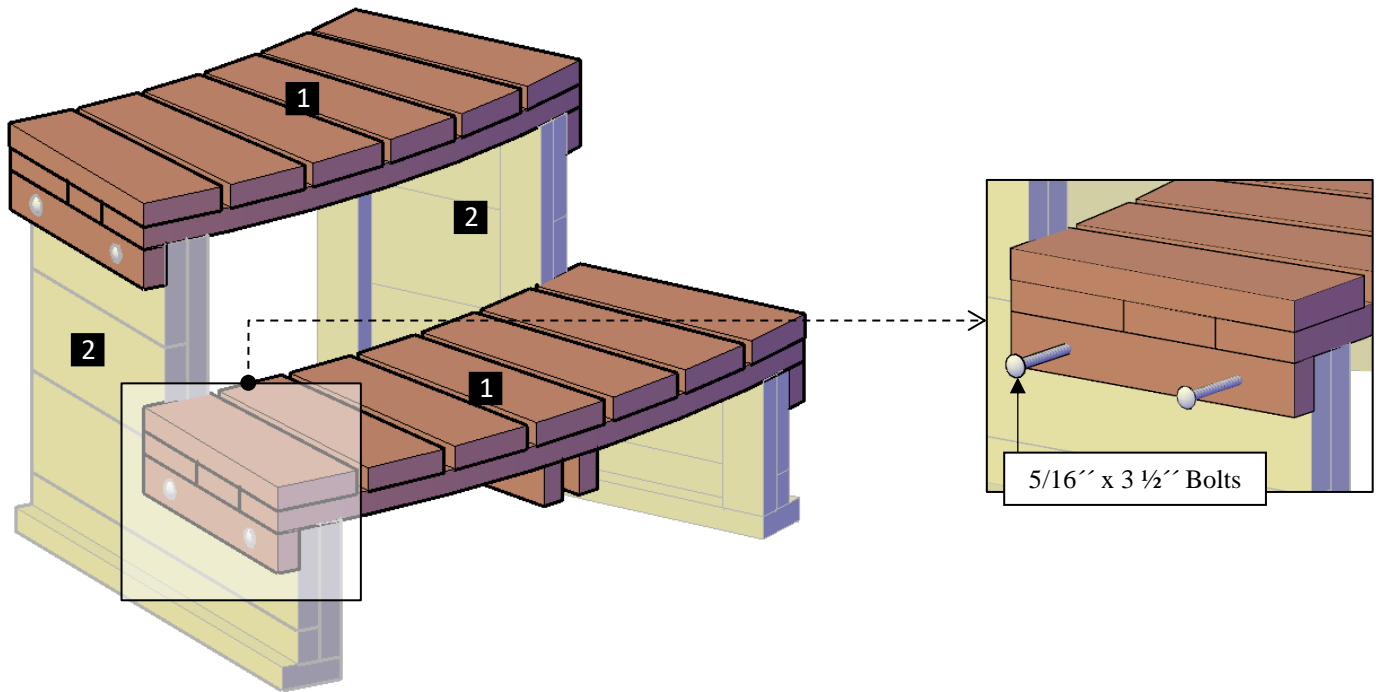




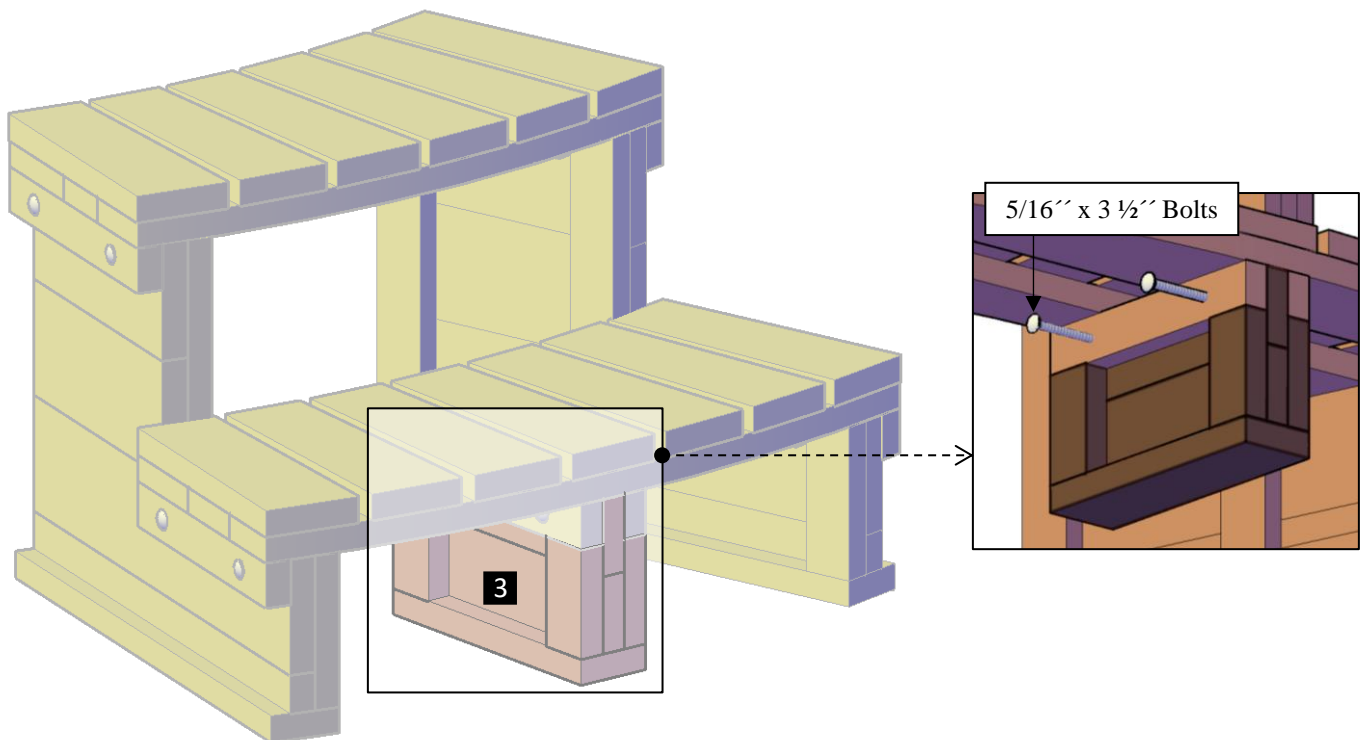
DESCRIPTION	No
Steps	1
Lateral Legs	2
Central Leg	3
Diagonal Supports	4

Note: Part numbers in the Drawing are for reference only. These do not match to the numbers marked on the parts sent.

Step 1: Use 5/16" x 3 1/2" bolts (A) to attach the steps (1) to the lateral legs (2). Each part has a series of numbers that indicate where to attach the part with the corresponding number.

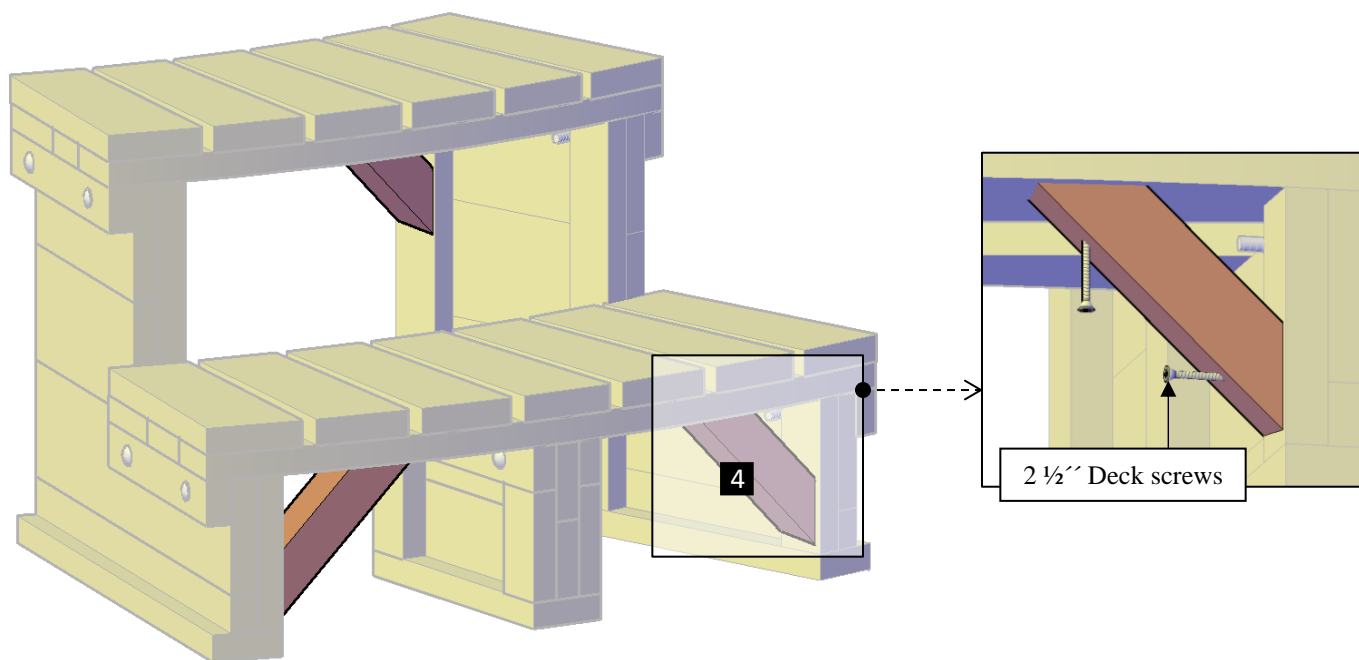


Step 2: Attach the central leg (3) to the lower step with 5/16" x 3 1/2" bolts (A). Each part has a series of numbers that indicate where to attach the part with the corresponding number.

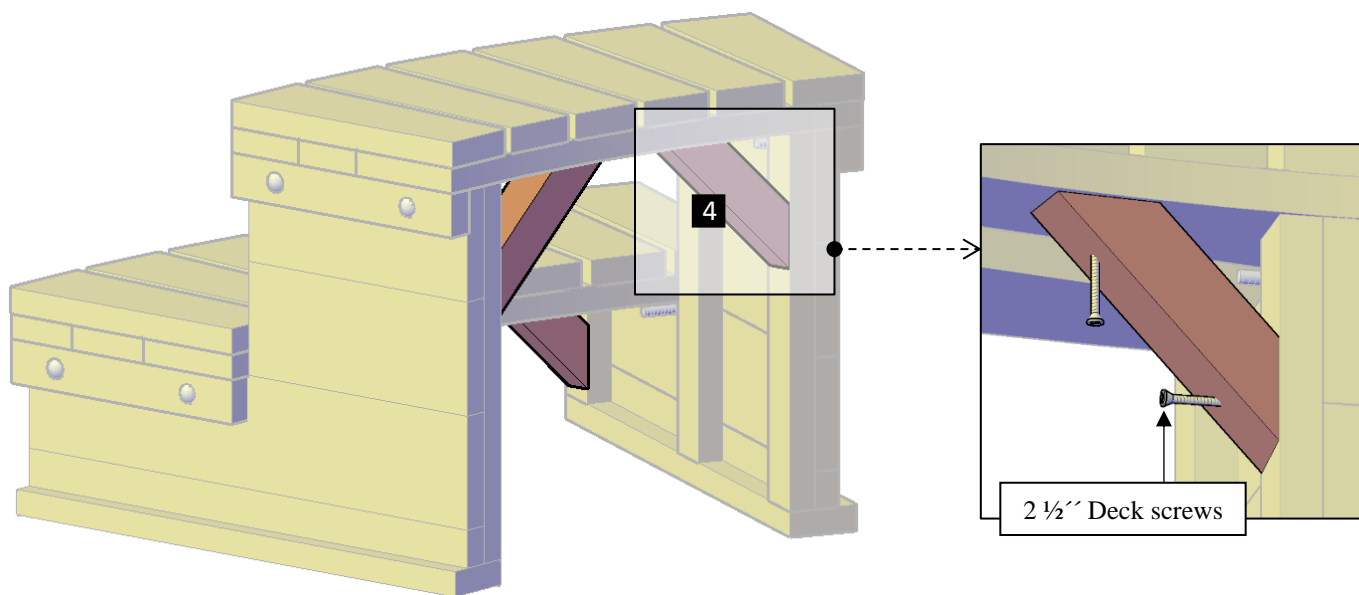


Step 3: Finally, attach the diagonal supports (4) to the legs and to the steps with 2 ½" deck screws (B). Each part has a series of numbers that indicate where to attach the part with the corresponding number.

Front View:



Back View:





This completes the Spa Step assembly. Hope you enjoy your set for many decades. If you ever have a problem or a question, don't hesitate to call us (866 332 2403) or email us. We are here to support you.