



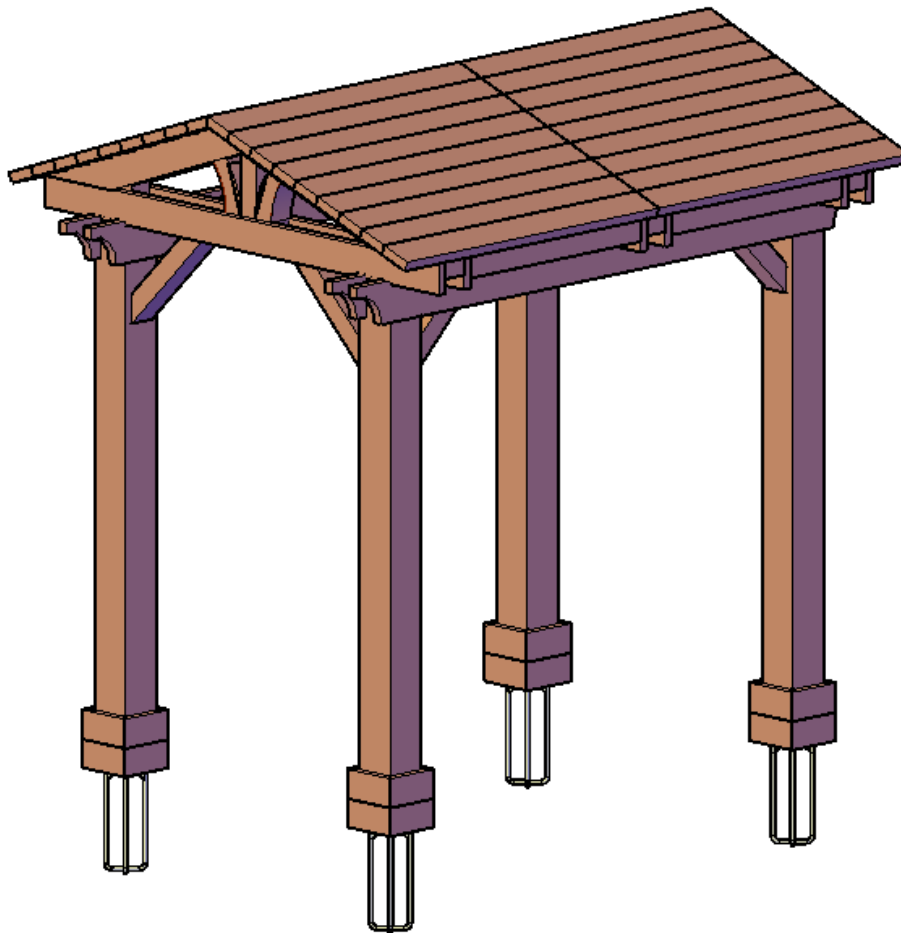
FOREVER REDWOOD

From the Forest, For the Forest since 1995

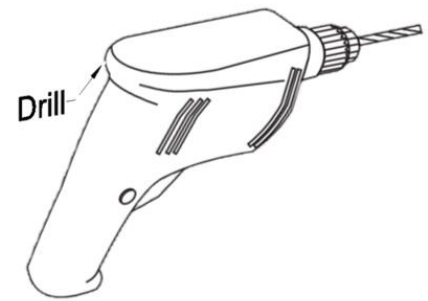
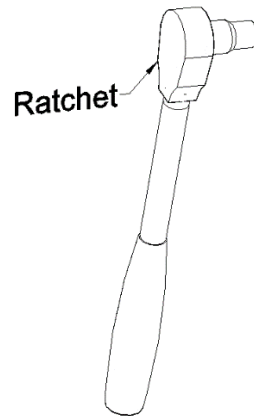
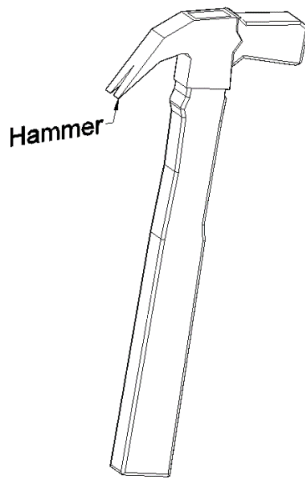
866.332.2403 (TOLL FREE) (707) 640.29.05 (Option 4) Direct Line for the

Design Department; 7am – 7pm Pacific Time, Monday-Saturday

ASSEMBLY INSTRUCTIONS FOR THE CUSTOM THE BREEZY SMALL PAVILION

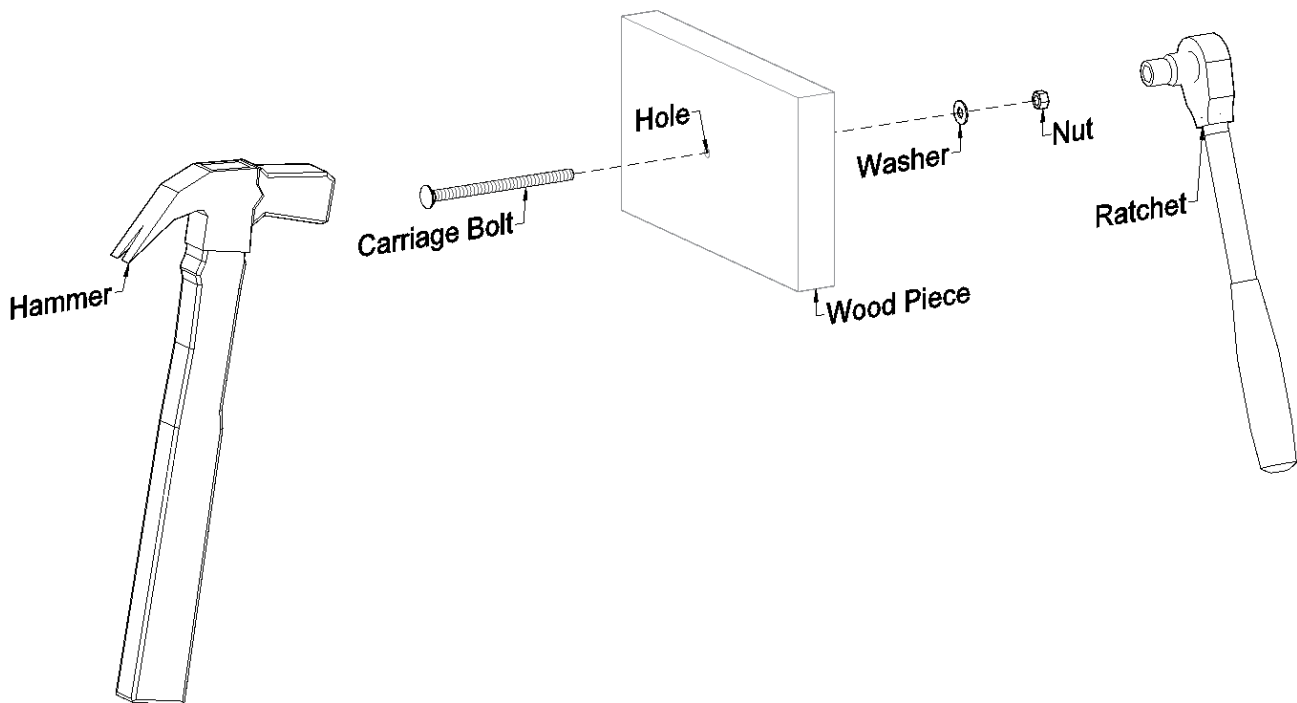


NOTE: Assembly is best done by two people. To assemble your product, you need a Hammer, a Ratch or a wrench and if required a Drill.



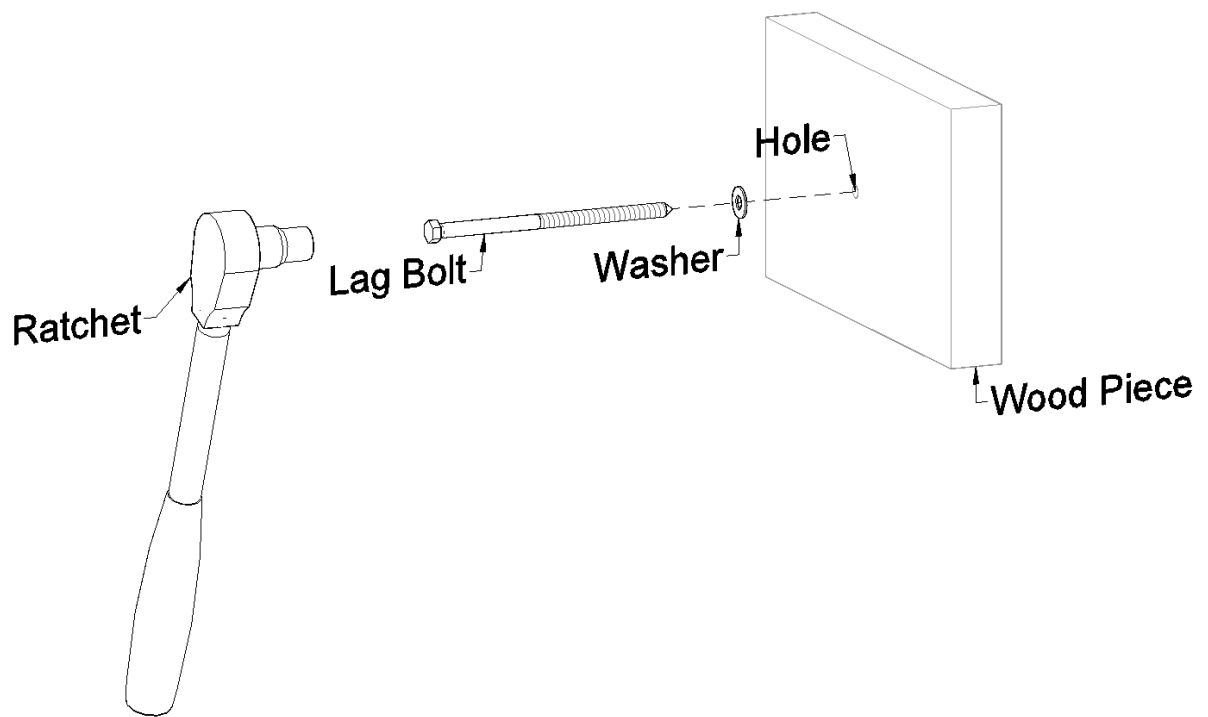
Required Tools (Are not included in your hardware packing).

PROCESS TO INSTALL THE HARDWARE PROVIDED.



To install the bolts.

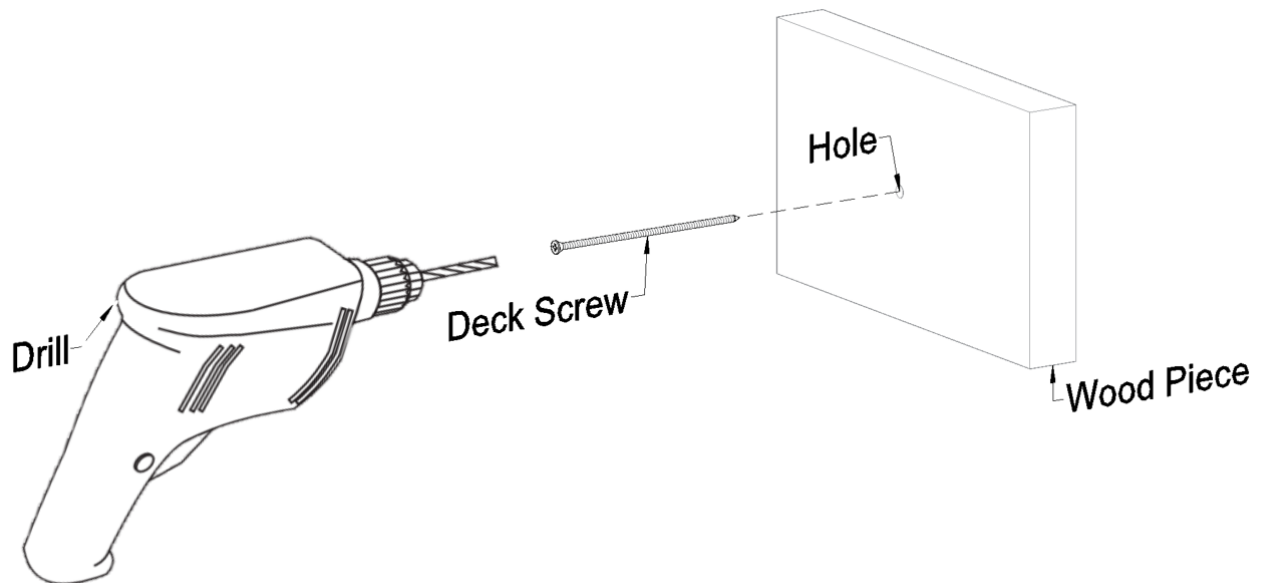
Insert the carriage bolts into the holes and lightly tap with a hammer until the square neck fit in the wood piece and the bolt head must flush with the wood piece. Finally, place the washer and the nut and carefully tighten it using a ratchet with the necessary socket or a wrench.



To install the lag bolts.

Place the washers in their lag bolts. After that, insert the lag bolts into the holes and carefully tighten it using a **ratchet** with the necessary **socket**.


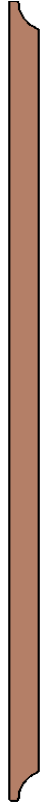
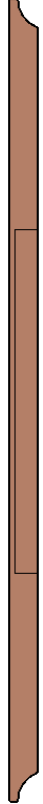
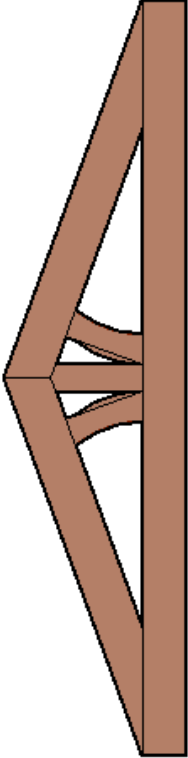


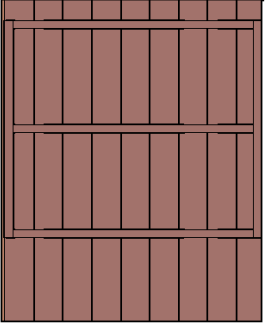
Use the washers only for the Wood Pieces.



To install the deck screws.



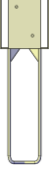
Insert the deck screws into the holes and carefully tighten it using a drill.

CONTENT OF BOXES

Qty.	Description	Drawing	No.
4	Posts		1
2	Single Supports		2
2	Supports with In-Between Blocking		3
3	Roof Trusses		4
4	Main Knee Braces		5
4	Secondary Knee Braces		6
4	Roof Panels		7



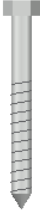
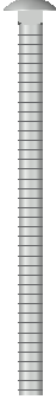
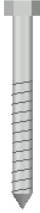
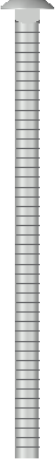
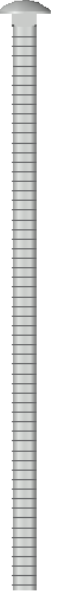
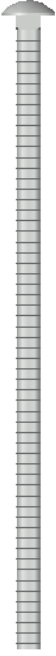

CONTENT OF BOXES

Qty.	Description	Drawing	No.
2	Metal plaques		8
4	Boots		9
4	High wind anchor Bases		10

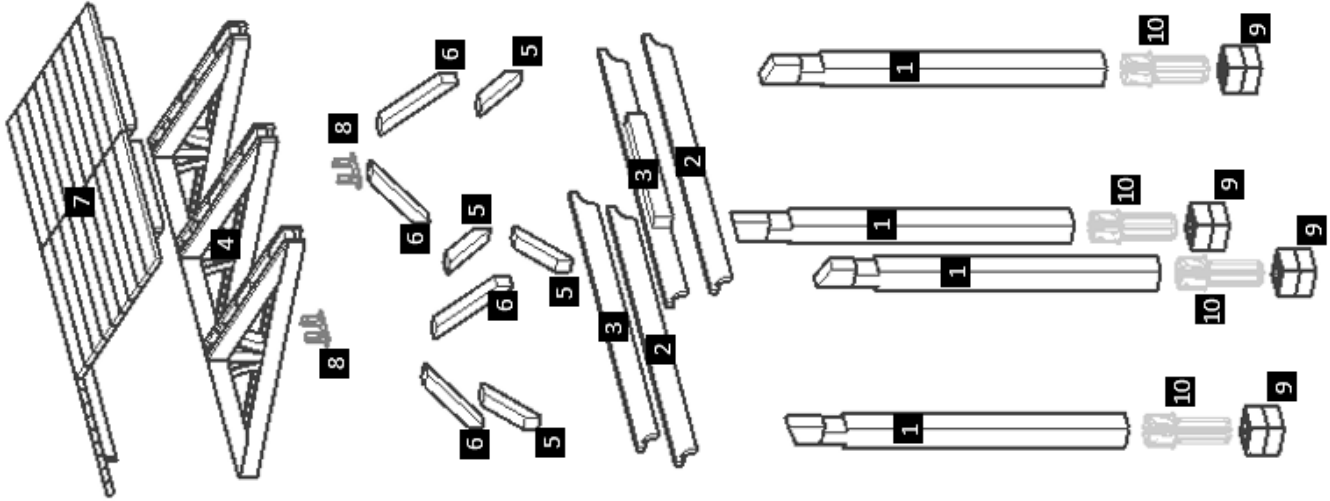
Note: Part numbers in the Content of Boxes Table are for reference only. These do not match to the numbers marked on the parts sent.



HARDWARE LIST

Qty.	Description	Drawing	No.
32	3/8" X 3" Lag Bolts (To attach the posts to the anchor bases to the post/ To attach the metal plates to the supports).		A
30	3/8" X 7 1/2" Bolts (To attach the single supports to the posts. / To attach the single supports to the supports with in-between blocking/ To attach the knee braces to the supports and roof trusses).		B
12	5/16" X 3" Lag Bolts (To attach the metal plaques to the supports/To attach the metal plaques to the central roof trusses/to attach the central roof trusses to the supports).		C
4	3/8" X 9 1/2" Bolts (To attach the knee braces to the posts/To attach the roof panels to the perimeter roof trusses).		D
8	3/8" X 9" Bolts (To attach the roof panels to the central roof trusses).		E
4	3/8" x 10 1/2" bolts (To attach the roof panels to the perimeter roof trusses).		F
220	3" deck screws (To attach the roof boards to the roof trusses/to attach the boots to the post).		G

Note: Dimensions of your hardware will vary depending on size.



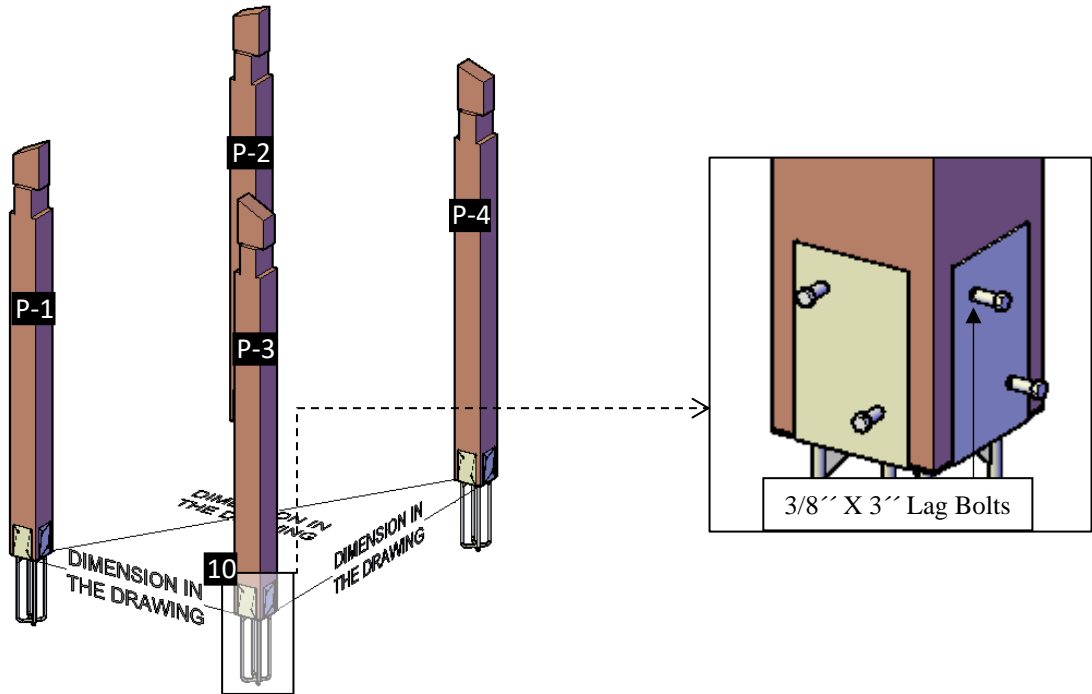
DESCRIPTION	No
Posts	1
Single Supports	2
Supports with In-Between Blocking	3
Roof Trusses	4
Main Knee Braces	5
Secondary Knee Braces	6
Roof Panels	7
Metal plaques	8
Boots	9
High wind bases	10

Note: Part numbers in the Drawing are for reference only. These do not match to the numbers marked on the parts sent.

NOTE: In order to know where the post needs to be placed, check the numbers on them. If the post is not marked, then place the single Supports on the ground to locate the markings for each post position and clearly set your bearings. (“Don’t attach yet, only place them on the ground to begin with”).

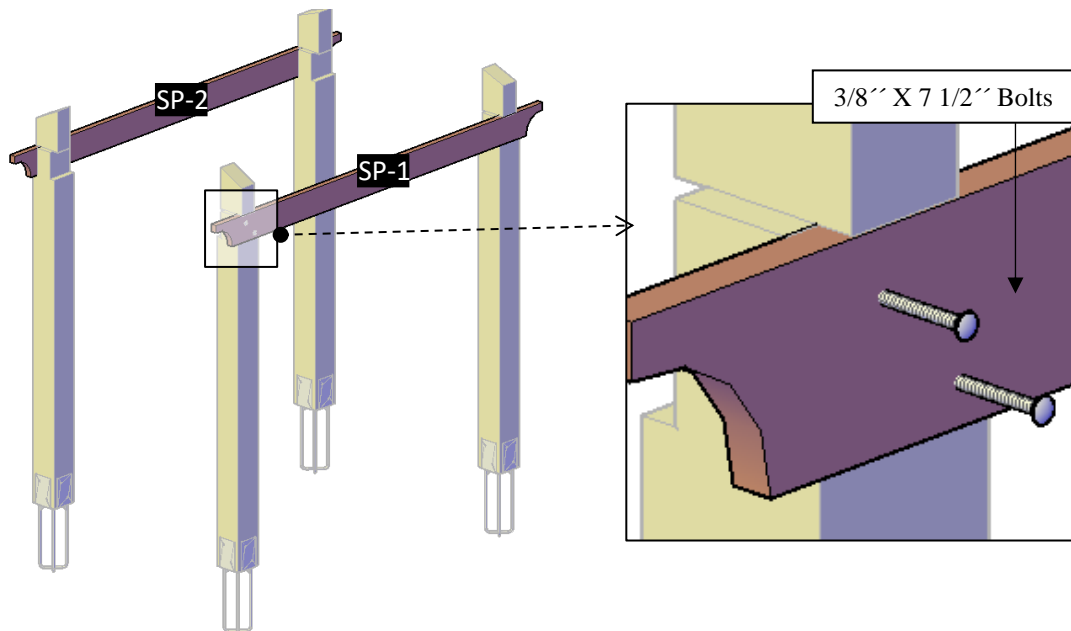
Note: Before install the anchor bases make sure that the ground is level using a carpenter’s level or hydro-level (water level).

Step 1: Install the anchor bases (10). After that, set your post (1) in the saddle of the anchor bases (10). Drill a ϕ 1/4” hole in the post prior to anchoring to facilitate the ratcheting of the hardware. After that, use a 3/8” X 3” lag bolts (A) to attach each post to its respective anchor bases (10).

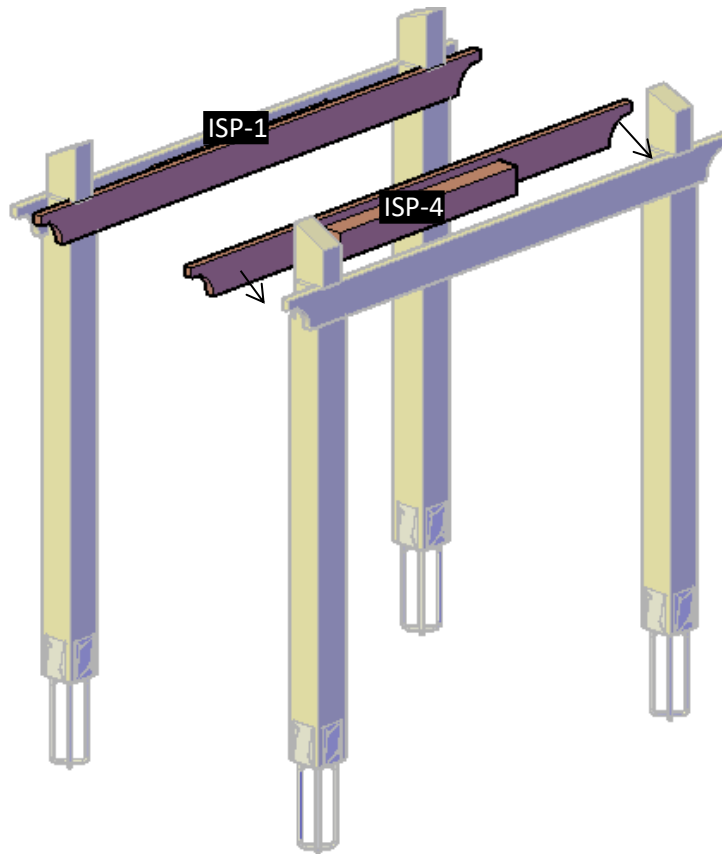


Step 2: Attach the single supports (2) to the posts with 3/8”x 7 1/2” bolts (B). Check the marked on each support and place as drawings shown.

Note: Don’t completely tighten yet the bolts – you will need the install the supports with in between blocking first.



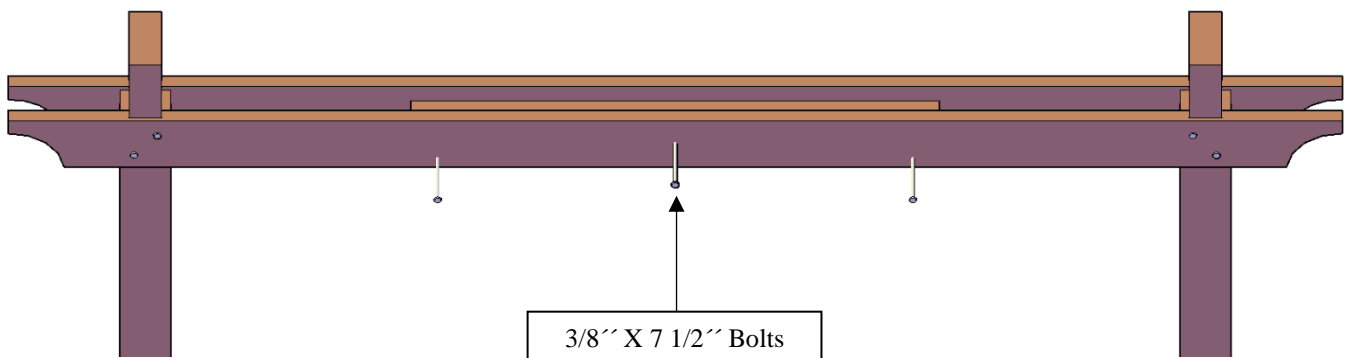
Step 3: Put up the supports with in-between blocking (3), into the post notches as shown and attach to the posts with the single support bolts. Check the marked on each support with in-between blocking and place as drawings shown.



Step 4: Attach the single supports to the supports with in-between blocking, use 3/8" X 7 1/2" bolts (B).

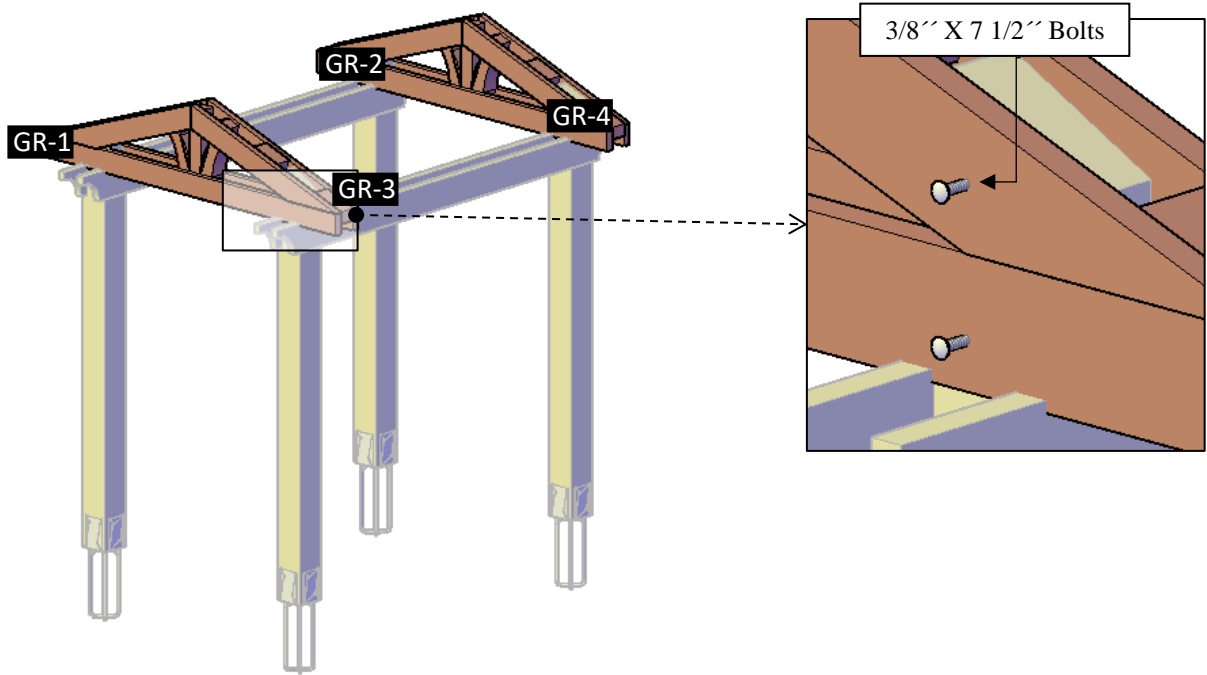
Note: return to the bolts described in the step 2 and tighten fully.

Note: put silicone in the support joins.

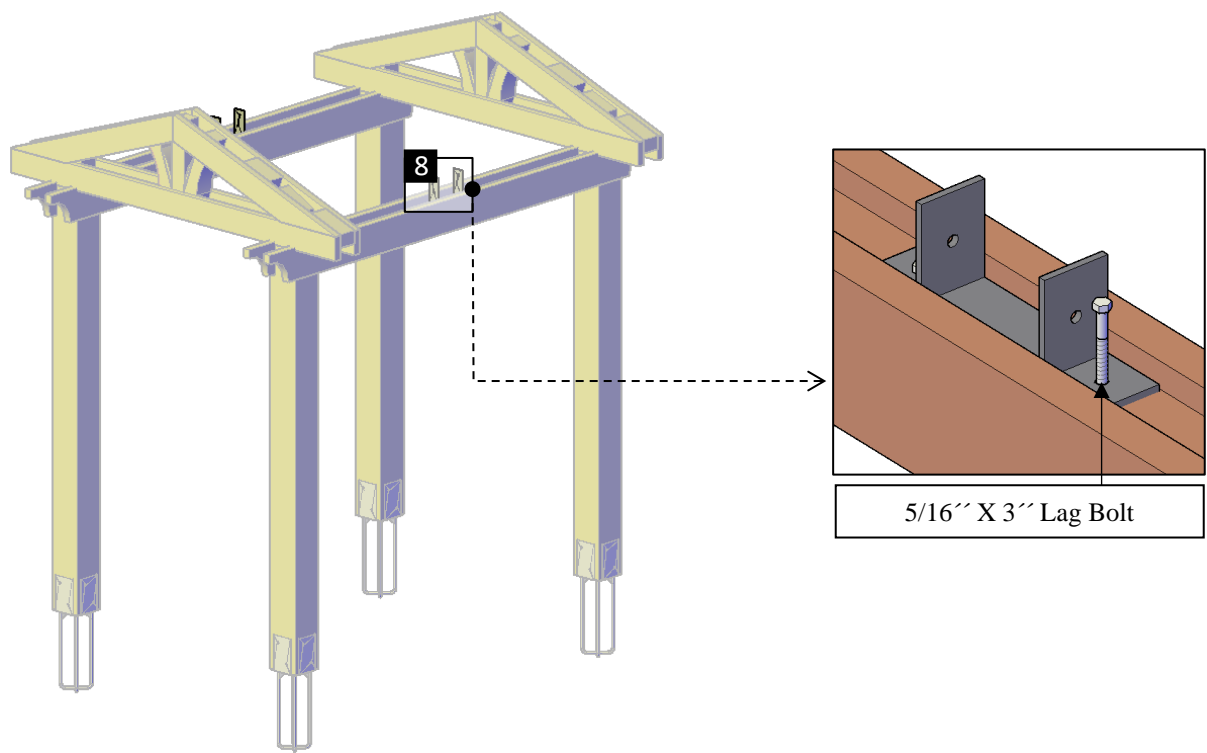


Step 5: Attach the Roof Trusses (4) to the posts with 3/8" x 7 1/2" bolts (B). Check the marked on each roof trusses and place as drawings shown.

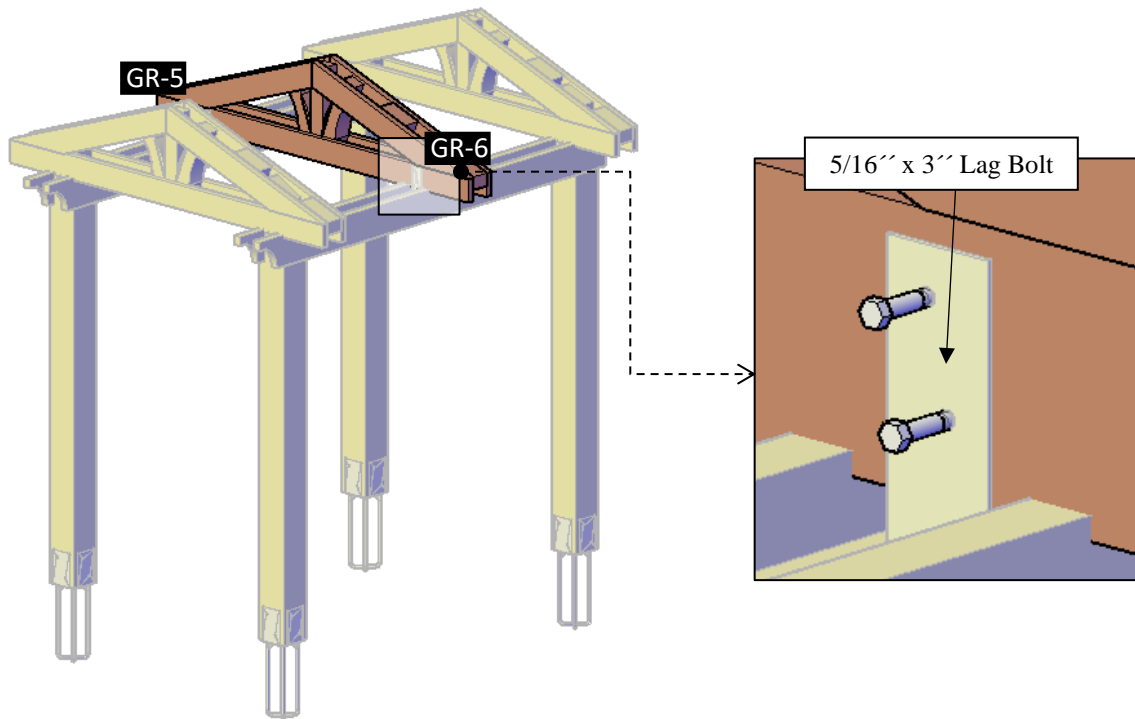
Note: put silicone in the roof trusses joins.



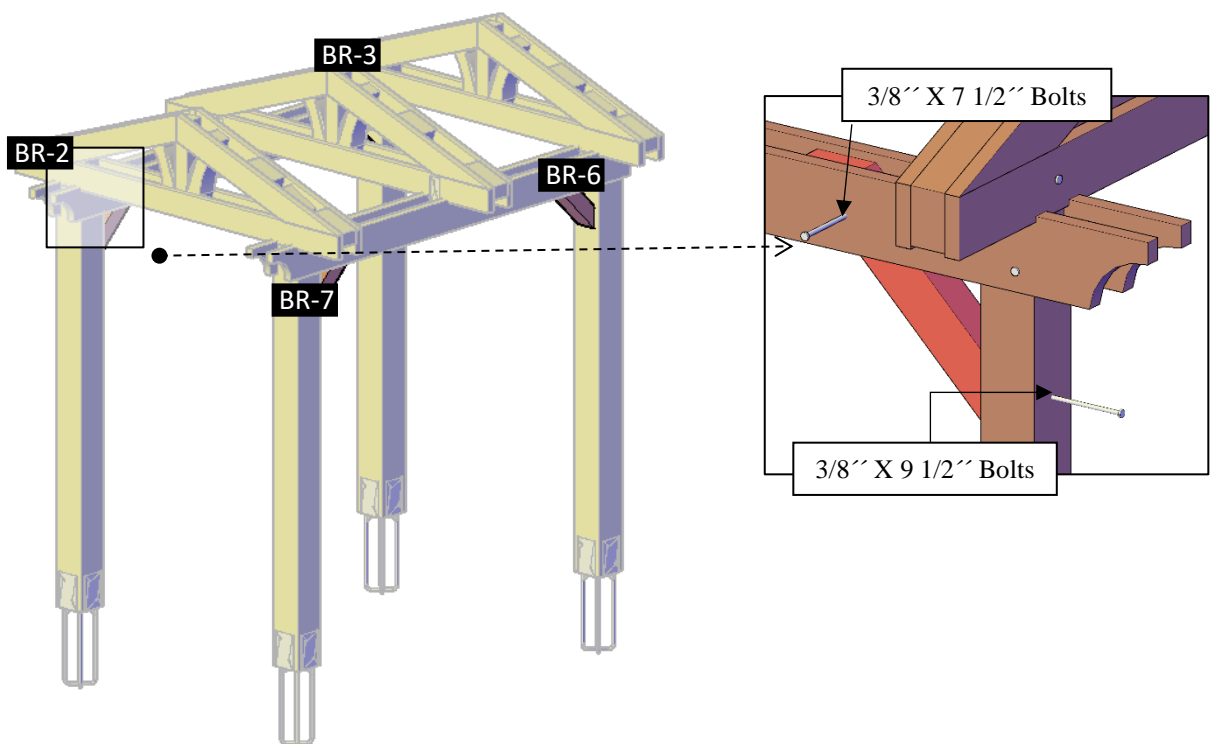
Step 6: Attach the metal plaques (8) to the supports with in-between blocking with 5/16" x 3" Lag Bolt (C).



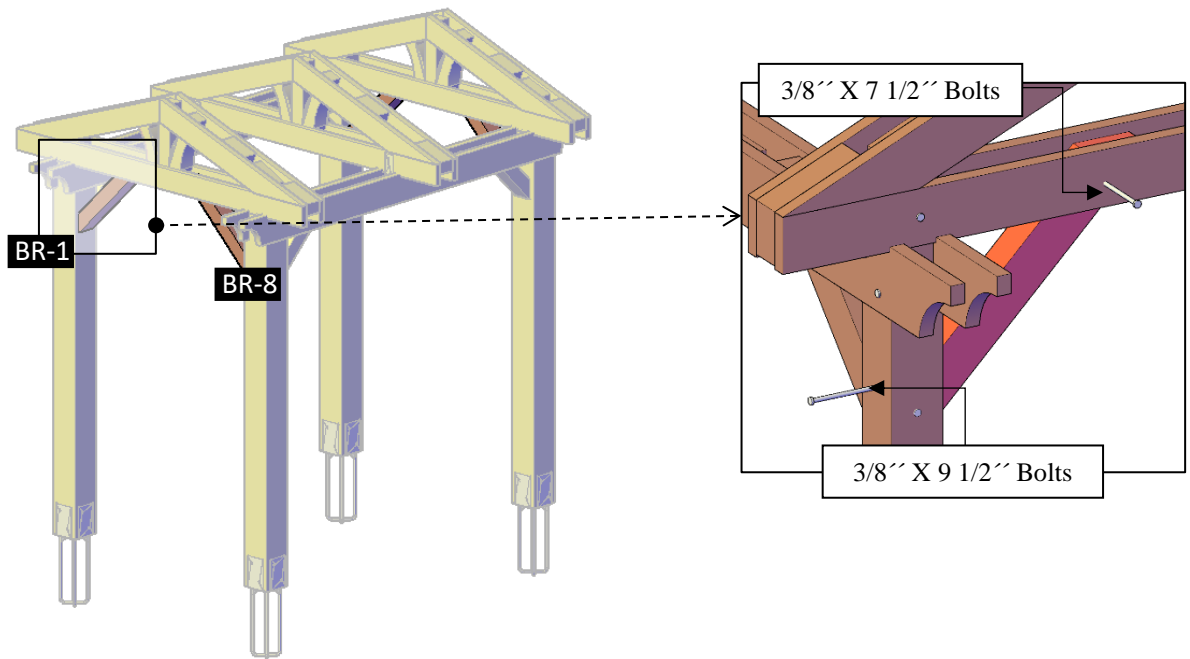
Step 7: Attach the central Roof Trusses (4) to the metal plaques with 5/16" x 3" Lag Bolt (C). Check the marked on each roof trusses and place as drawings shown.



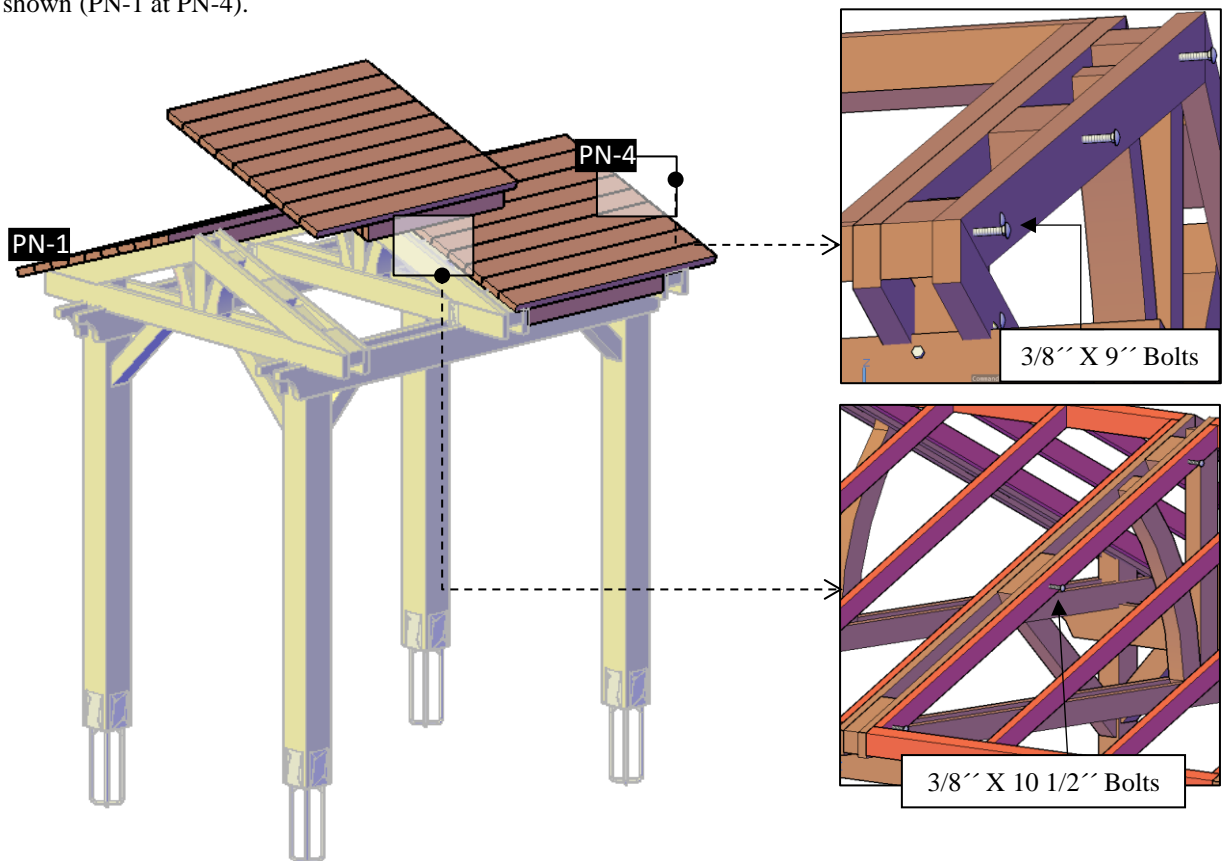
Step 8: Attach the main knee braces (5) to the supports with 3/8" x 7 1/2" Bolts (B) and to the posts with 3/8" x 9 1/2" bolts (D). Check the marked on each main knee braces and place as drawings shown.



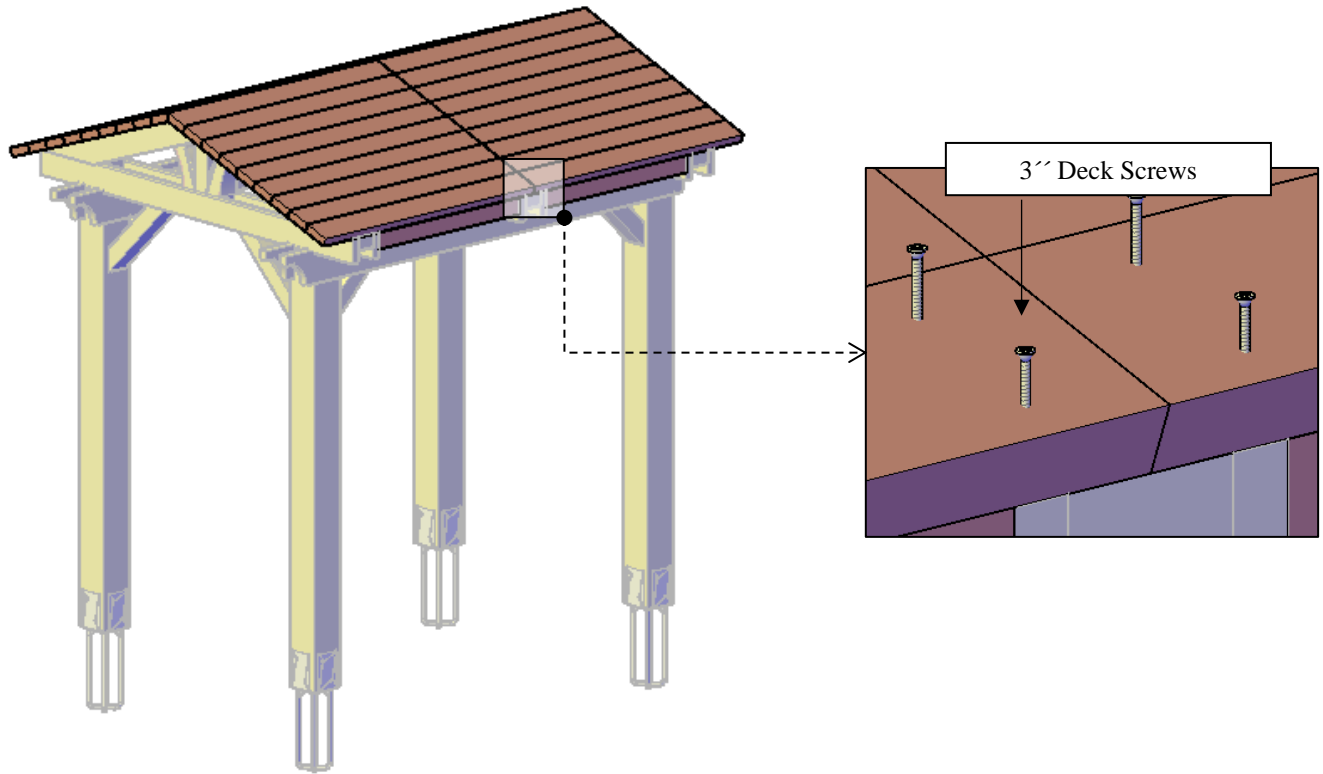
Step 9: Attach the secondary knee braces (6) to the Roof Trusses with 3/8" x 7 1/2" Bolts (B) and to the posts with 3/8" x 9 1/2" bolts (D). Check the marked on each secondary knee braces and place as drawings shown.



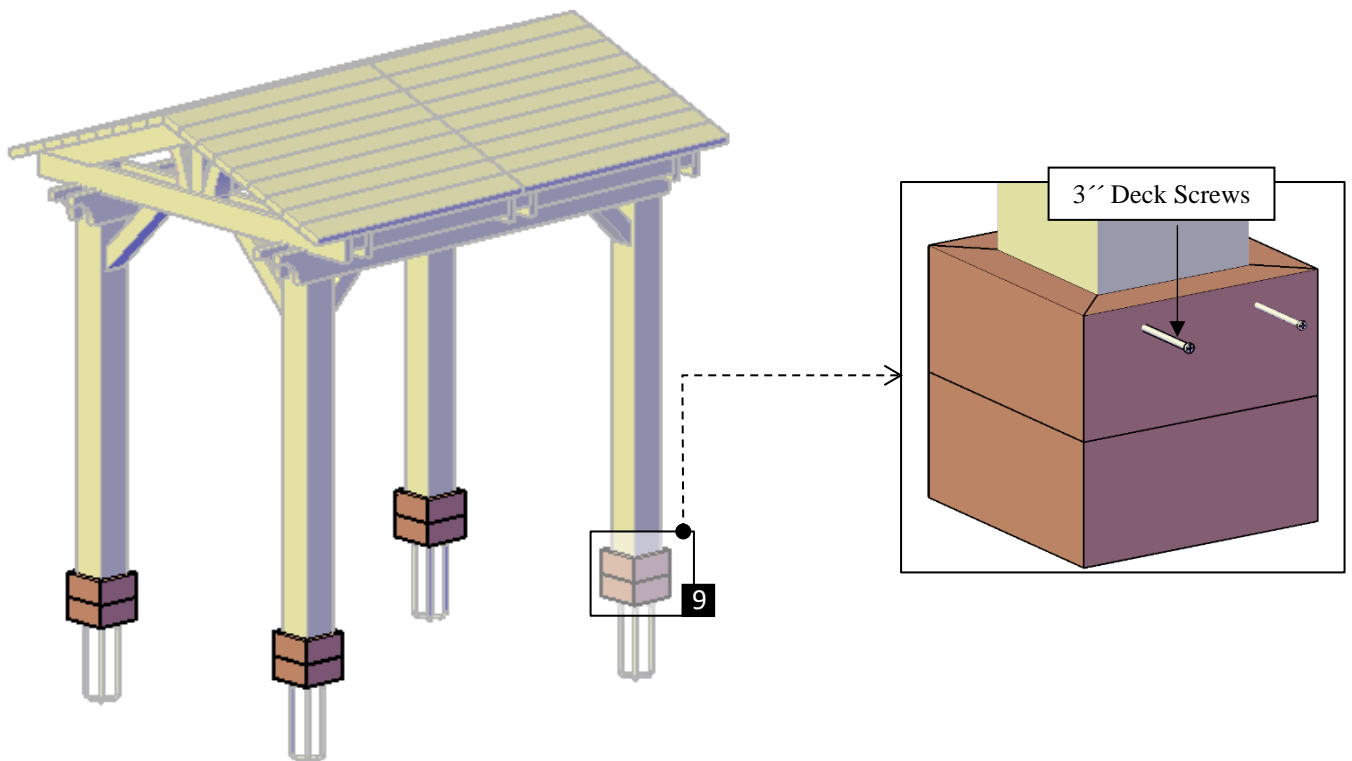
Step 10: Use 3/8" x 9" bolts (E) to attach the roof panels (7) to the perimeter Roof Trusses and 3/8" x 10 1/2" bolts (F) to attach the roof panels (7) to the central Roof Trusses, as shown below. Check the marked on each roof panels and place as drawings shown (PN-1 at PN-4).

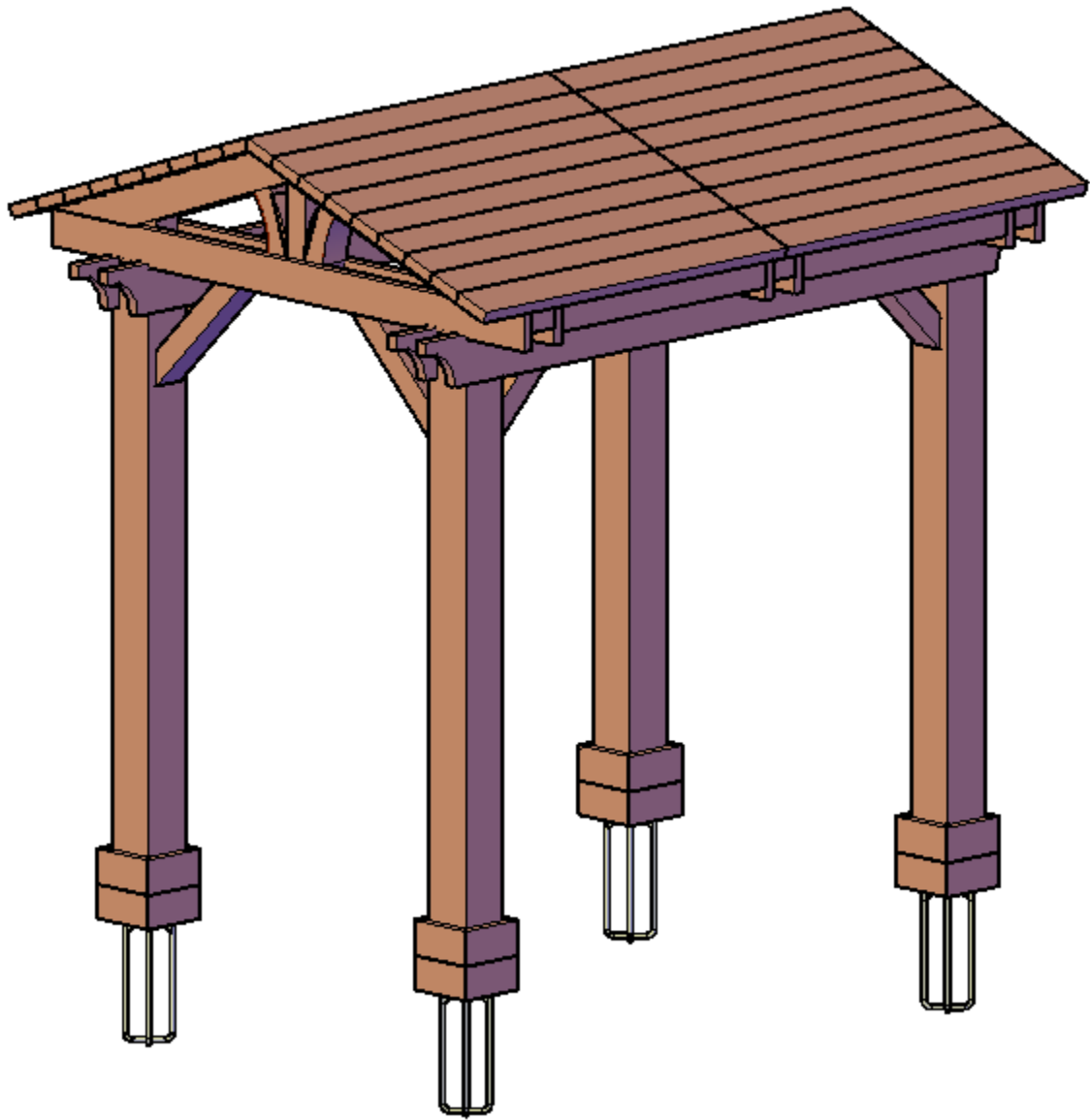


Step 11: Attach the roof boards to the Roof Trusses with 3'' deck screws (G).



Step 12: Finally, attach the boots (9) to each post with 3'' deck screws (G).





This completes the Pavilion Assembly. Hope you enjoy your set for many decades. If you ever have a problem or a question, don't hesitate to call us (866 332 2403) or email us. We are here to support you.