



FOREVER REDWOOD

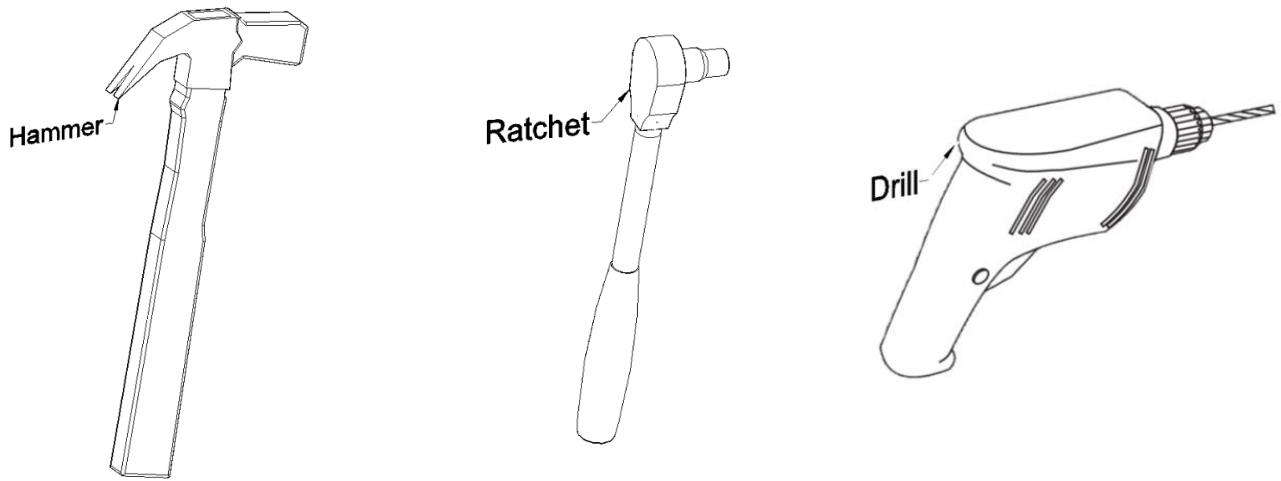
From the Forest, For the Forest since 1995

866.332.2403 (TOLL FREE) (707) 640.29.05 (Option 4) Direct Line for the Design Department; 7am – 7pm Pacific Time, Monday-Saturday

ASSEMBLY INSTRUCTIONS FOR THE CUSTOM TWO-POST ARCHED WOOD ARBOR

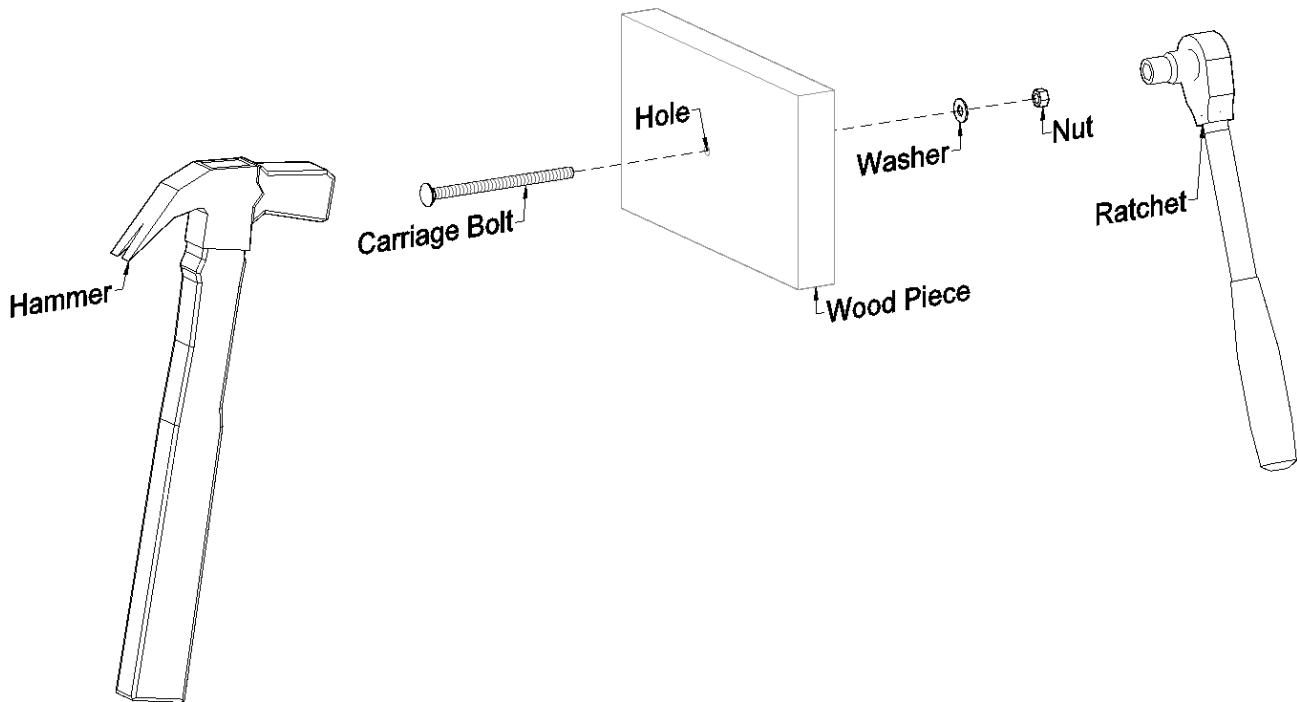


NOTE: Assembly is best done by two people. To assemble your product, you need a Hammer, a Ratch or a wrench and if required a Drill.



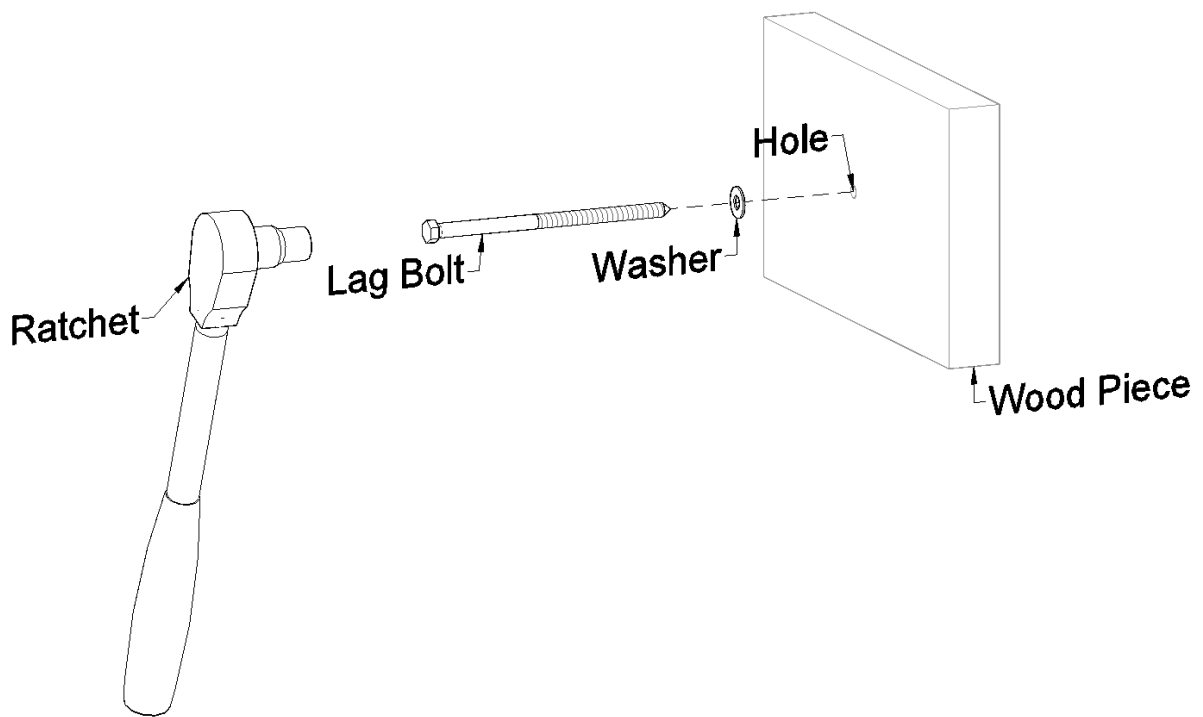
Required Tools (Are not included in your hardware packing).

PROCESS TO INSTALL THE HARDWARE PROVIDED.



To install the bolts.

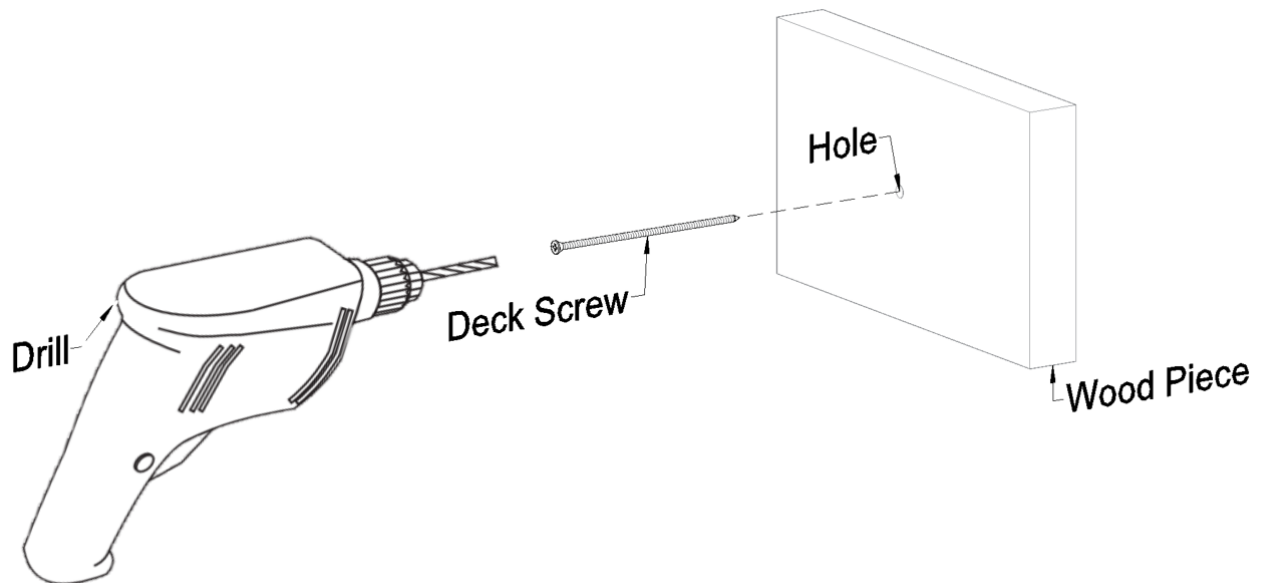
Insert the carriage bolts into the holes and lightly tap with a hammer until the square neck fit in the wood piece and the bolt head must flush with the wood piece. Finally, place the washer and the nut and carefully tighten it using a ratchet with the necessary socket or a wrench.



To install the lag bolts.

Place the washers in their lag bolts. After that, insert the lag bolts into the holes and carefully tighten it using a **ratchet** with the necessary **socket**.



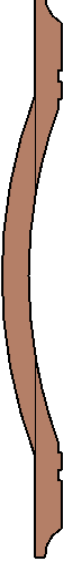
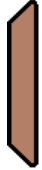
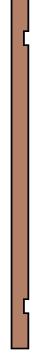

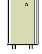
Use the washers only for the Wood Pieces.



To install the deck screws.


Insert the deck screws into the holes and carefully tighten it using a drill.

CONTENT OF BOXES

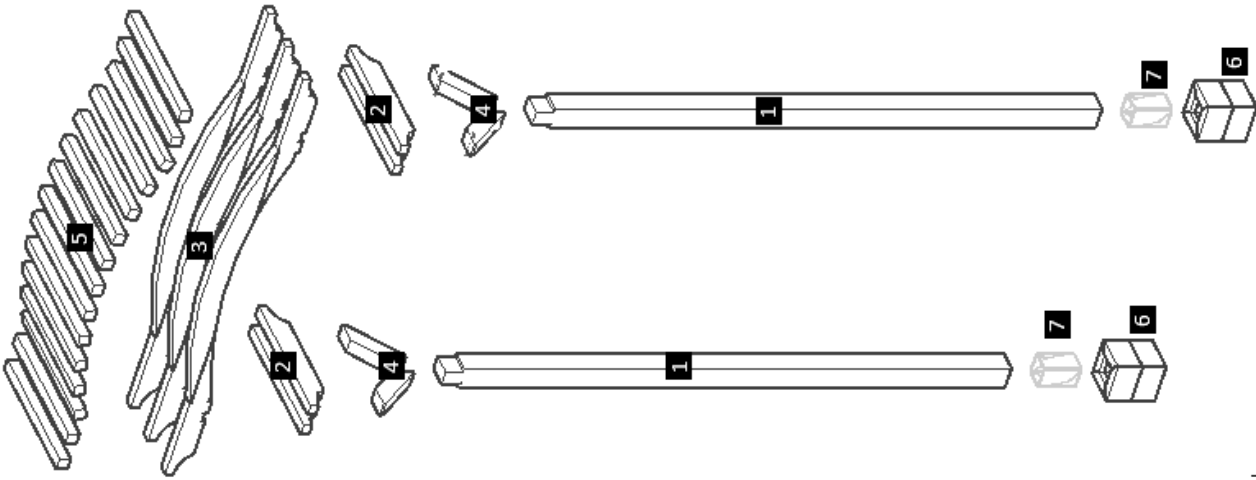
Qty.	Description	Drawing	No.
2	Posts		1
4	Supports		2
3	Arched Rafters		3
4	Main Knee Braces		4
15	Slats		5
2	Boots		6
2	Standard Anchor Base		7

Note: Part numbers in the Content of Boxes Table are for reference only. These do not match to the numbers marked on the parts sent.

HARDWARE LIST

Qty.	Description	Drawing	No.
2	1/2" X 3 1/2" anchor bolts (To attach the anchor bases to the ground).		A
8	5/16" x 3" Lag Bolts (To attach the anchor bases to the posts).		B
8	5/16" x 5 1/2" bolts (To attach the supports to the posts/to attach the knee braces to the supports).		C
2	3/8" x 7 1/2" bolts (To attach the main knee braces to the post).		D
15	5" Deck Screws (To attach each slat to the rafters/to attach the boots to each post).		E
58	3" Deck Screws (To attach each slat to the rafters/to attach the boots to each post).		F
8	3/8" Washers		G
2	3/8" Nuts		H
8	5/16" Washers		I
8	5/16" Nuts		J

Note: Dimensions of your hardware will vary depending on size.



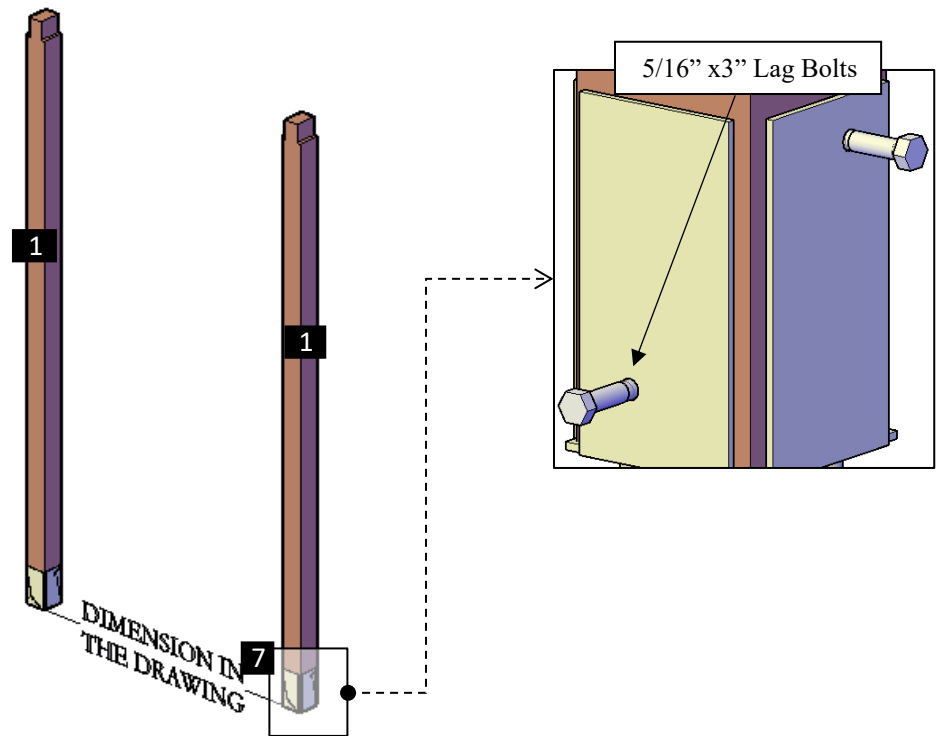
DESCRIPTION	No.
Posts	1
Supports	2
Arched Rafter	3
Main Knee Braces	4
Slats	5
Boots	6
Standard Anchor Base	7

Note: Part numbers in the Drawing are for reference only. These do not match to the numbers marked on the parts sent.

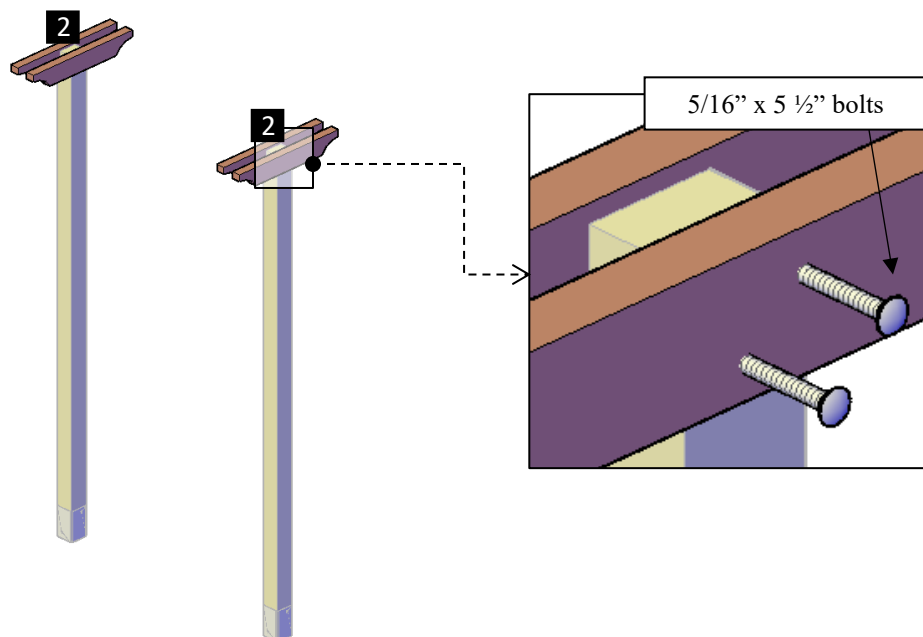
NOTE: In order to know where the post needs to be placed, check the numbers on them. If the post is not marked, then place the single Supports on the ground to locate the markings for each post position and clearly set your bearings. (“Don’t attach yet, only place them on the ground to begin with”).

Note: Before install the anchor bases make sure that the ground is level using a carpenter's level or hydro-level (water level).

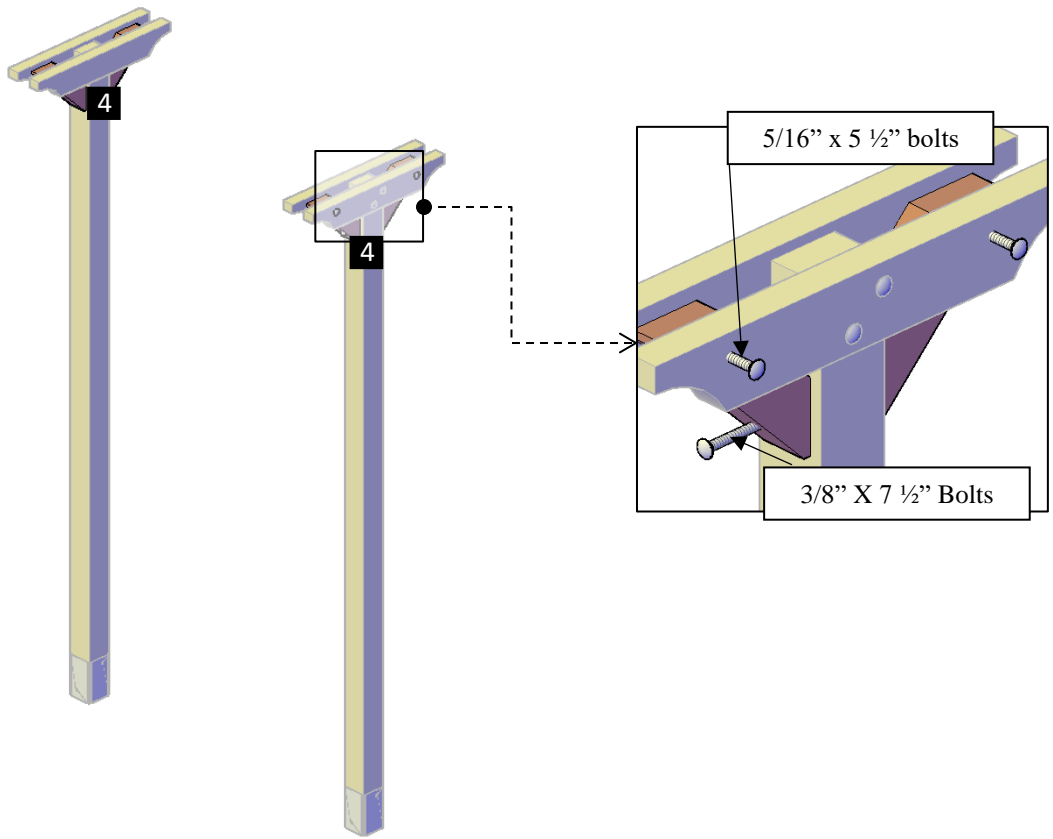
Step 1: Install the anchor bases (14) with 1/2" X 3 1/2" anchor bolts (A). Please see the “How to anchor your pergola document” for all details. Set your post (1) in the saddle of the anchor bases. Drill a ø 1/4" hole in the post prior to anchoring to facilitate the ratcheting of the hardware. After that, use 5/16" X 3" lag bolts (B) to attach each post to its respective anchor base.



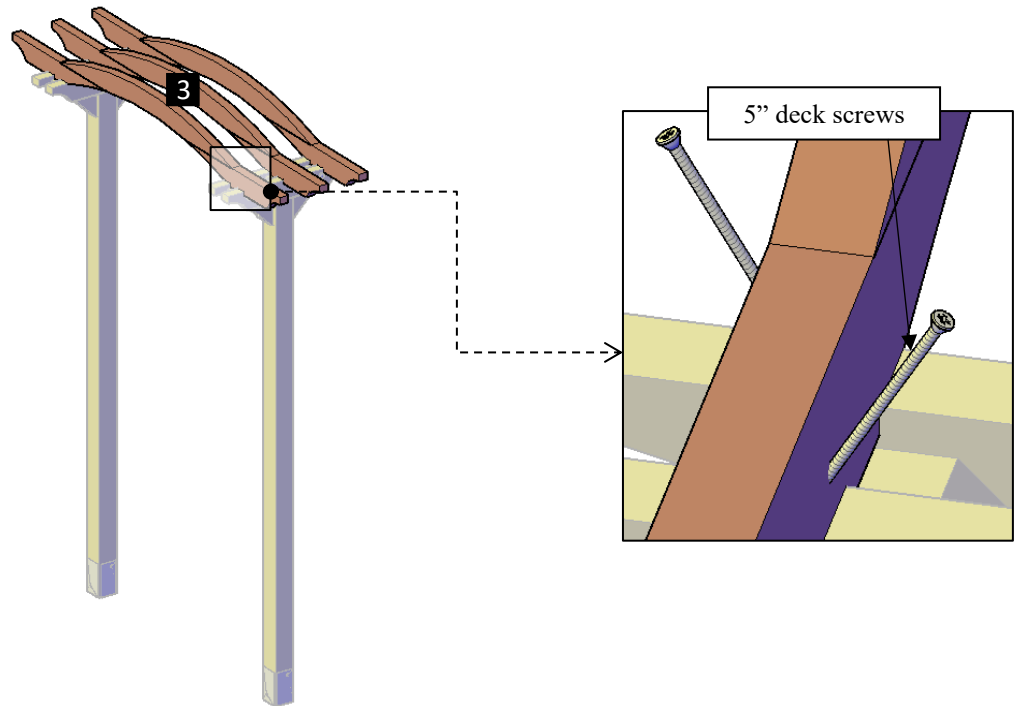
Step 2: Attach the supports (2) to the posts with 5/16" x 5 1/2" bolts (C) with washer and nuts. Check the marked on each support and place as drawings shown.



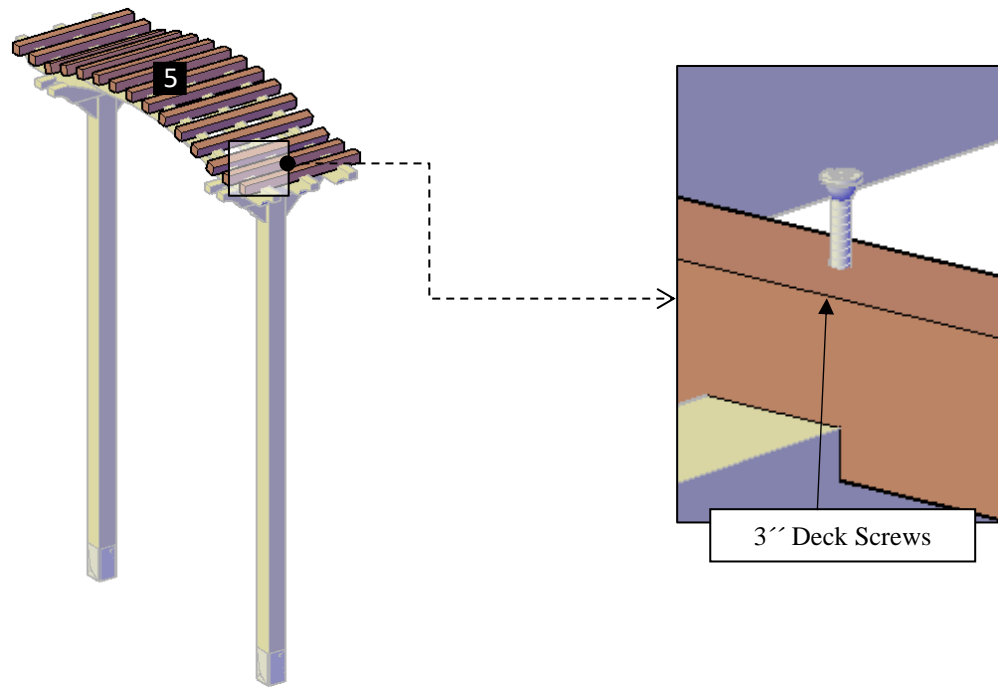
Step 3: Attach the main knee braces (5) to the supports with 5/16" x 5 1/2" bolts (C) and to the posts with 3/8" x 7 1/2" bolts (D) with washer and nuts. Each part has a series of numbers that indicate where to attach the part with the corresponding number.



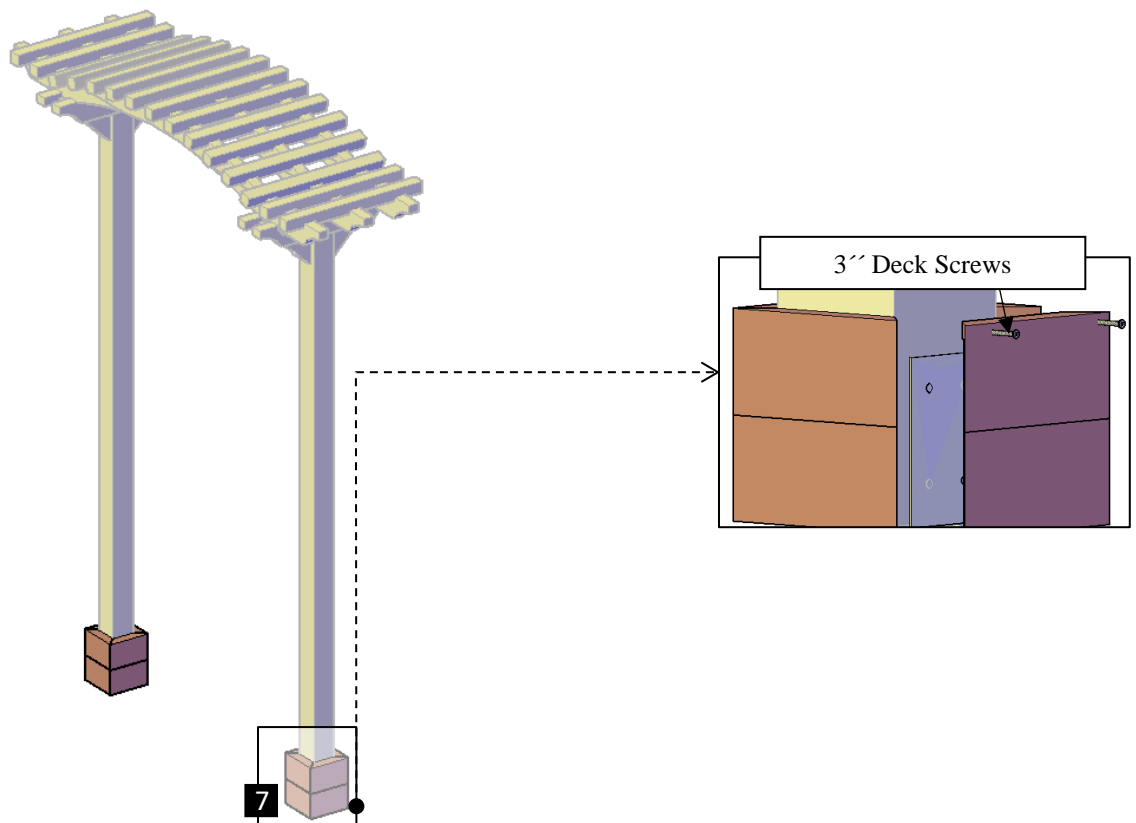
Step 4: Attach the arched rafter (3) to the supports with 5" deck screws (E). Each part has a series of numbers that indicate where to attach the part with the corresponding number.



Step 5: Use 3" deck screws (F) to attach each slat (5) to the arched rafters. Each part has a series of numbers that indicate where to attach the part with the corresponding number.



Step 6: Attach the boots (6) to each post with 3" Deck Screws (F). Each part has a series of numbers that indicate where to attach the part with the corresponding number.





This completes the arbor assembly. Hope you enjoy your set for many decades. If you ever have a problem or a question, don't hesitate to call us (866 332 2403) or email us. We are here to support you.