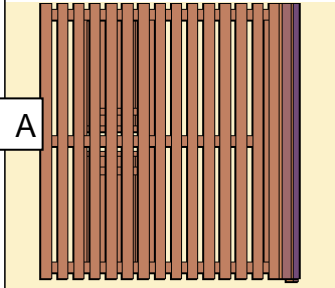
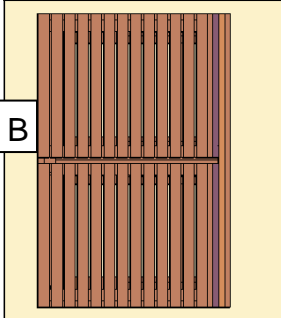


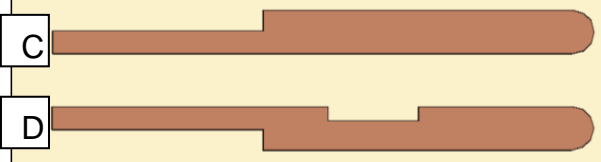
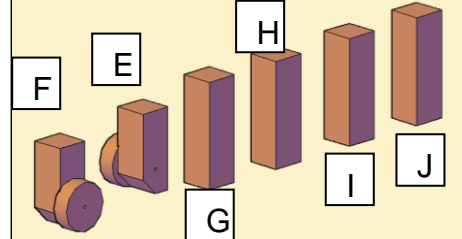
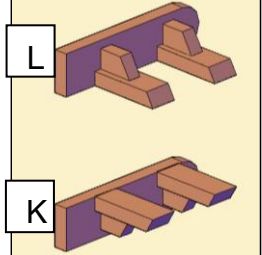
866.332.2403 (Toll Free); 7am-7pm Pacific Time, Monday-Saturday

Assembly instructions for:  
**DOUBLE LAGRANGE CHAISE  
LOUNGERS**



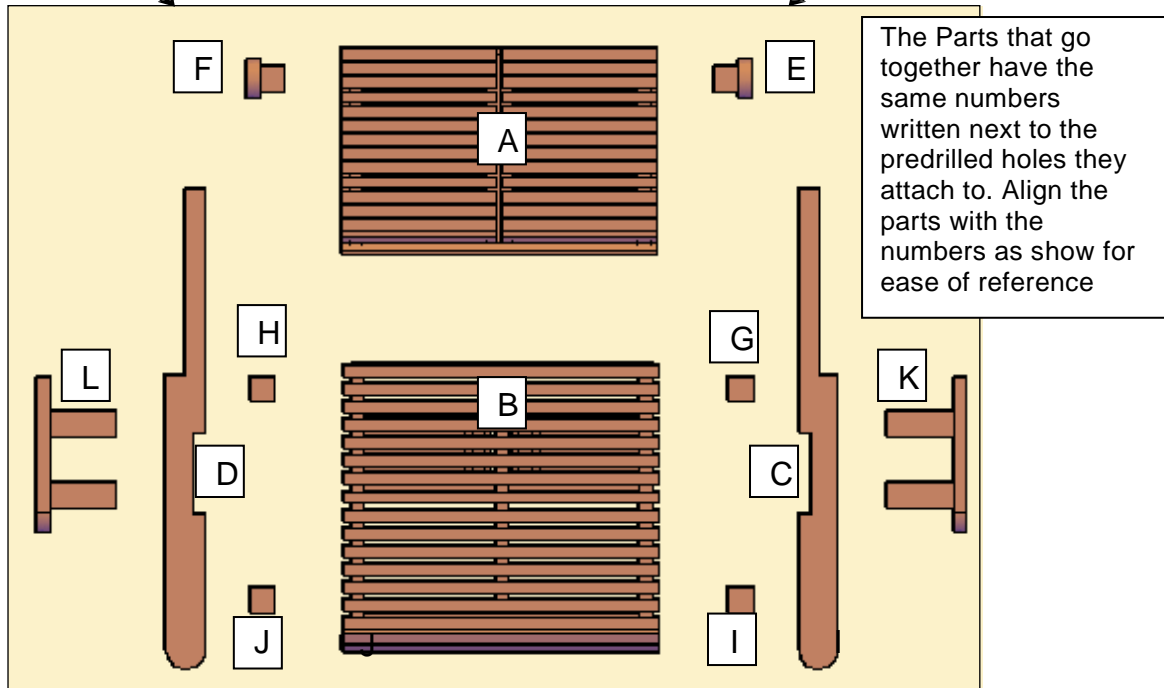
Quantity	Description	Drawing
4	Carriage bolts 5/16" x 3 1/2", Washers and Nuts	
8	Carriage bolts 5/16" x 5 1/2", Washers and Nuts	
2	Carriage bolts 5/16" x 4 1/2", Washers and Nuts	
12	Carriage bolts 3/8" x 7", Washers and Nuts	
1	Seat (A)	

Quantity	Description	Drawing
1	Backrest (B)	

Quantity	Description	Drawing
2	Supports (Right C, left D)	
6	Backrest Legs (E,F), Seat	
2	Assemblies Right Armrest (K) and left Armrest (L)	

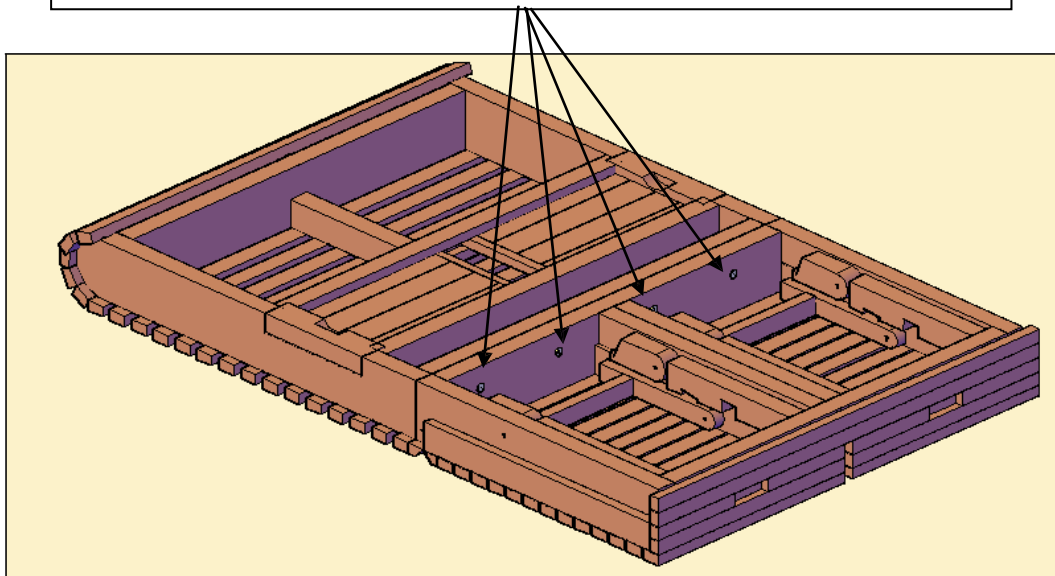
# ASSEMBLY INSTRUCTIONS

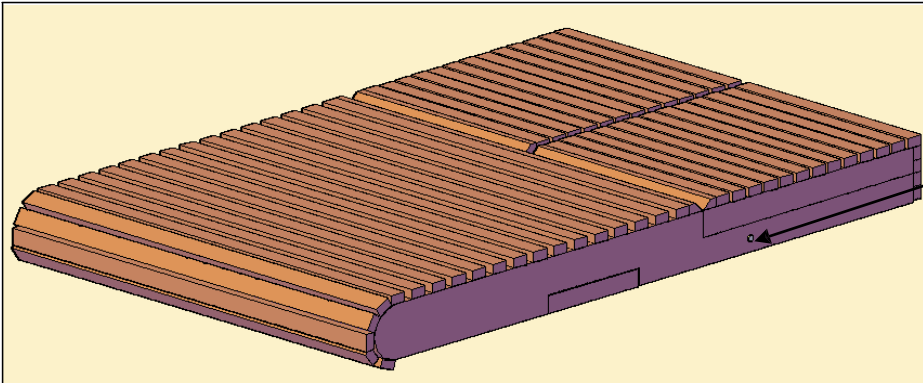
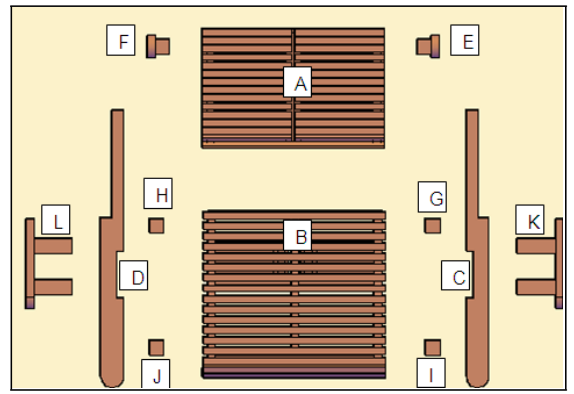
## CONTENT OF THE BOXES



### **STEP 1:**

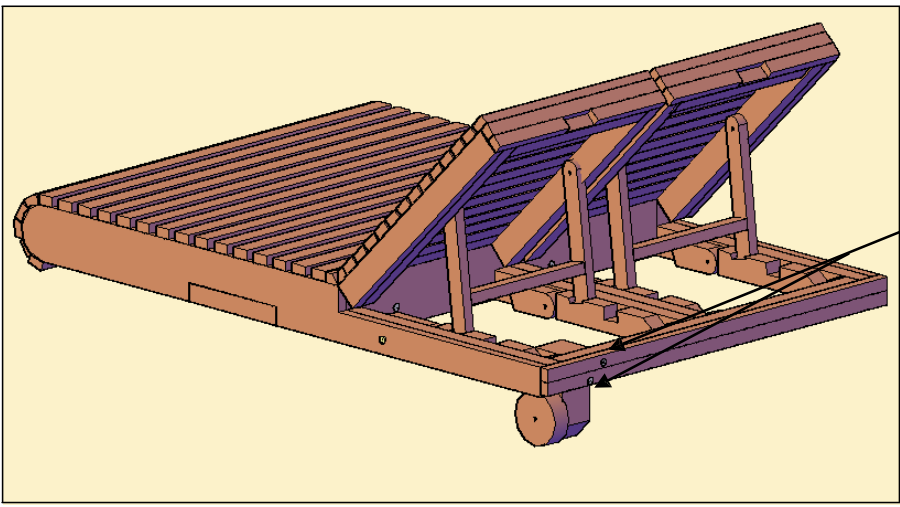
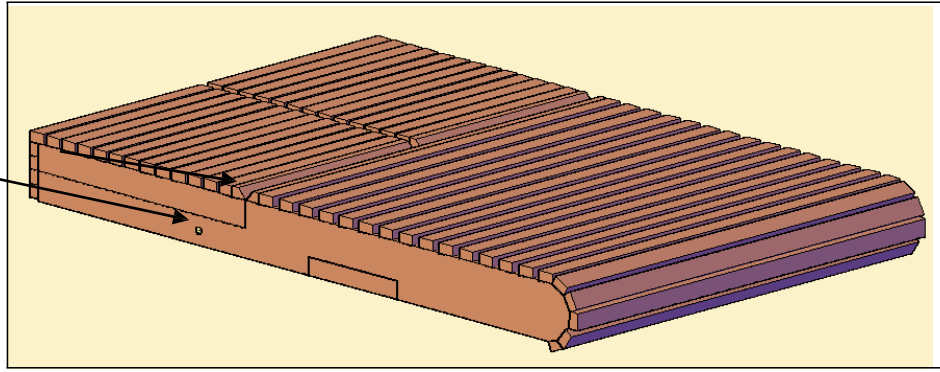
Attach part B (backrest) to part A (seat), with four bolts ( $5/16"$  x  $3\ 1/2"$ ), washers & nuts (into four holes marked "1"). Tap the bolt all the way into the wood to set it. Then add a washer and nut and lightly tighten.





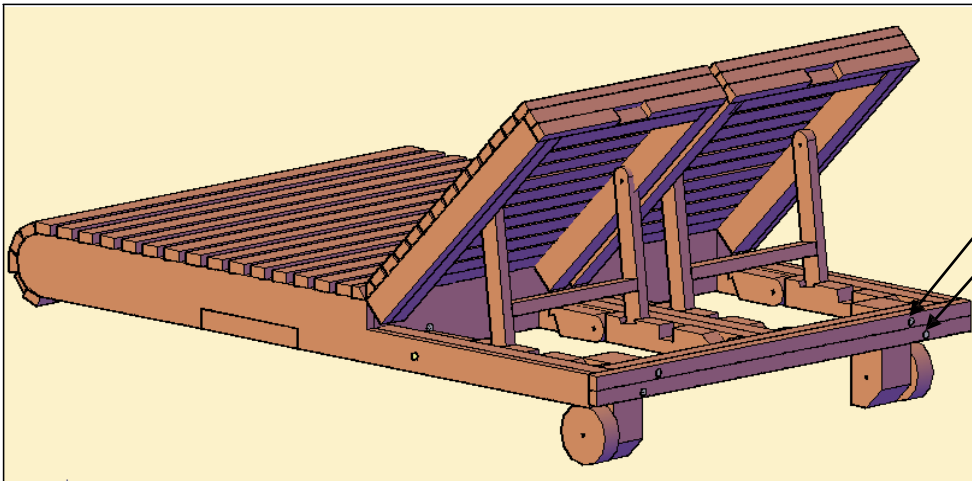
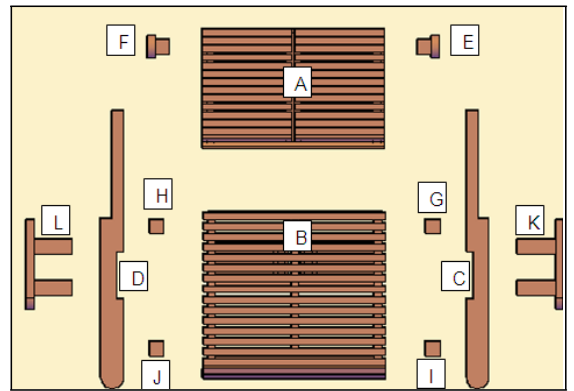
**STEP 2:**  
 Attach part C (right support) to part A (backrest), with one bolt (5/16" x 4 1/2"), washer & nut (into one hole marked "2"). Tap the bolt all the way into the wood to set it. Then add a washer and nut and lightly tighten.

**STEP 3:**  
 Attach part D (left support) to part A (backrest), with one bolt (5/16" x 4 1/2"), washer & nut (into one hole marked "3"). Tap the bolt all the way into the wood to set it. Then add a washer and nut and lightly tighten.

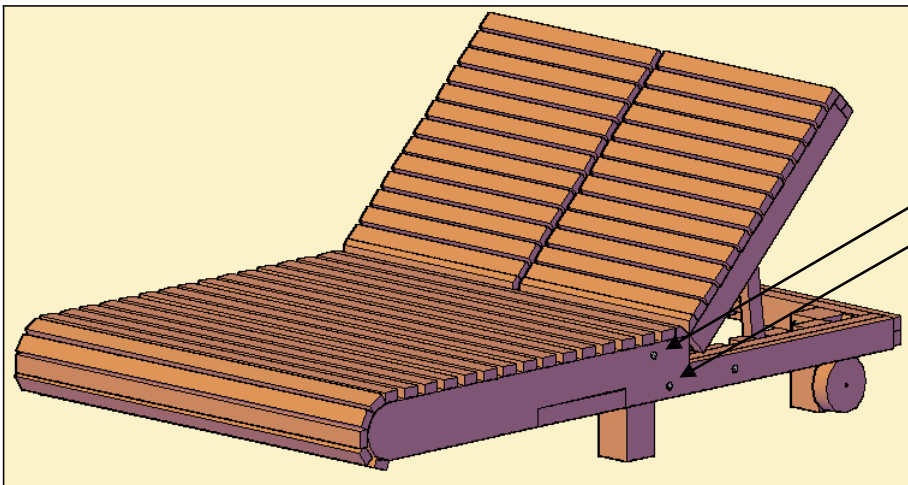


**STEP 4:**  
 Attach part E (backrest leg) to part A (backrest), with two bolts (3/8" x 7"), washers & nuts (into two holes marked "4"). Tap the bolt all the way into the wood to set it. Then add a washer and nut and lightly tighten.



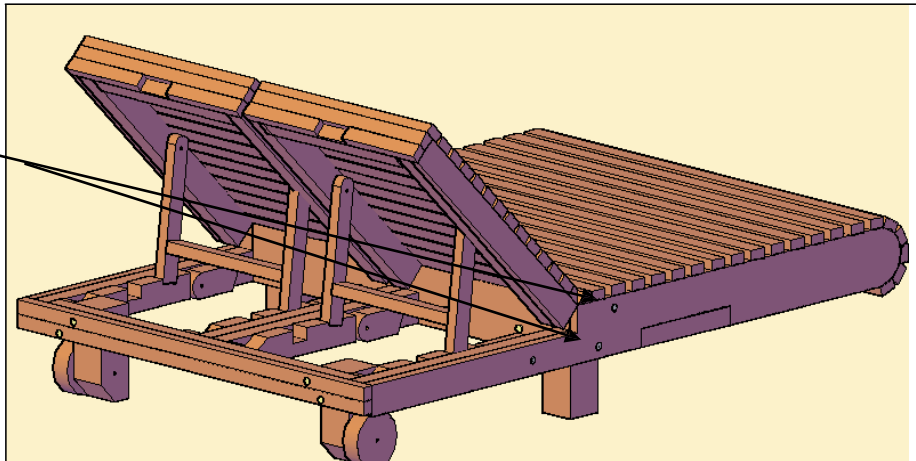


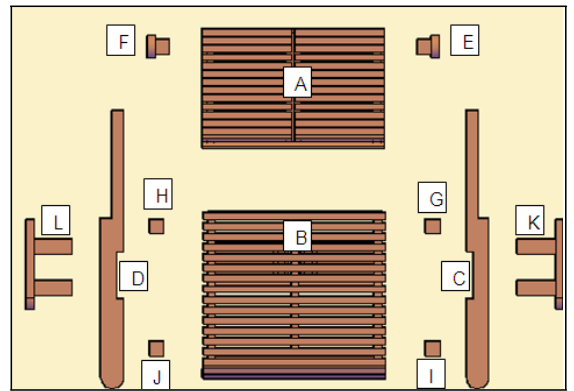
**STEP 5:** Attach part F (Backrest leg) to part A backrest), with two bolts (3/8" x 7"), washers & nuts (into two holes marked "5"). Tap the bolt all the way into the wood to set it. Then add a washer and nut and lightly tighten.



**STEP 6:** Attach part C (right support) to part B & G (seat & seat leg), with two bolts (3/8" x 7"), washers & nuts (into two holes marked "6"). Tap the bolt all the way into the wood to set it. Then add a washer and nut and lightly tighten.

**STEP 7:** Attach part D (left support) to part B & H (seat & seat leg), with two bolts (3/8" x 7"), washers & nuts (into two holes marked "7"). Tap the bolt all the way into the wood to set it. Then add a washer and nut and lightly tighten.



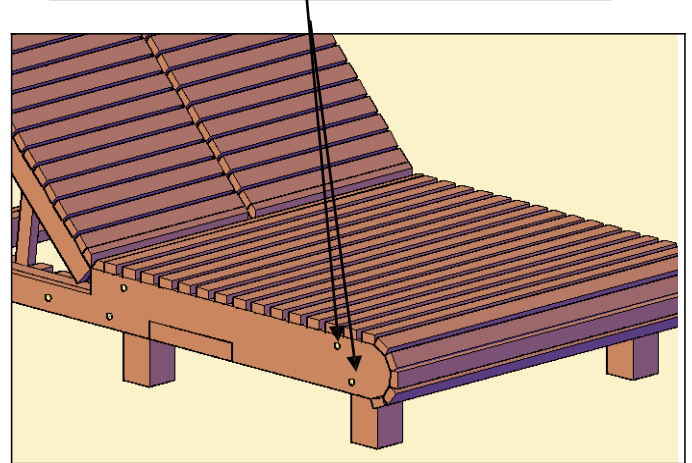
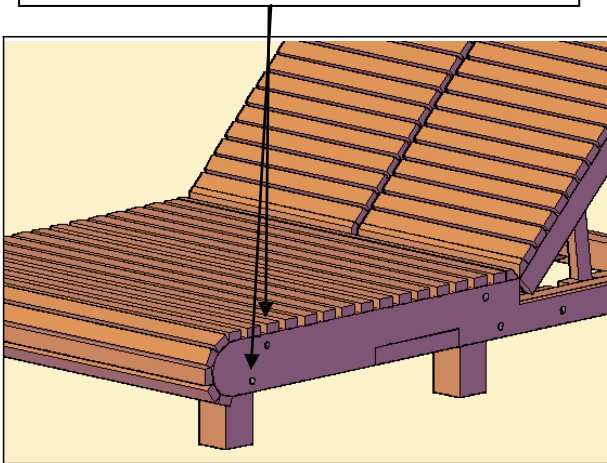


**STEP 8:**

Attach part C (right support) to part B & I (seat & seat leg), with two bolt (3/8" x 7"), washers & nuts (into two holes marked "8"). Tap the bolt all the way into the wood to set it. Then add a washer and nut and lightly tighten.

**STEP 9:**

Attach part D (left support) to part B & J (seat & seat leg), with two bolt (3/8" x 7"), washer & nutt (into two holes marked "9"). Tap the bolt all the way into the wood to set it. Then add a washer her and nut and lightly tighten.



**STEP 10:**

Attach part K (assembly right armrest) to part C (right support), with four bolts (5/16" x 5 1/2"), washers & nuts (into four holes marked "10" & "X"). Tap the bolt all the way into the wood to set it. Then add a washer and nut and lightly tighten.

**STEP 11:**

Attach part L (assembly left armrest) to part D (left support), with four bolts (5/16" x 5 1/2"), washers & nuts (into four holes marked "11" & "X"). Tap the bolt all the way into the wood to set it. Then add a washer and nut and lightly tighten.

